

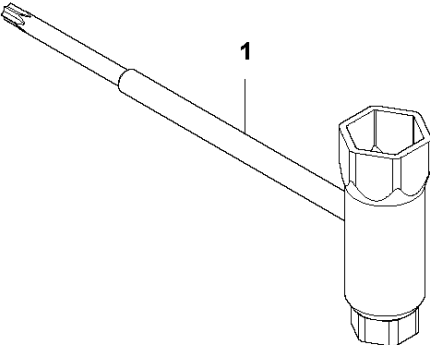


# SPARE PARTS LIST

POWER CUTTERS

K6500, 2012-10

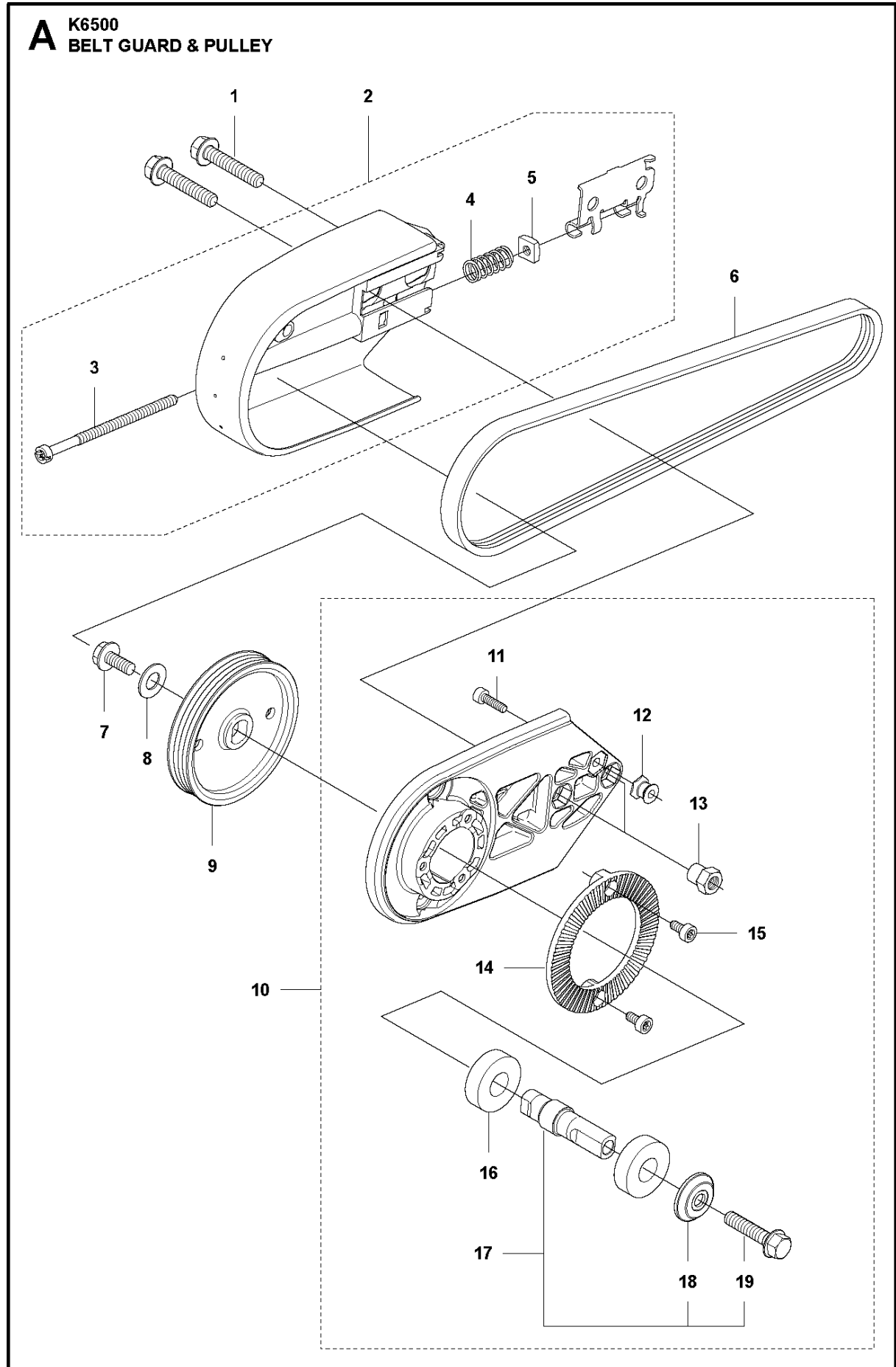
**F** K6500  
ACCESSORIES



## ACCESSORIES

K6500, 2012-10

Ref	Part No	Description	Remark	QTY KIT
1	506 38 26-01	TOOL	Torx 27	1

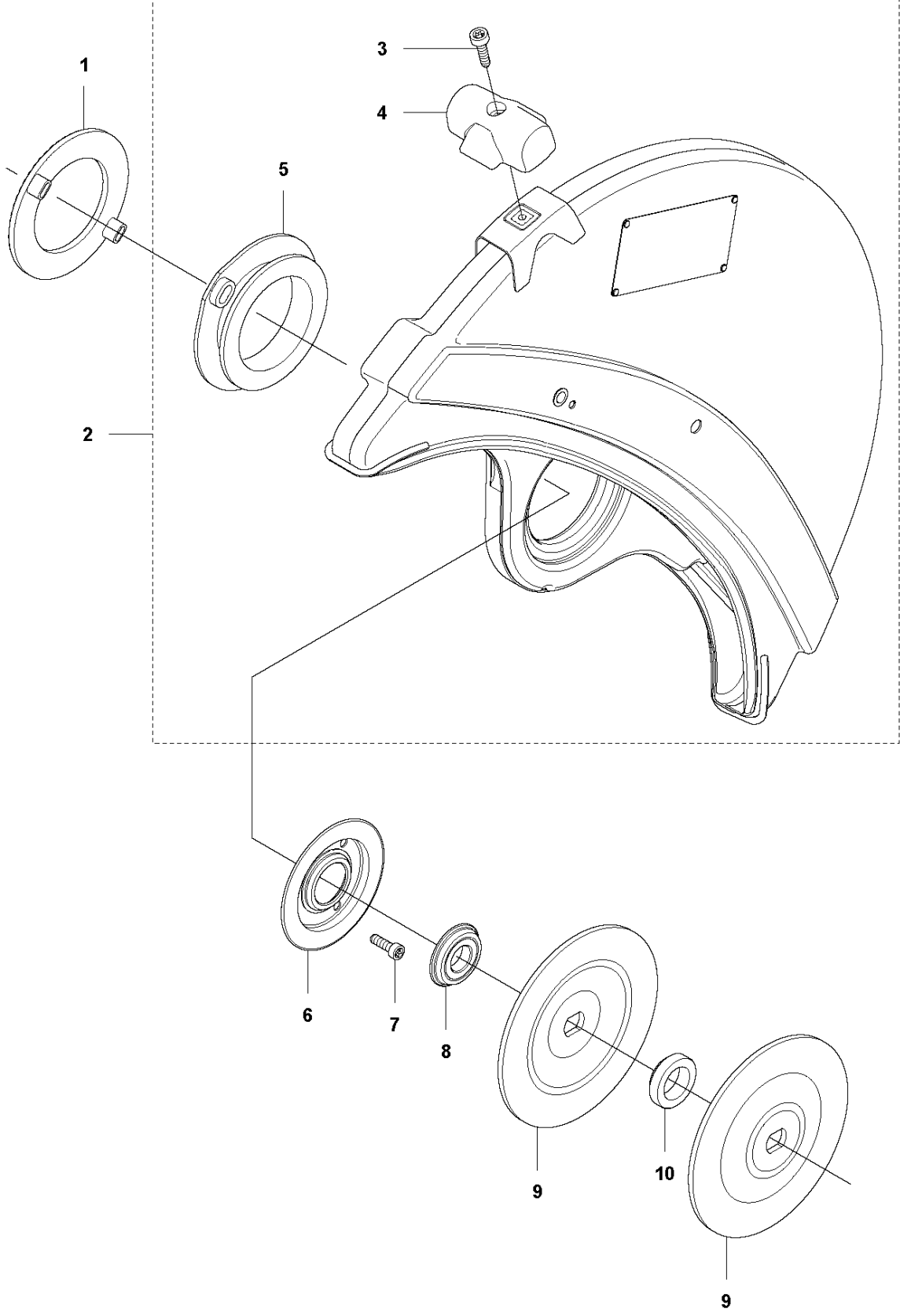


## BELT GUARD &amp; PULLEY

K6500, 2012-10

Ref	Part No	Description	Remark	QTY KIT
1	506 28 44-01	SCREW EHHFM		2
2	506 39 36-02	BELT GUARD	Incl. 4-6	1
3	503 20 72-05	SCREW CITXSCM		1
4	506 26 68-01	COMPRESSION SPRING		1
5	506 40 93-01	NUT		1
6	544 97 63-06	BELT		1
7	503 20 00-45	SCREW EHHFM		1
8	503 23 01-16	WASHER		1
9	525 80 44-01	PULLEY		1
10	574 30 01-01	CUTTER HEAD	Incl. 11-19	1
11	505 57 41-16	SCREW ITXSCM		1
12	506 14 32-01	TORSION STOP		1
13	506 28 73-01	NUT		2
14	506 28 84-01	SCREEN		1
15	503 21 53-10	SCREW ITXSCM		2
16	583 95 33-01	BALL BEARING		2
17	506 29 83-65	SHAFT	Incl. 18-19	1
18	506 13 95-11	WASHER		1
19	506 13 96-01	SCREW EHHFM		1

**B** K6500  
GUARDS

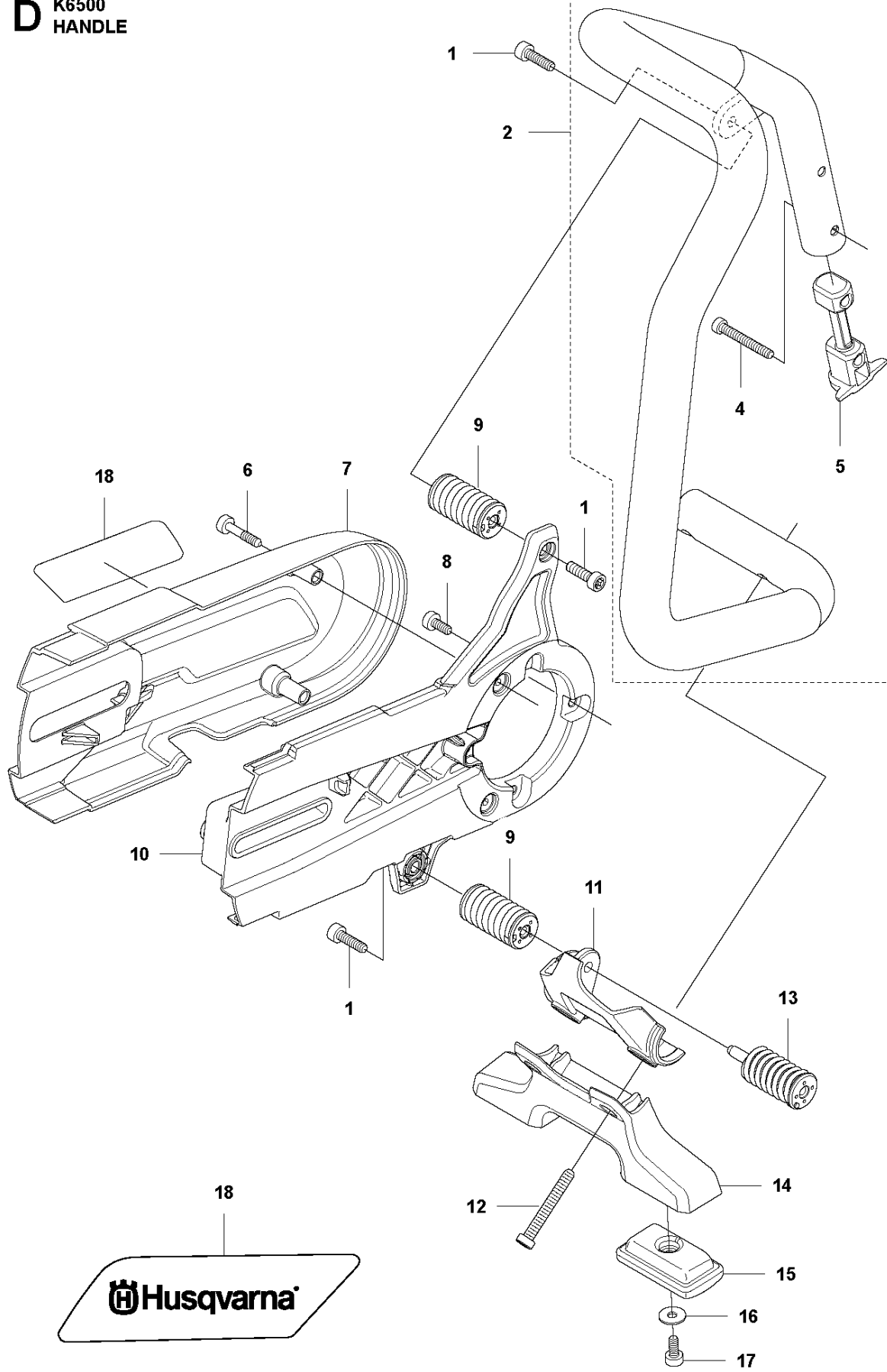


## GUARDS

K6500, 2012-10

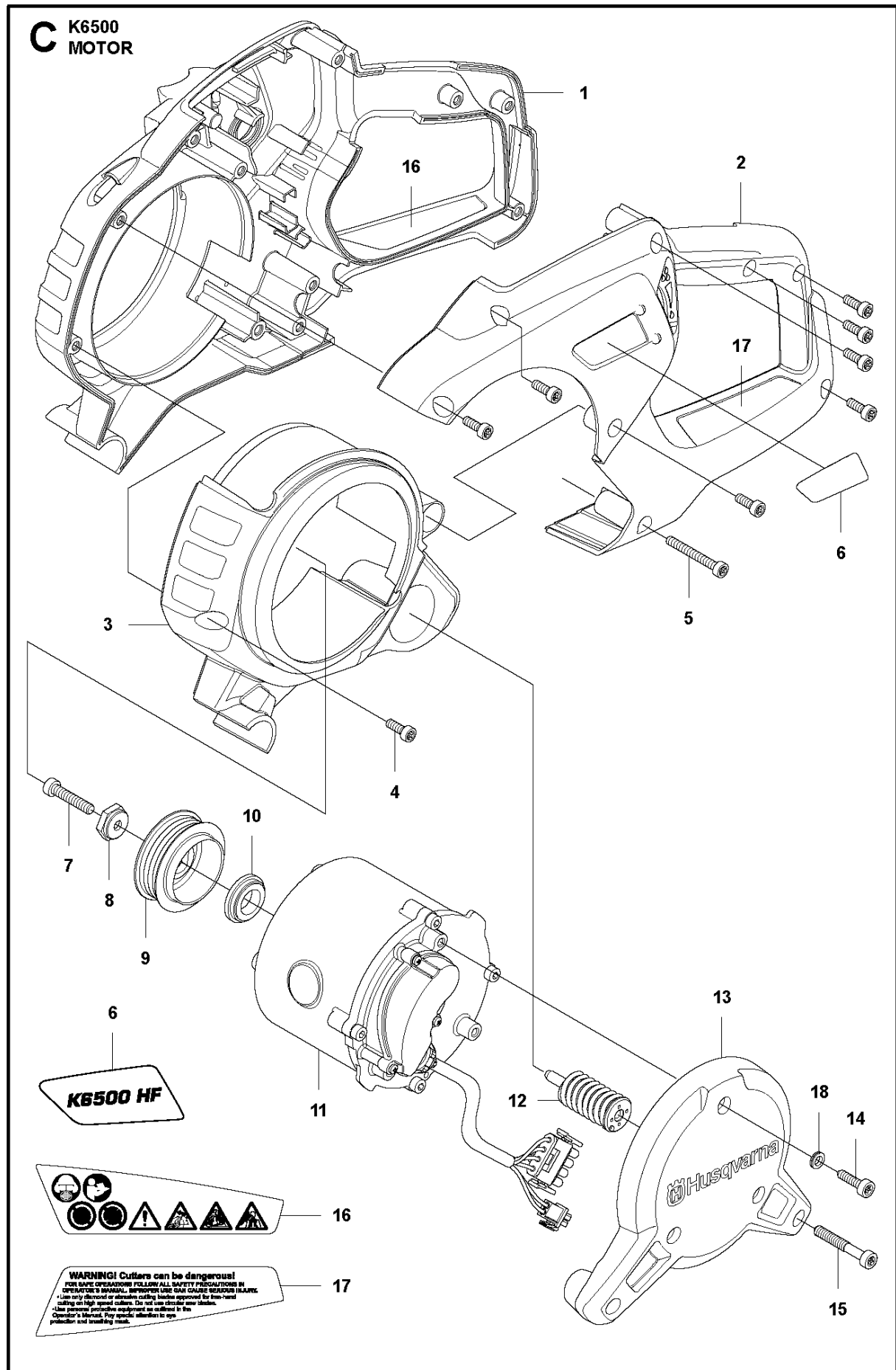
Ref	Part No	Description	Remark	QTY KIT
1	506 26 64-01	SCREEN		1
2	506 34 05-46	WHEEL GUARD	Incl. 3-5	1
3	503 21 53-20	SCREW ITXSCM		1
4	506 34 46-02	HANDLE		1
5	506 26 63-02	LINING		1
6	506 26 65-01	FLANGE		1
7	505 57 41-16	SCREW ITXSCM		3
8	506 32 48-01	SUPPORT FLANGE		1
9	506 02 87-01	FLANGE WASHER	Diam 105	2
9	506 07 09-01	FLANGE WASHER	Diam 119	2
10	506 37 96-25	KIT	Diam 25,4	1
10	506 02 88-30	BUSHING	Diam 30,5	1

**D** K6500  
HANDLE





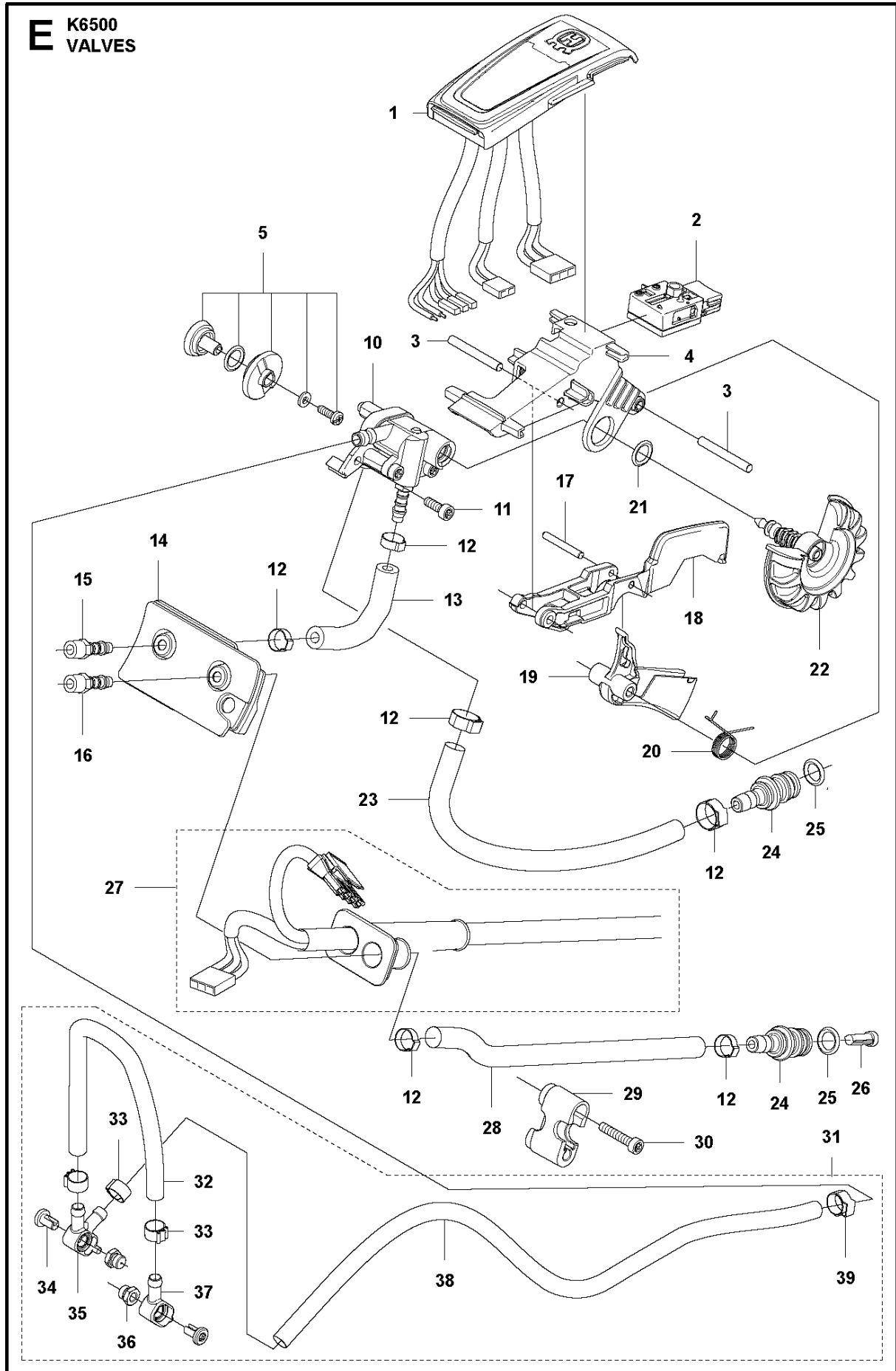
Ref	Part No	Description	Remark	QTY KIT
1	544 21 84-20	SCREW ITXSCM		3
2	581 80 26-01	FRONT HANDLE ASSY	Inkl. 3-5	1
4	504 90 94-40	SCREW ITXSCT		2
5	575 29 58-01	PLUG		1
6	503 21 53-26	SCREW ITXSCM		2
7	525 34 13-01	BELT GUARD		1
8	503 21 53-12	SCREW ITXSCM		4
9	575 41 22-01	ANTIVIBRATION ELEMENT		2
10	525 33 94-01	CHASSIS		1
11	586 42 61-01	BRACKET		1
12	503 21 54-45	SCREW ITXSCT		2
13	537 21 03-11	ANTIVIBRATION ELEMENT		1
14	575 55 03-01	GROUND SUPPORT		1
15	544 81 16-01	BASE		2
16	734 11 47-41	WASHER		2
17	503 21 53-12	SCREW ITXSCM		2
18	575 62 85-01	DECAL		1



## MOTOR

K6500, 2012-10

Ref	Part No	Description	Remark	QTY KIT
1	574 84 49-02	HANDLE HALF		1
2	574 84 50-02	HANDLE HALF		1
3	529 27 95-02	MOTOR HOUSING		1
4	504 90 94-14	SCREW ITXSCT		8
5	504 90 94-40	SCREW ITXSCT		1
6	575 62 84-01	DECAL		1
7	544 21 84-30	SCREW ITXSCM		1
8	504 03 83-01	SPACING SLEEVE		1
9	580 88 25-01	DRIVING PULLEY		1
10	506 20 27-02	SUPPORT FLANGE		1
11	574 17 04-02	MOTOR		1
12	537 21 03-04	ANTIVIBRATION ELEMENT		1
13	529 29 12-01	MOTOR COVER		1
14	503 21 53-26	SCREW ITXSCM		3
15	544 21 84-40	SCREW ITXSCM		2
16	581 16 61-01	DECAL		1
17	581 16 60-01	DECAL		1
18	503 23 04-02	WASHER		3



## VALVES

K6500, 2012-10

Ref	Part No	Description	Remark	QTY KIT
1	585 41 21-01	DISPLAY		1
2	525 39 64-01	TRIGGER SWITCH		1
3	720 13 18-06	PARALLEL PIN		2
4	524 42 90-01	CONSOLE		1
5	585 43 90-03	SPINDLE		1
10	522 96 02-01	VALVE		1
11	504 90 94-14	SCREW ITXSCT		1
12	576 12 97-01	HOSE CLAMP		6
13	580 66 81-01	HOSE		1
14	575 29 54-01	GROMMET		1
15	586 99 21-02	HOSE NIPPLE		1
16	586 99 21-01	HOSE NIPPLE		1
17	720 12 76-06	PARALLEL PIN		1
18	574 82 49-01	TRIGGER LOCKOUT		1
19	522 99 72-01	TRIGGER		1
20	574 35 42-02	TORSION SPRING		1
21	740 43 03-00	O-RING		1
22	525 52 20-01	VALVE SPINDLE		1
23	506 60 75-07	HOSE		1
24	506 28 91-03	NIPPLE		2
25	505 10 35-01	O-RING		2
26	506 29 88-01	FILTER		1
27	522 93 61-01	CABLE ASSY		1
28	506 60 75-02	HOSE		1
29	525 32 28-01	CLIP		1
30	504 90 94-25	SCREW ITXSCT		1
31	505 09 54-06	HOSE KIT	Incl. 32-38	1
32	506 60 68-03	HOSE		1
33	506 49 87-01	HOSE CLAMP		3
34	504 63 46-01	SCREW ITXSCT		2
35	504 63 44-01	HOUSING		1
36	504 63 42-01	NIPPLE		2
37	504 63 45-01	HOUSING		1
38	506 60 68-16	HOSE		1
39	506 49 87-01	HOSE CLAMP		1