



## DS 40 Gyro

Reservdelar

Spare parts

Ersatzteile

Pieces de rechange

Piezas de repuesto

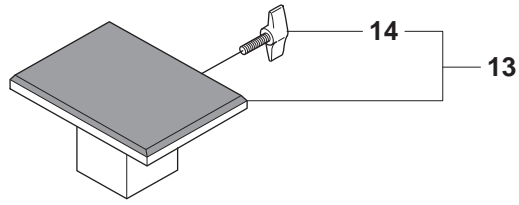
Ricambi

Peças sobresselente

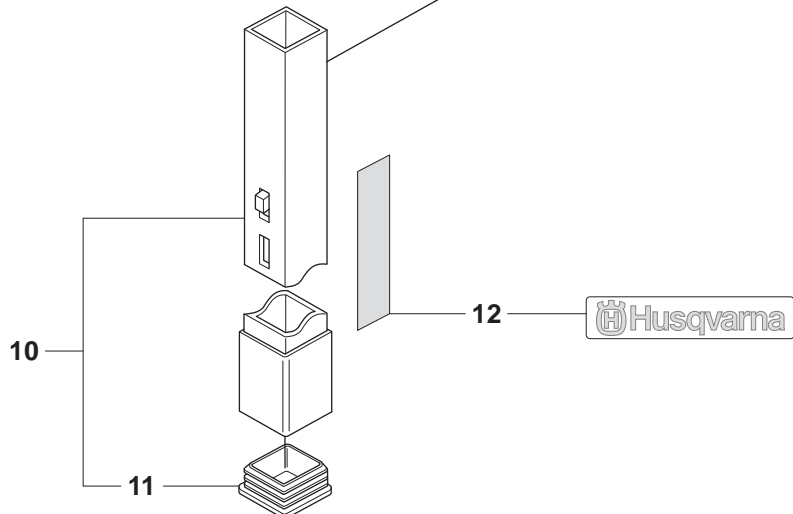
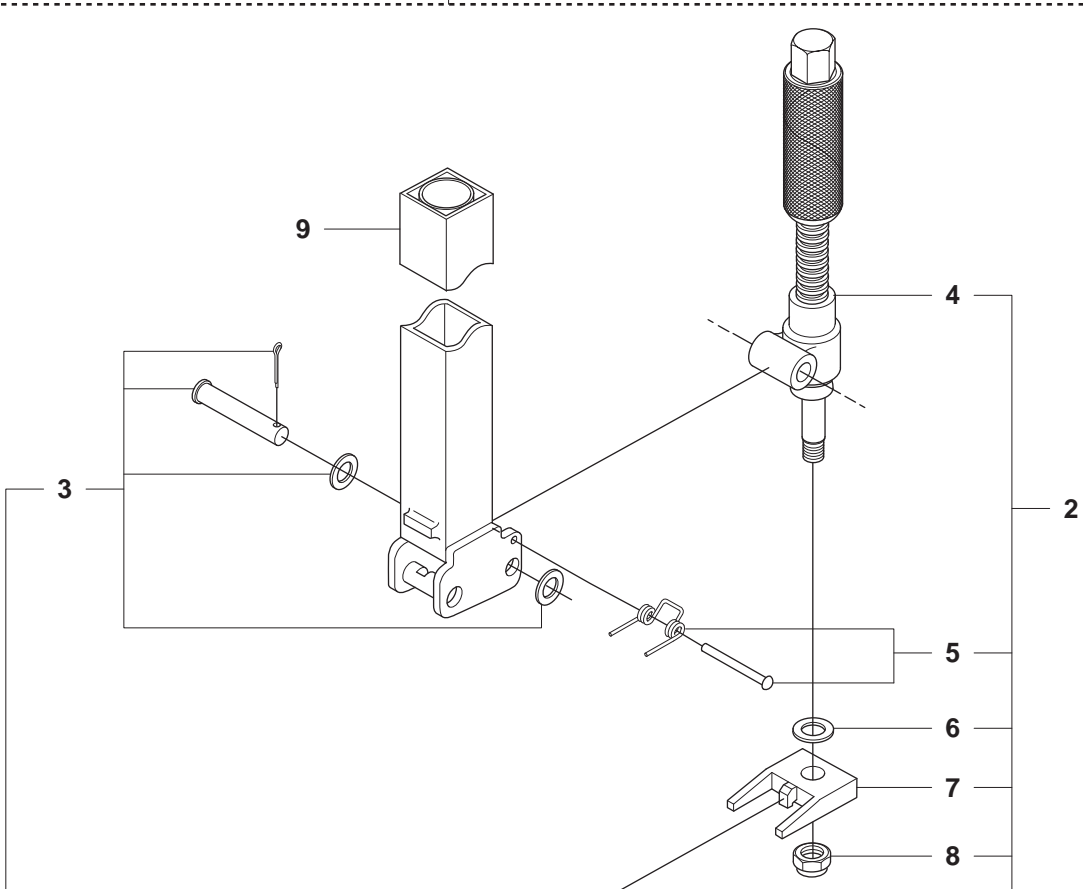


No.	Pos.	Description	No.	Pos.	Description
501 38 01-01	DG	NUT	531 14 06-86	EF	SCREW
501 38 46-03	DH	HANDLE CPL	531 14 06-87	E	KNOB
501 38 47-01	DH	SPRING	531 14 07-10	F	MOTOR MOUNT
501 38 60-01	DH	SCREW	531 14 07-11	F	SCREW
504 01 81-01	DH	HANDLE	531 14 07-12	F	WASHER
504 02 06-02	G	SHAFT HOLDER	531 14 07-13	F	WASHER
504 02 06-04	B	SHAFT HOLDER	531 14 07-14	F	SCREW
504 02 10-01	E	DECAL	531 14 07-22	DG	WASHER
504 02 10-02	AG	DECAL	531 14 07-23	G	SCREW
504 02 10-04	B	DECAL	531 14 07-28	BG	WHEEL CPL
504 02 31-01	D	SLEEVE INNER	531 14 07-30	BG	COVER PLATE
504 02 33-01	D	RETAINER	531 14 07-62	J	L ALLEN KEY 8MM
506 40 05-02	A	PIPE INNER	531 14 07-72	AG	PLUG
506 40 05-04	H	EXT. POLE 40 INNER ASSY	531 14 07-74	B	BASE PLATE 40T
506 40 06-06	C	ADJUSTMENT SCREW CPL.	531 14 07-75	D	WASHER
506 40 06-08	C	ADJUSTMENT SCREW	531 14 07-79	E	DRILL CARRIAGE 40X1
506 40 08-02	F	KEYSET CPL	531 14 07-80	A	FORK
506 40 08-03	F	MOTOR MOUNT 50 ASSY	531 14 07-87	DG	WASHER
506 40 08-04	F	MOTOR MOUNT 50 CPL	531 14 07-89	D	HANDLE
506 40 08-05	F	MOTOR MOUNT 40 ASSY	531 14 07-90	D	SHAFT
506 40 11-01	C	DRILL RACK DS40 CPL	531 14 07-92	C	SCREW
506 40 11-02	C	DRILL RACK DMS CPL	531 14 07-99	D	WASHER
506 40 14-03	A	BOLT KIT	531 14 08-00	D	SCREW
506 40 14-04	A	BOLT KIT	531 14 08-04	E	SCREW
506 40 16-02	D	HANDLE CPL	531 14 08-05	E	BUSHING
506 40 17-02	E	SHAFT CPL	531 14 08-09	F	SCREW
506 40 18-02	D	RETAINING RING	531 14 08-10	F	BRACKET MOTOR MOUNT
506 40 19-01	E	BUSHING KIT	531 14 08-13	A	PIPE OUTER
506 40 20-01	E	HANDLE	531 14 08-15	G	ADJUSTMENT SCREW
506 40 22-03	G	RETAINER CPL	531 14 08-16	G	SCREW
506 40 76-09	G	SHAFT HOLDER WITH WHEEL	531 14 08-17	G	BASE PLATE 40AT
506 40 76-11	B	SHAFT HOLDER WITH WHEEL	531 14 08-18	G	SHAFT
506 40 77-13	DH	ADJUSTABLE LEVER CPL	531 14 08-29	H	EXT. POLE OUTER
506 40 79-04	B	BASE PLATE 40T NO WHEEL	531 14 08-31	H	SCREW
506 40 79-05	G	BASE PLATE 40AT NO WHEEL	531 14 08-65	F	BRACKET MOTOR MOUNT
506 40 80-11	B	BASE PLATE 40T ASSY	531 14 08-84	G	RETAINER
506 40 80-12	G	BASE PLATE 40AT ASSY	531 14 08-85	G	SCREW
506 40 81-06	A	ADJUSTER CPL	544 12 85-01	D	DECAL
506 40 81-08	A	ADJUSTER	544 12 85-03	E	DECAL
506 40 83-06	A	EXPANDABLE COLUMN ASSY	544 21 89-02	E	HANDLE
506 40 84-07	A	TOP SUPPORT CPL	544 22 27-01	J	SPANNER 30MM
506 40 85-06	H	EXT. POLE 40 OUTER ASSY	544 22 27-02	J	SPANNER 24MM
506 40 86-03	J	TOOL KIT CPL	544 23 56-02	DH	SCREW CPL
506 40 88-05	C	DRILL RACK DS40 ASSY	544 27 98-01	J	L ALLEN KEY 6MM
506 40 88-06	C	DRILL RACK DMS ASSY	544 34 97-02	D	RETAINER
506 40 89-03	E	BUSHING KIT	544 34 97-02	D	RETAINER
506 40 90-09	E	DRILL CARRIAGE 40X1 ASSY	544 34 97-02	D	RETAINER
506 40 91-05	D	GYRO UNIT 40 ASSY			
531 14 06-02	AB	WING SCREW			
531 14 06-00	D	NUT			
531 14 06-11	E	WASHER			
531 14 06-13	A	WASHER			
531 14 06-14	A	NUT			
531 14 06-19	B	SCREW			
531 14 06-20	H	PLUG			
531 14 06-27	BG	WASHER			
531 14 06-30	EF	NUT			
531 14 06-43	B	KNOB			
531 14 06-44	C	NUT			
531 14 06-46	J	ANCHOR BOLT HOLDER			
531 14 06-59	E	SCREW			
531 14 06-70	D	SCREW			
531 14 06-72	E	KNOB			
531 14 06-73	E	SPRING			
531 14 06-74	F	WEDGE			
531 14 06-81	F	SCREW			
531 14 06-82	E	HANDLE			
531 14 06-83	EF	NUT			
531 14 06-84	E	SLEEVE			
531 14 06-85	E	SCREW			

**A** DS40 GYRO  
EXPANDABLE COLUMN



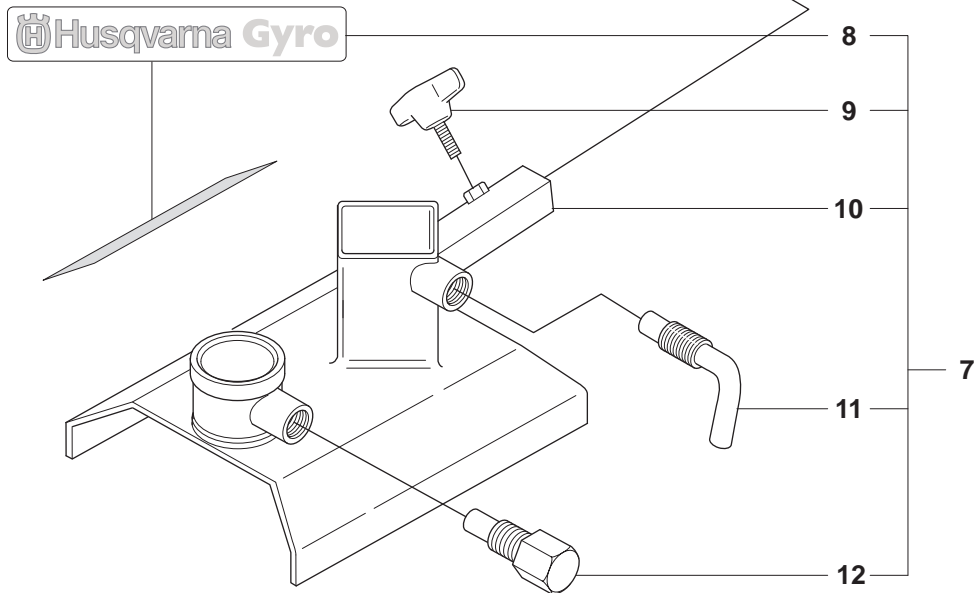
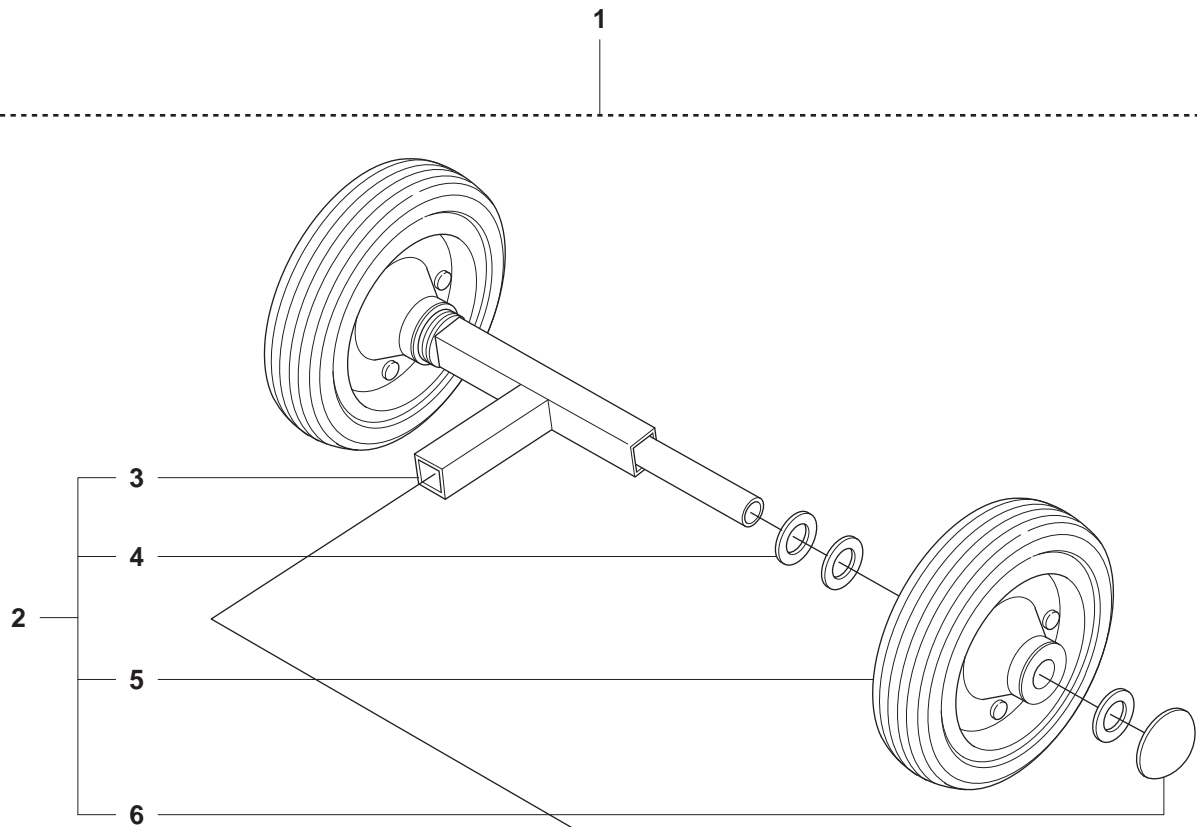
1



**Page A**  
**DS40 GYRO**

<b>Pos.</b>	<b>Part No.</b>	<b>Description</b>	<b>Quantity</b>	<b>Notes</b>
1	506 40 83-06	EXPANDABLE COLUMN ASSY	1	Incl. 2, 9, 10, 12
2	506 40 81-06	ADJUSTER CPL	1	Incl. 3, 4, 5, 6, 7, 8
3	506 40 14-03	BOLT KIT	1	
4	506 40 81-08	ADJUSTER	1	
5	506 40 14-04	BOLT KIT	1	
6	531 14 06-13	WASHER	1	
7	531 14 07-80	FORK	1	
8	531 14 06-14	NUT	1	
9	531 14 08-13	PIPE OUTER	1	
10	506 40 05-02	PIPE INNER	1	Incl. 11
11	531 14 07-72	PLUG	1	
12	504 02 10-02	DECAL	1	
13	506 40 84-07	TOP SUPPORT CPL	1	Incl. 14
14	531 14 06-02	WING SCREW	1	

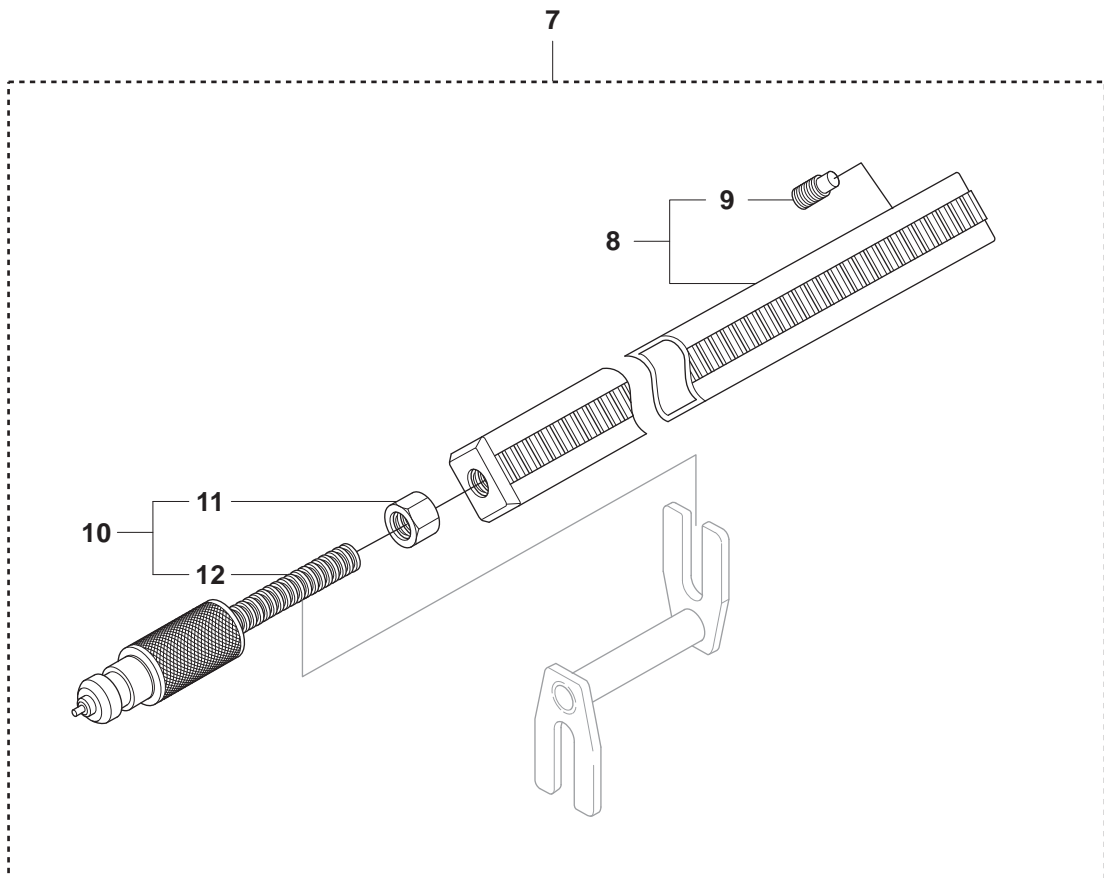
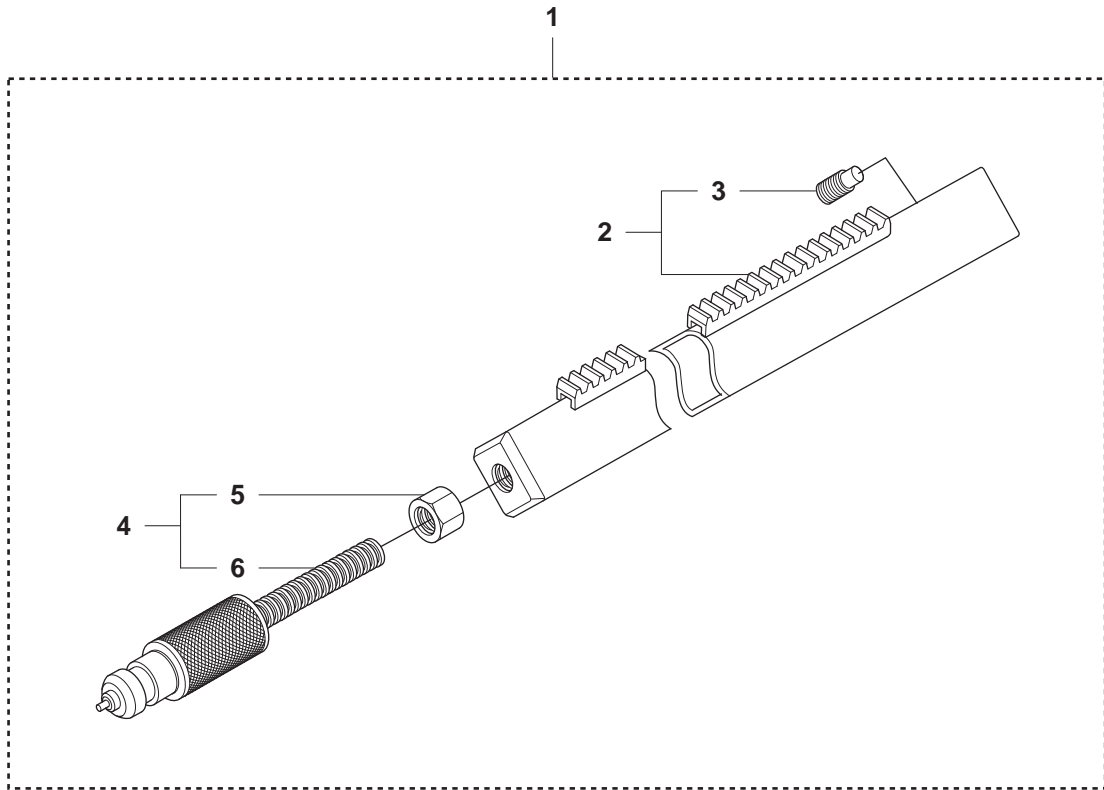
**B** DS40 GYRO  
GB40T



**Page B**  
**DS40 GYRO**

<b>Pos.</b>	<b>Part No.</b>	<b>Description</b>	<b>Quantity</b>	<b>Notes</b>
1	506 40 80-11	BASE PLATE 40T ASSY	1	Incl. 2, 7
2	506 40 76-11	SHAFT HOLDER WITH WHEEL	1	Incl. 3-6
3	504 02 06-04	SHAFT HOLDER	1	
4	531 14 06-27	WASHER	6	
5	531 14 07-28	WHEEL CPL	2	
6	531 14 07-30	COVER PLATE	2	
7	506 40 79-04	BASE PLATE 40T NO WHEEL	1	Incl. 8-12
8	504 02 10-04	DECAL	1	
9	531 14 06-02	WING SCREW	1	
10	531 14 07-74	BASE PLATE 40T	1	
11	531 14 06-43	KNOB	1	
12	531 14 06-19	SCREW	1	

**C** DS40 GYRO  
DRILL RACK

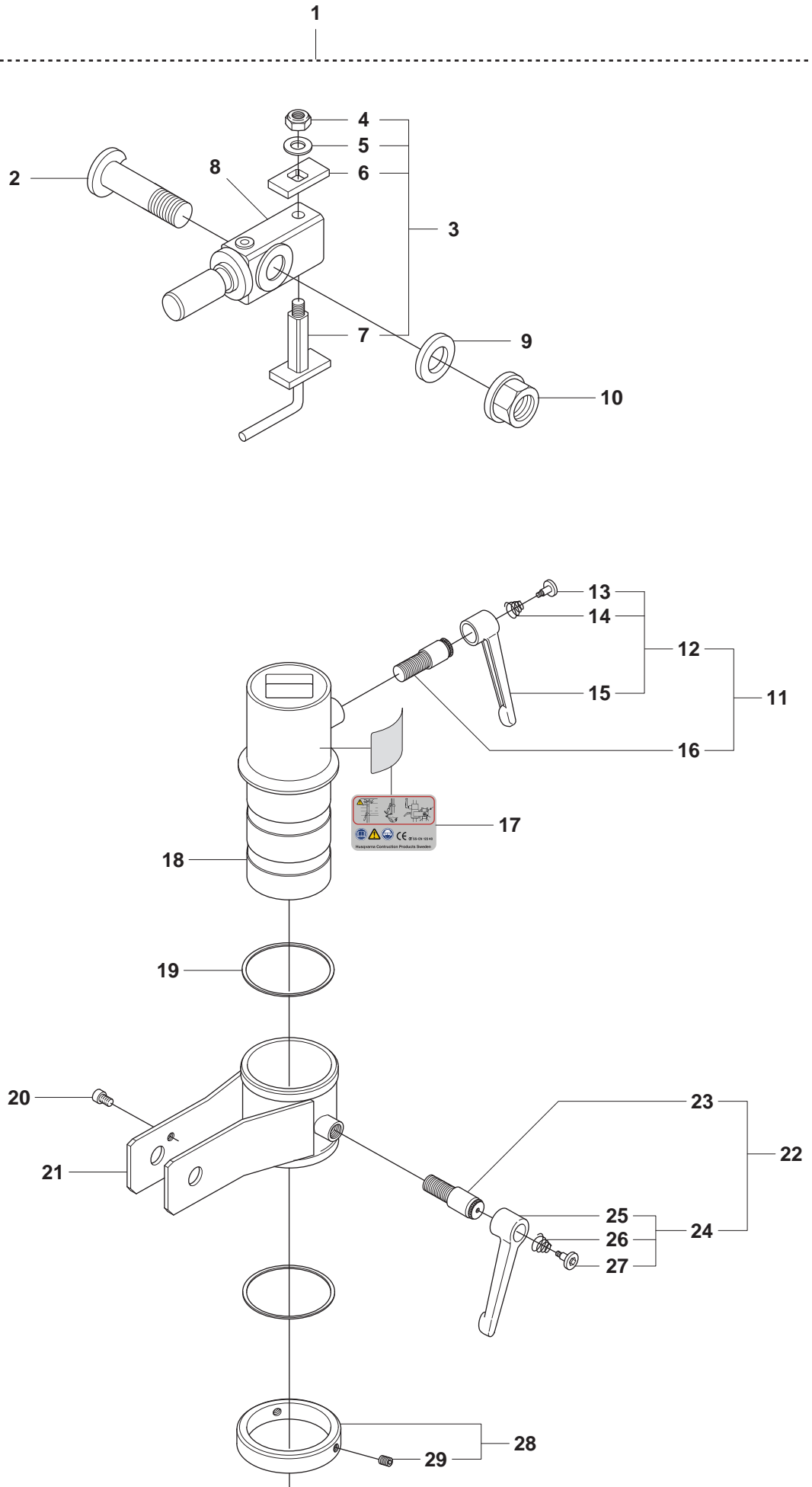




**Page C**  
**DS40 GYRO**

<b>Pos.</b>	<b>Part No.</b>	<b>Description</b>	<b>Quantity</b>	<b>Notes</b>
1	506 40 88-05	DRILL RACK DS40 ASSY	1	Incl. 2, 4
2	506 40 11-01	DRILL RACK DS40 CPL	1	Incl. 3
3	531 14 07-92	SCREW	1	
4	506 40 06-06	ADJUSTMENT SCREW CPL	1	Incl. 5, 6
5	531 14 06-44	NUT	1	
6	506 40 06-08	ADJUSTMENT SCREW	1	
7	506 40 88-06	DRILL RACK DMS ASSY	1	Incl. 8, 10
8	506 40 11-02	DRILL RACK DMS CPL	1	Incl. 9
9	531 14 07-92	SCREW	1	
10	506 40 06-06	ADJUSTMENT SCREW CPL	1	Incl. 11, 12
11	531 14 06-44	NUT	1	
12	506 40 06-08	ADJUSTMENT SCREW	1	

**D** DS40 GYRO  
GYRO UNIT

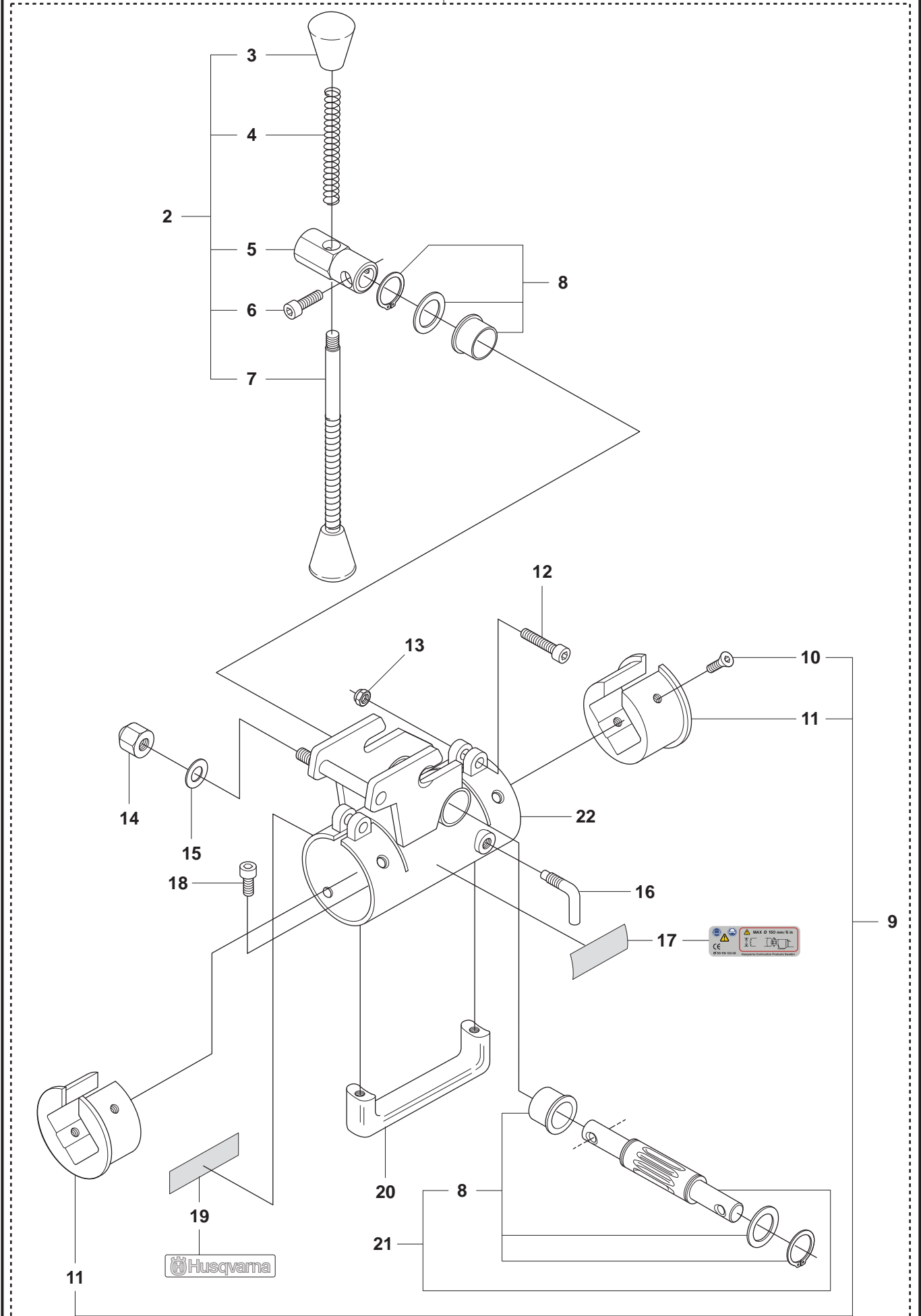


**Page D**  
**DS40 GYRO**

<b>Pos.</b>	<b>Part No.</b>	<b>Description</b>	<b>Quantity</b>	<b>Notes</b>
1	506 40 91-05	GYRO UNIT 40 ASSY	1	Incl. 2, 3, 8-11, 17-22, 28
2	531 14 07-90	SHAFT	1	
3	506 40 16-02	HANDLE CPL	1	Incl. 4-7
4	531 14 06-00	NUT	1	
5	531 14 07-22	WASHER	1	
6	531 14 07-75	WASHER	1	
7	531 14 07-89	HANDLE	1	
8	544 34 97-02	RETAINER	1	
9	531 14 07-87	WASHER	1	
10	501 38 01-01	NUT	1	
11	506 40 77-13	ADJUSTABLE LEVER CPL	1	Incl. 12, 16
12	501 38 46-03	HANDLE CPL	1	Incl. 13-15
13	501 38 60-01	SCREW	1	
14	501 38 47-01	SPRING	1	
15	504 01 81-01	HANDLE	1	
16	544 23 56-02	SCREW CPL	1	
17	544 12 85-01	DECAL	1	
18	504 02 31-01	SLEEVE INNER	1	
19	531 14 07-99	WASHER	1	
20	531 14 08-00	SCREW	1	
21	504 02 33-01	RETAINER	1	
22	506 40 77-13	ADJUSTABLE LEVER CPL	1	Incl. 23, 24
23	544 23 56-02	SCREW CPL	1	
24	501 38 46-03	HANDLE CPL	1	Incl. 25-27
25	504 01 81-01	HANDLE	1	
26	501 38 47-01	SPRING	1	
27	501 38 60-01	SCREW	1	
28	506 40 18-02	RETAINING RING CPL	1	Incl. 29
29	531 14 06-70	SCREW	2	

**E** DS40 GYRO  
DCX1

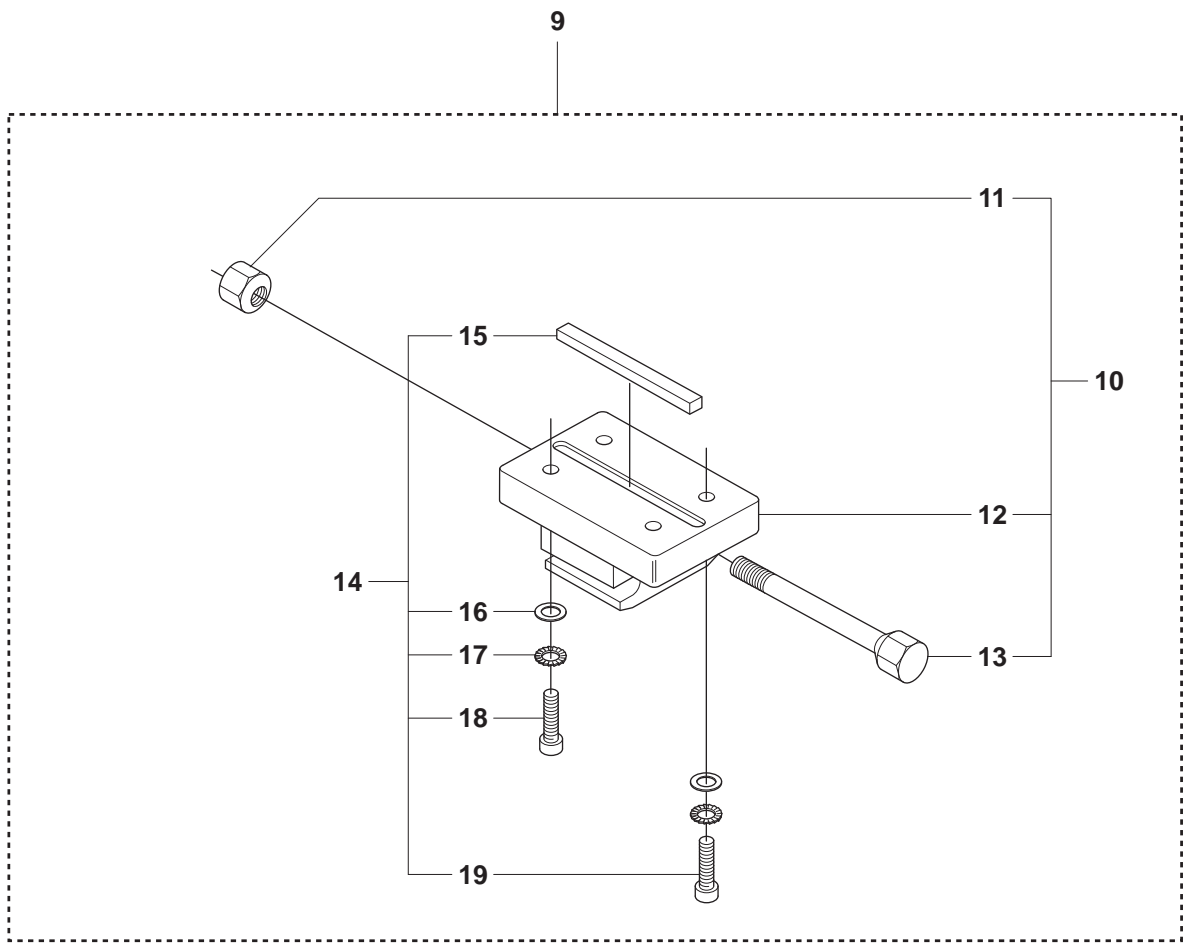
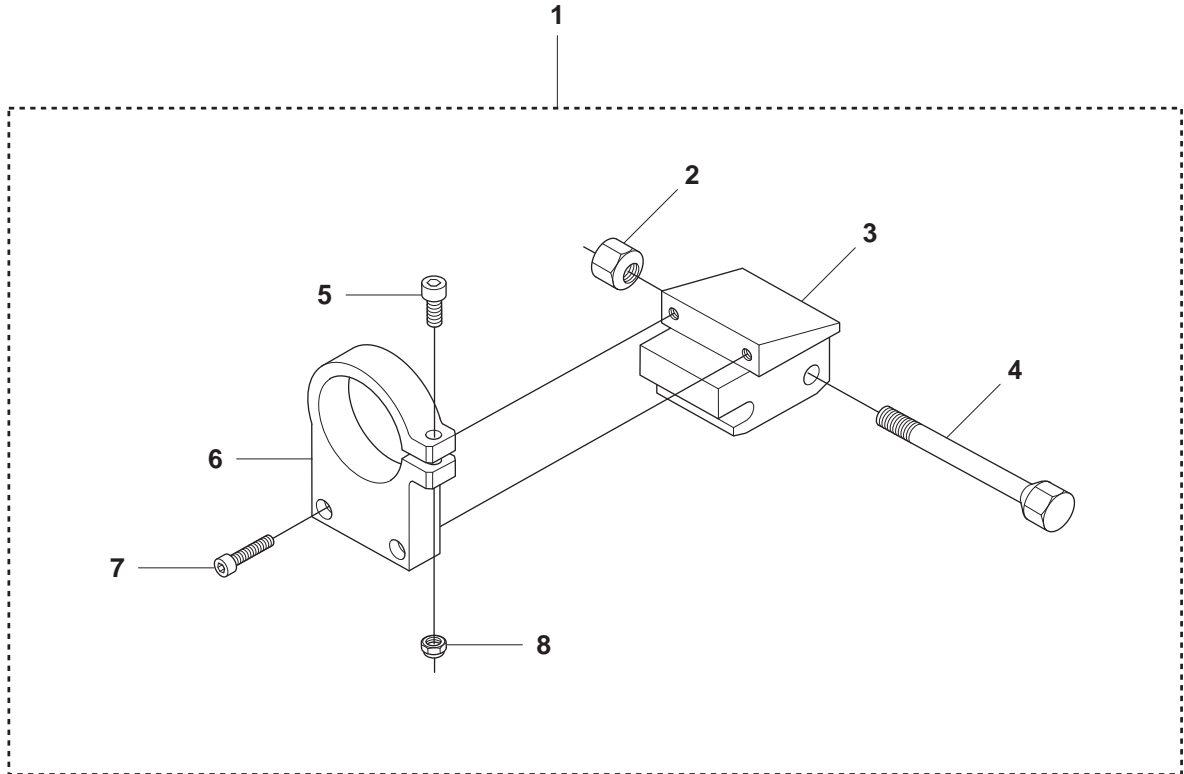
1



**Page E**  
**DS40 GYRO**

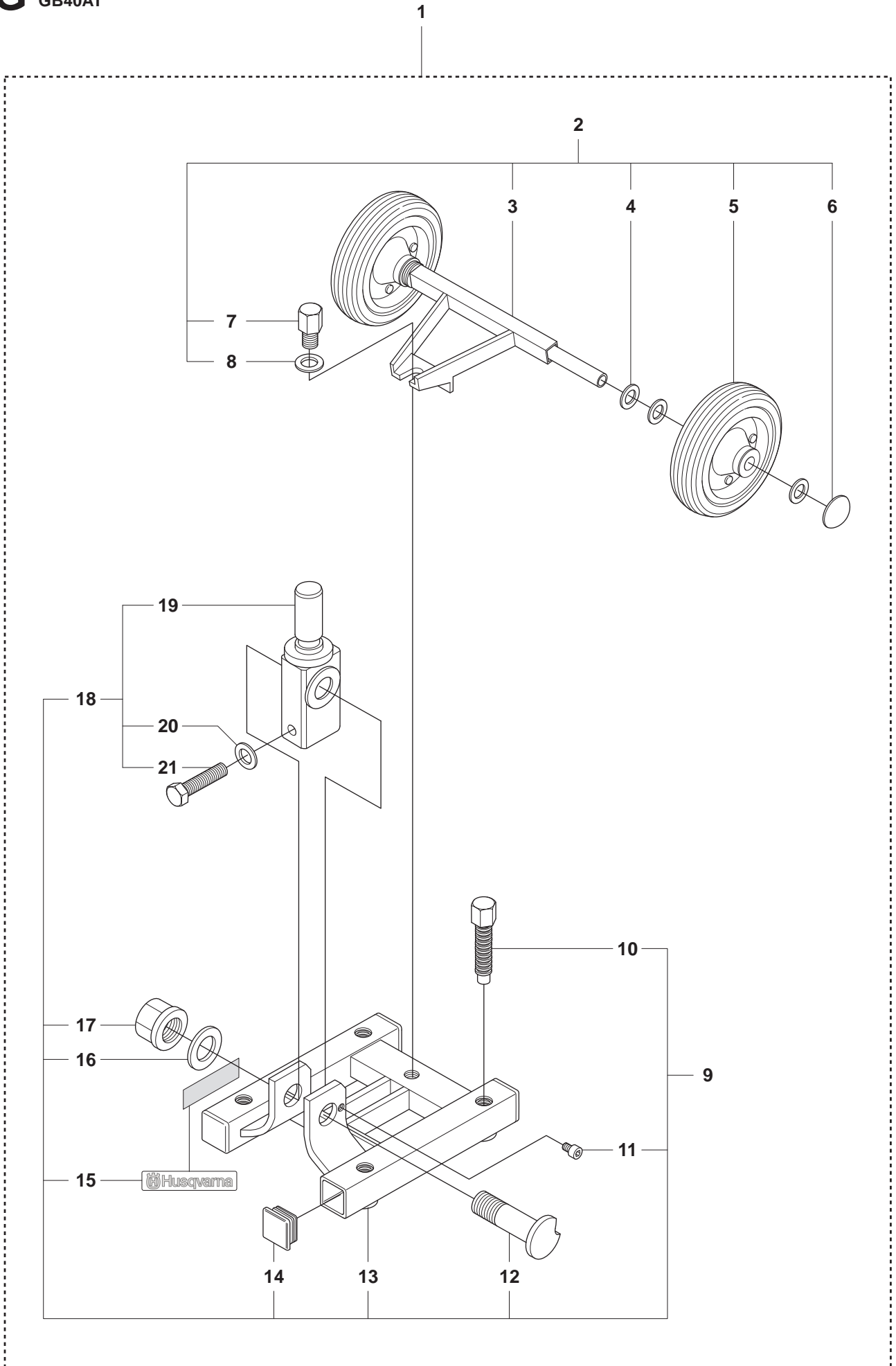
<b>Pos.</b>	<b>Part No.</b>	<b>Description</b>	<b>Quantity</b>	<b>Notes</b>
1	506 40 90-09	DRILL CARRIAGE 40X1 ASSY	1	Incl. 2, 8, 9, 12-20, 21, 22
2	506 40 20-01	HANDLE CPL	1	Incl. 3-7
3	531 14 06-72	KNOB	2	
4	531 14 06-73	SPRING	2	
5	531 14 06-84	SLEEVE	1	
6	531 14 06-59	SCREW	1	
7	531 14 06-82	HANDLE	1	
8	506 40 19-01	BUSHING KIT	1	
9	506 40 89-03	BUSHING KIT	1	Incl. 10, 11
10	531 14 08-04	SCREW	8	
11	531 14 08-05	BUSHING	2	
12	531 14 06-86	SCREW	2	
13	531 14 06-30	NUT	2	
14	531 14 06-83	NUT	1	
15	531 14 06-11	WASHER	1	
16	531 14 06-87	KNOB	1	
17	544 12 85-03	DECAL	1	
18	531 14 06-85	SCREW	2	
19	504 02 10-01	DECAL	1	
20	544 21 89-02	HANDLE	1	
21	506 40 17-02	SHAFT CPL	1	Incl. 8
22	531 14 07-79	DRILL CARRIAGE 40X1	1	

**F** DS40 GYRO  
MOTOR MOUNT



**Page F**  
**DS40 GYRO**

<b>Pos.</b>	<b>Part No.</b>	<b>Description</b>	<b>Quantity</b>	<b>Notes</b>
1	506 40 08-05	MOTOR MOUNT 40 ASSY	1	Incl. 2-8
2	531 14 06-83	NUT	1	
3	531 14 08-10	BRACKET MOTOR MOUNT	1	
4	531 14 07-11	SCREW	1	
5	531 14 06-86	SCREW	1	
6	531 14 08-65	BRACKET MOTOR MOUNT	1	
7	531 14 08-09	SCREW	2	
8	531 14 06-30	NUT	1	
9	506 40 08-03	MOTOR MOUNT 50 ASSY	1	Incl. 10, 14
10	506 40 08-04	MOTOR MOUNT 50 CPL	1	Incl. 11-13
11	531 14 06-83	NUT	1	
12	531 14 07-10	MOTOR MOUNT	1	
13	531 14 07-11	SCREW	1	
14	506 40 08-02	KEYSET CPL	1	Incl. 15-19
15	531 14 06-74	WEDGE	1	
16	531 14 07-12	WASHER	4	
17	531 14 07-13	WASHER	4	
18	531 14 06-81	SCREW	4	
19	531 14 07-14	SCREW	4	

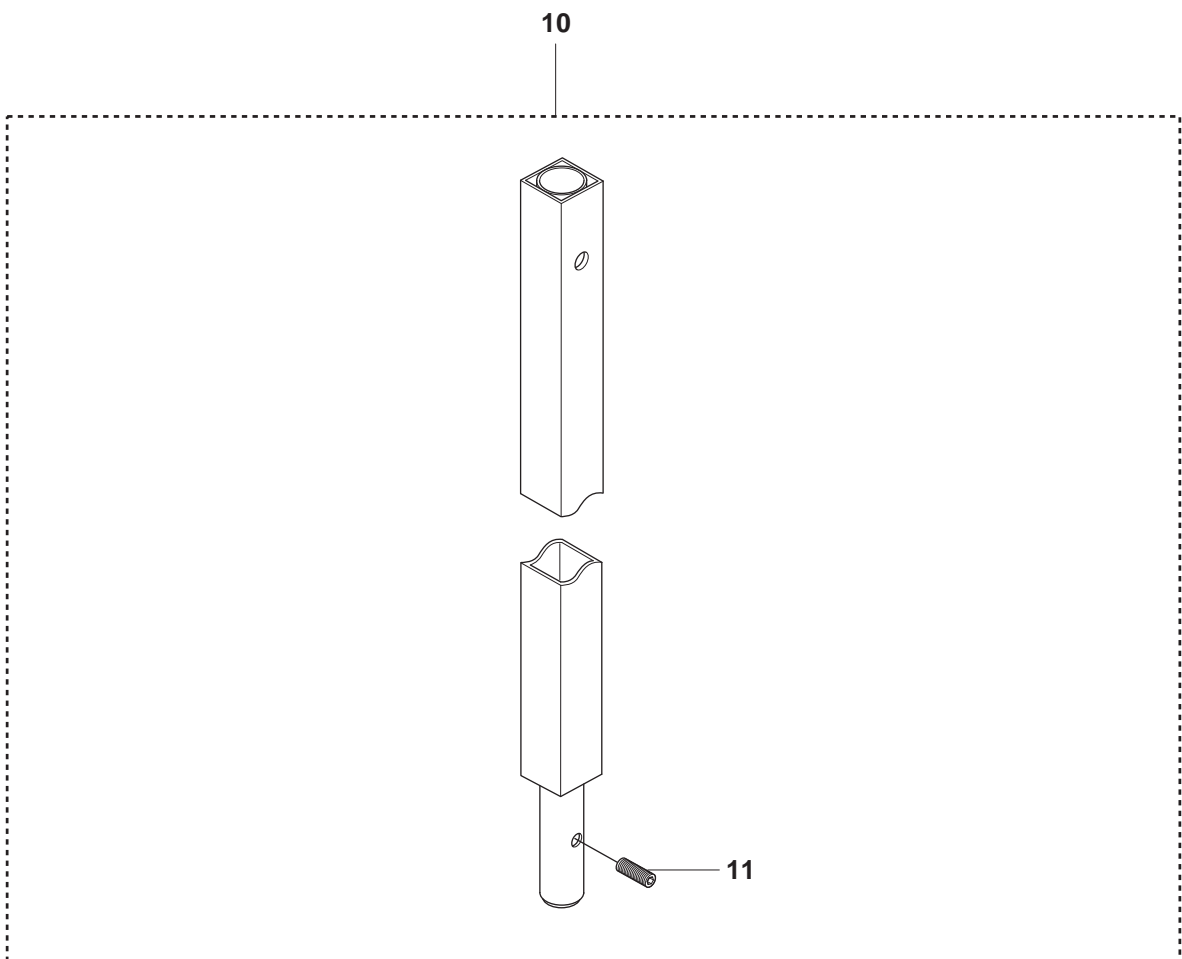
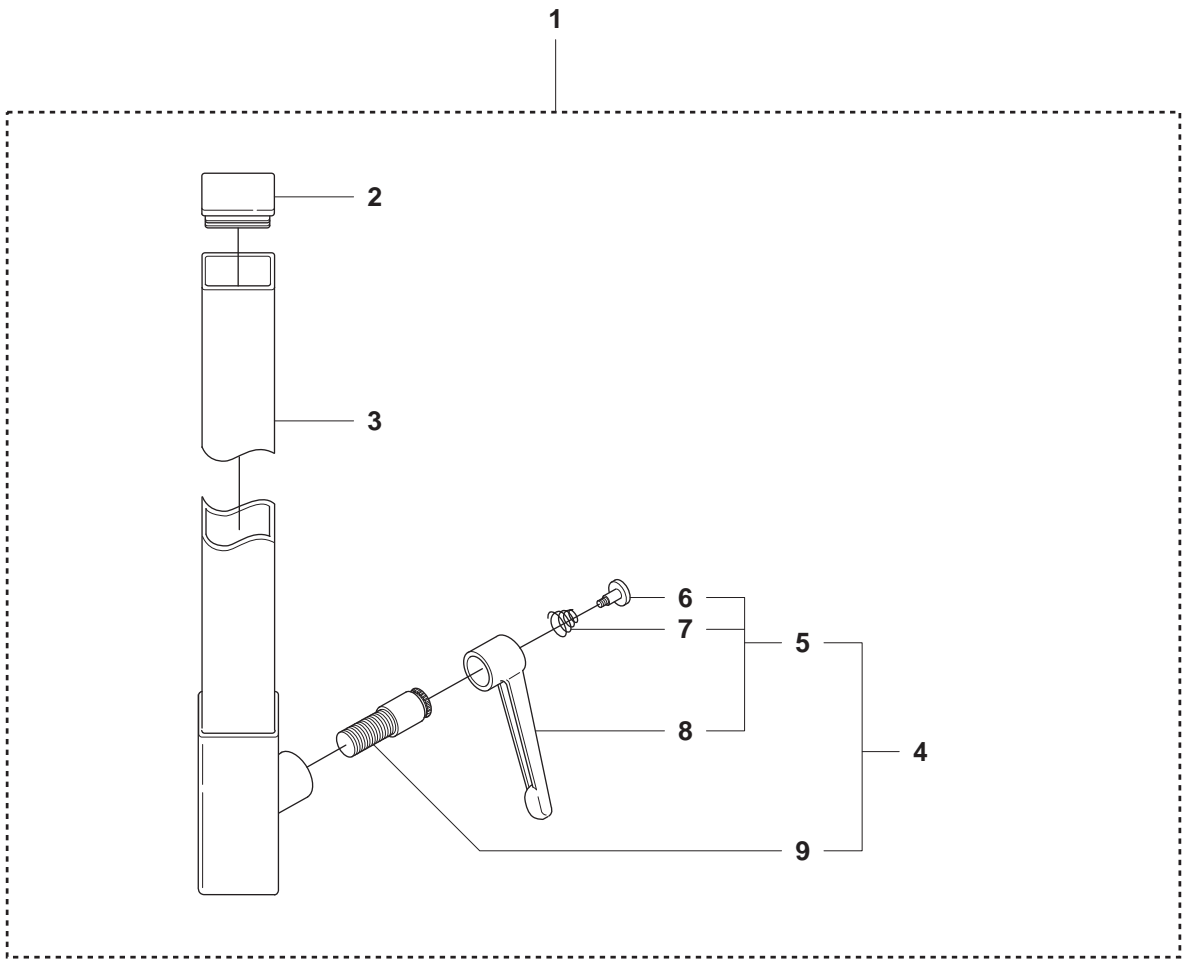




**Page G**  
**DS40 GYRO**

<b>Pos.</b>	<b>Part No.</b>	<b>Description</b>	<b>Quantity</b>	<b>Notes</b>
1	506 40 80-12	BASE PLATE 40AT ASSY	1	Incl. 2, 9
2	506 40 76-09	SHAFT HOLDER WITH WHEEL	1	Incl. 3-8
3	504 02 06-02	SHAFT HOLDER	1	
4	531 14 06-27	WASHER	6	
5	531 14 07-28	WHEEL CPL	2	
6	531 14 07-30	COVER PLATE	2	
7	531 14 07-23	SCREW	1	
8	531 14 07-22	WASHER	1	
9	506 40 79-05	BASE PLATE 40AT NO WHEEL	1	Incl. 10-18
10	531 14 08-15	ADJUSTMENT SCREW	4	
11	531 14 08-16	SCREW	1	
12	531 14 08-18	SHAFT	1	
13	531 14 08-17	BASE PLATE 40AT	1	
14	531 14 07-72	PLUG	4	
15	504 02 10-02	DECAL	1	
16	531 14 07-87	WASHER	1	
17	501 38 01-01	NUT	1	
18	506 40 22-03	RETAINER CPL	1	Incl. 19-21
19	531 14 08-84	RETAINER	1	
20	531 14 07-22	WASHER	1	
21	531 14 08-85	SCREW	1	

**H** DS40 GYRO  
EXTENSION POLE

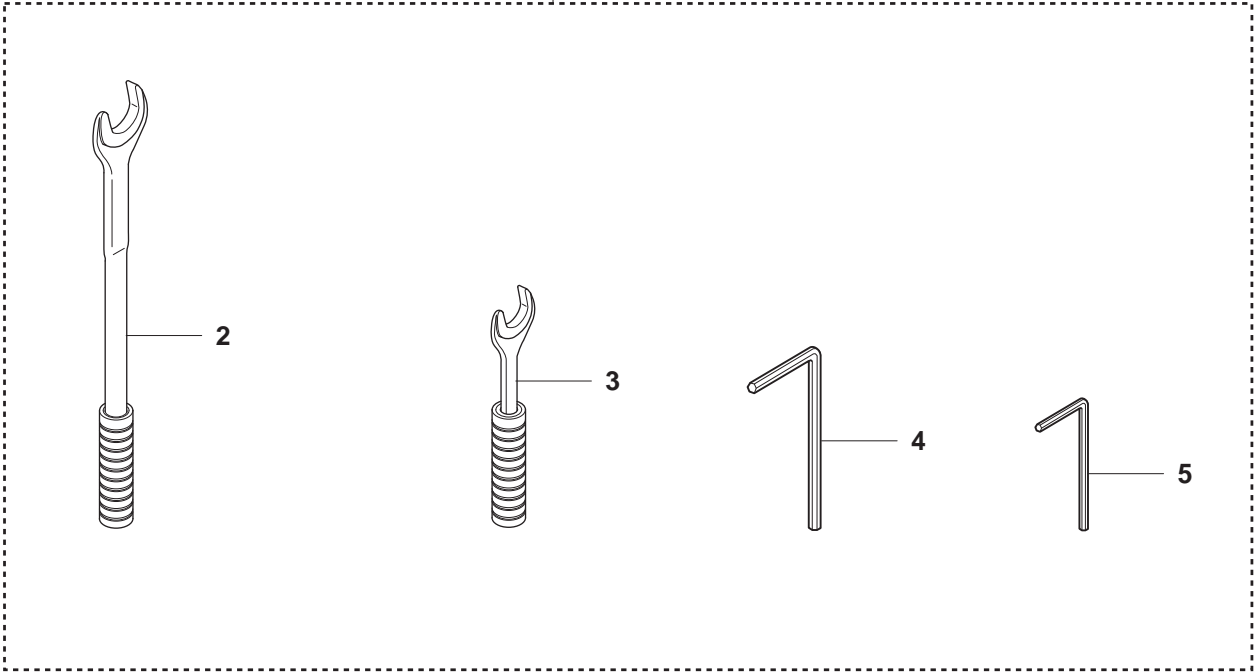


**Page H**  
**DS40 GYRO**

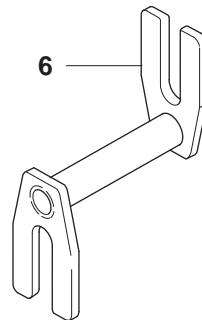
<b>Pos.</b>	<b>Part No.</b>	<b>Description</b>	<b>Quantity</b>	<b>Notes</b>
1	506 40 85-06	EXT. POLE 40 OUTER ASSY	1	Incl. 2, 3, 4
2	531 14 06-20	PLUG	1	
3	531 14 08-29	EXT. POLE 40 OUTER	1	
4	506 40 77-13	ADJUSTABLE LEVER CPL	1	Incl. 5, 9
5	501 38 46-03	ADJUSTABLE LEVER	1	Incl. 6-8
6	501 38 60-01	SCREW	1	
7	501 38 47-01	SPRING	1	
8	504 01 81-01	HANDLE	1	
9	544 23 56-02	SCREW CPL	1	
10	506 40 05-04	EXT. POLE 40 INNER ASSY	1	Incl. 11
11	531 14 08-31	SCREW	1	

**J** DS40 GYRO  
TOOLKIT

1



6



**Page J****DS40 GYRO**

<b>Pos.</b>	<b>Part No.</b>	<b>Description</b>	<b>Quantity</b>	<b>Notes</b>
1	506 40 86-03	TOOLKIT CPL	1	Incl. 2-5
2	544 22 27-01	SPANNER 30MM	1	
3	544 22 27-02	SPANNER 24MM	1	
4	531 14 07-62	L ALLEN KEY 8MM	1	
5	544 27 98-01	L ALLEN KEY 6MM	1	
6	531 14 06-46	ANCHOR BOLT HOLDER	1	