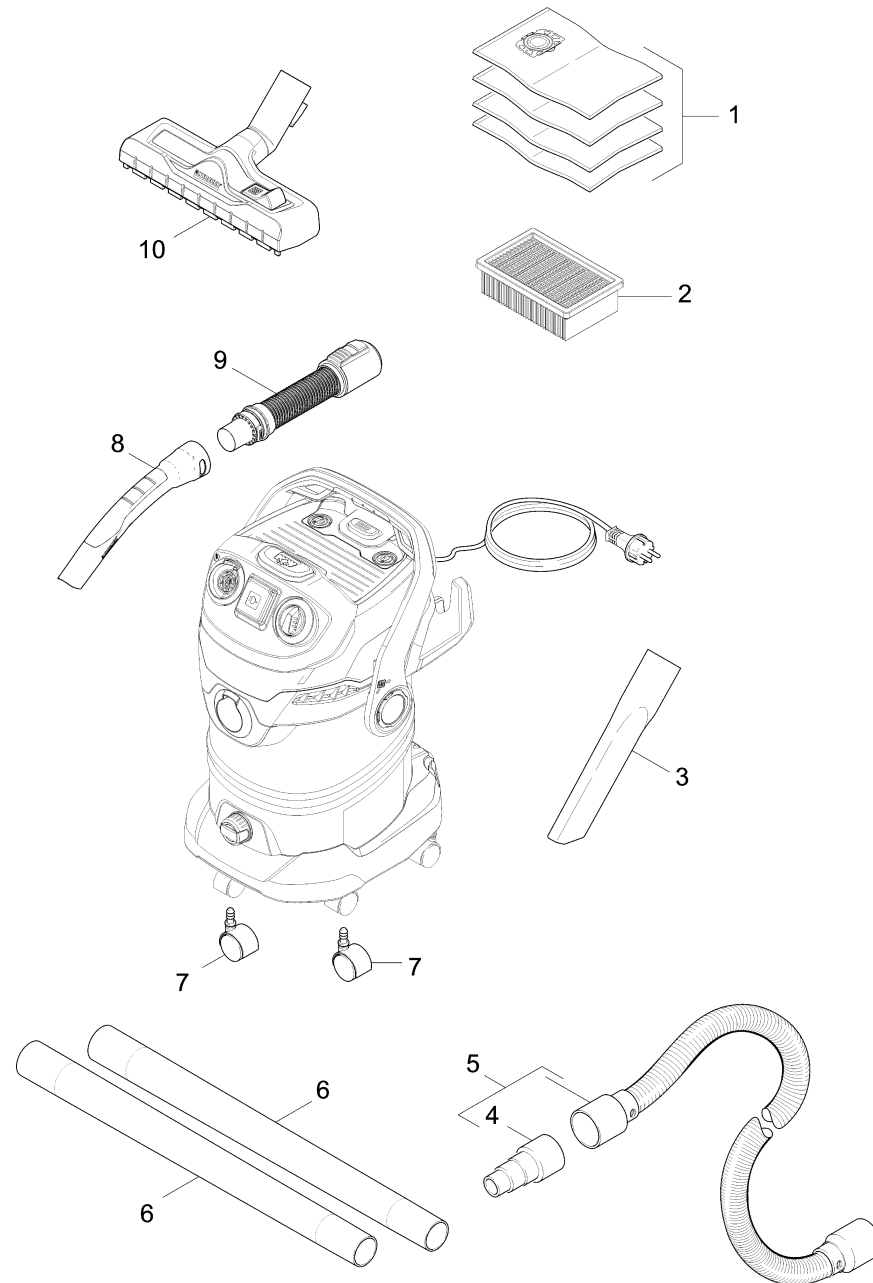


# Short spare parts list (1.348-271.3)

Home and Garden \ Vacuum cleaner \ Wet-/Dry vacuum cleanerwet \ WD 6 P Premium \*EU-II \ Short spare parts list



## Short spare parts list (1.348-271.3)

Home and Garden \ Vacuum cleaner \ Wet-/Dry vacuum cleanerwet \ WD 6 P Premium \*EU-II \ Short spare parts list

**KÄRCHER**

POS	Article no.	Description	Quantity	Unit
1	2.863-006.0	Filter bags-fleece set packaged 4x	1.000	ST
2	2.863-005.0	Flat-pleated filter packaged WD 4/5/6	1.000	ST
3	6.900-385.0	Crevice nozzle DN35	1.000	ST
4	9.048-061.0	Connecting sleeve	1.000	ST
5	2.863-112.0	Hose Flex-Tool	1.000	ST
6	9.039-339.0	Suction tube nichtrostender Stahl	2.000	ST
7	9.036-479.0	Castor D50	2.000	ST
8	2.863-012.0	Hand grip suction hose	1.000	ST
9	4.441-067.0	Suction hose complete for replacement	1.000	ST
10	2.863-000.0	Floor tool switchable packaged	1.000	ST