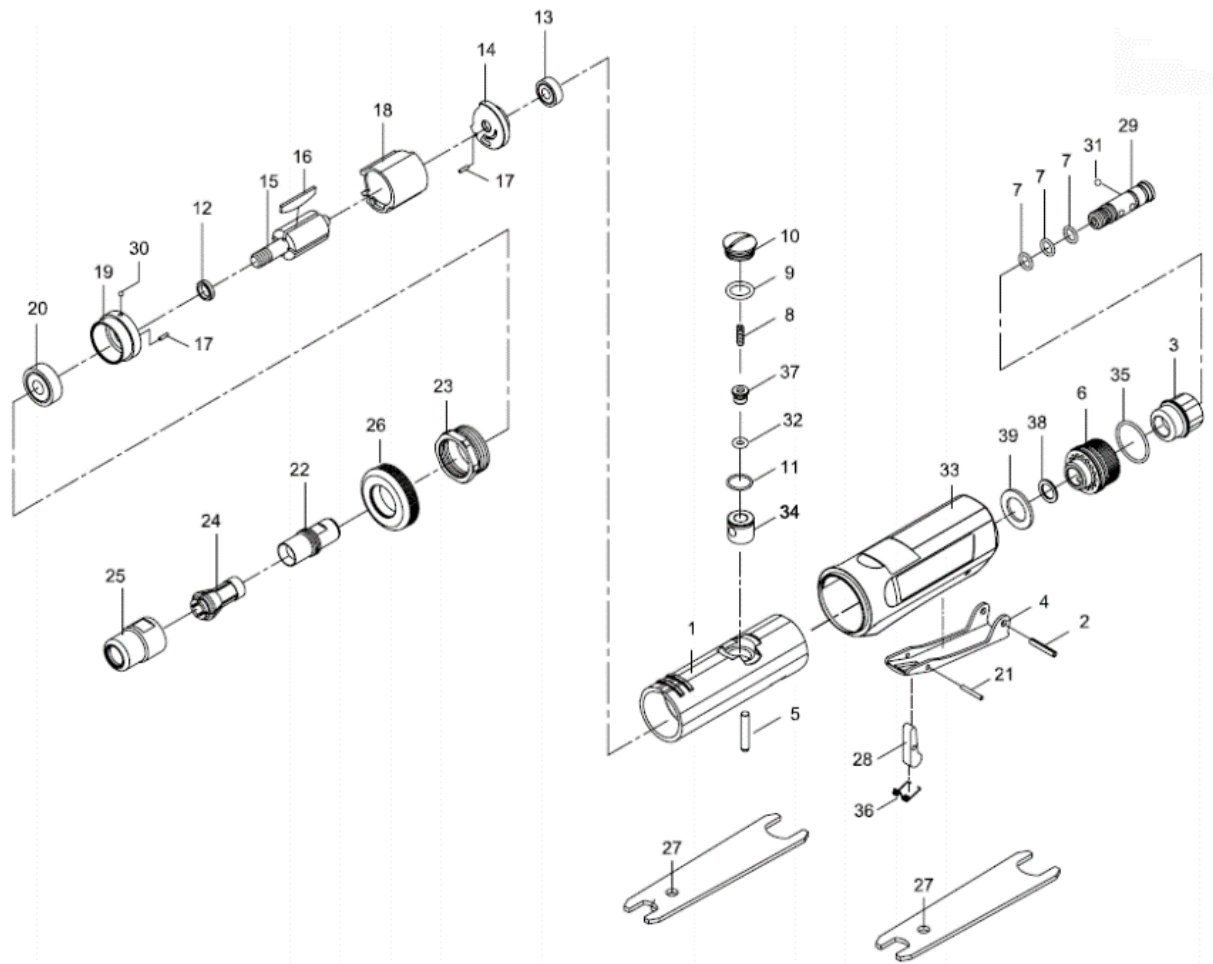


Nº	CODE	DESCRIPTION	Nº	CODE	DESCRIPTION
1	P82201	MOTOR HOUSING	21	P82215	SPRING PIN
2	P82002	SPRING PIN	22	P82216	SPINDLE
3	P82203	AIR INLET	23	P82217	FRONT COUPLING
4	BP82204	THROTTLE LEVER	24	P82218	COLLET (6MM)
5	P82205	SPRING	25	P82219	COLLET NUT
6	BP82206	EXHAUST DIFFUSER	26	P82220	FRONT CAP
7	P82044	O-RING (7.5*1.5)	27	P82221	SPANNER (11MM,17MM)
8	P82205	SPRING	28	P82222	LEVER BAR
9	P82206	O-RING (9.8X1.9)	29	P82223	FIXED SHAFT
10	P82207	VALVE SCREW	30	P82012	STEEL BALL 3/32"
11	P82208	O-RING (10.5X1)	31	P82039	STEEL BALL 1/8"
12	P82209	ROTOR SPACER	32	P82048	O-RING (3.8X1.9)
13	P82011	BALL BEARING	33	P82224	GRIP
14	P82014	REAR END PLATE	34	P82225	BUSHING
15	P82210	ROTOR	35	P82226	O-RING
16	P82211	ROTOR BLADE (1 UNIT)	36	P82227	SPRING
17	P82042	SPRING PIN	37	P82228	THROTTLE VALVE
18	P82212	CYLINDER	38	P82045	WASHER
19	P82213	FRONT END PLATE	39	P82229	DAMPING MATERIAL
20	P82114	BALL BEARING	41	P82227	SPRING



BP822

SNA Europe does not cover the causes over negligence in tool use and/or repair, inadequate care, or abnormal usage conditions. Follow the instructions for proper use, safety, maintenance and servicing given by SNA Europe