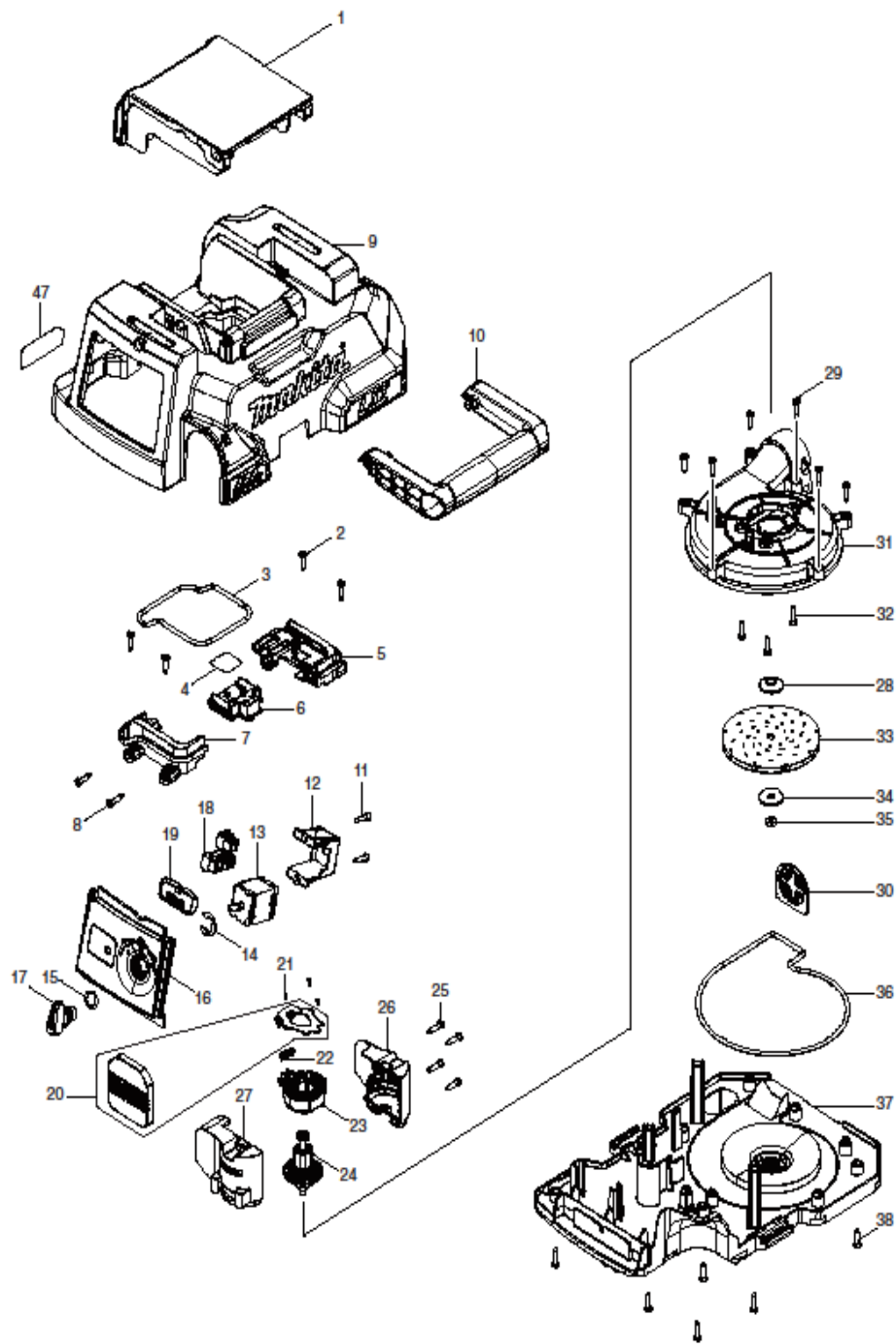
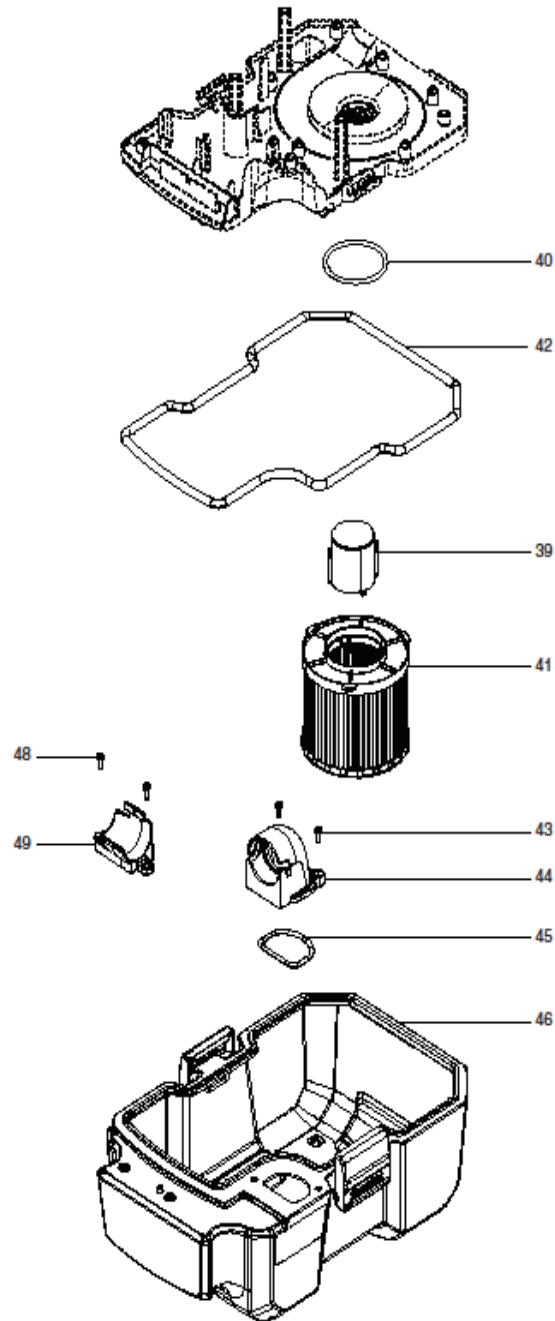


pos.no	part.no	description	used qty	pc/set
1		140G64-5	BATTERY COVER COMPLETE	1 PC.
1	C10	891978-6	CAUTION LABEL	1 PC.
2		266326-2	TAPPING SCREW 4X18	4 PC.
3		422368-8	SEAL RING E	1 PC.
4		855A83-9	DVC750L SERIAL NO. LABEL	1 PC.
5		183K69-6	TERMINAL CASE SET	1 PC.
5	D10		INC. 7	0
6		644809-6	TERMINAL	1 PC.
7		183K69-6	TERMINAL CASE SET	1 PC.
7	D10		INC. 5	0
8		266326-2	TAPPING SCREW 4X18	2 PC.
9		140G02-7	TOP COVER COMPLETE	1 PC.
10		458886-0	HANDLE	1 PC.
11		266326-2	TAPPING SCREW 4X18	2 PC.
12		451343-7	SWITCH HOLDER	1 PC.

13		651382-9	SWITCH 1703.4702	1	PC.
14		961062-2	STOP RING E-12	1	PC.
15		213176-6	O RING 14	1	PC.
16		140G01-9	SWITCH BASE COMPLETE	1	PC.
16	C10	818F81-4	INDICATION LABEL	1	PC.
17		457857-4	SWITCH LEVER	1	PC.
18		686023-8	RECEPTACLE SLEEVE	6	PC.
19		620A05-6	INDICATOR CIRCUIT	1	PC.
20		620A06-4	CONTROLLER	1	PC.
21		266490-9	TAPPING SCREW PT 2X6	3	PC.
22		652069-6	FLAT HEAD SCREW M3X6	3	PC.
23		629385-1	STATOR	1	PC.
24		619540-3	ROTOR	1	PC.
25		266326-2	TAPPING SCREW 4X18	4	PC.
26		183K70-1	MOTOR HOUSING SET	1	PC.
26	D10		INC. 27	0	
27		183K70-1	MOTOR HOUSING SET	1	PC.
27	D10		INC. 26	0	
28		313062-2	FLANGE	1	PC.
29		266326-2	TAPPING SCREW 4X18	6	PC.
30		458973-5	FAN COVER GUARD	1	PC.
31		458883-6	FAN COVER	1	PC.
32		266326-2	TAPPING SCREW 4X18	3	PC.
33		240178-9	FAN 104	1	PC.
34		253752-4	FLAT WASHER 8	1	PC.
35		931303-0	HEX. NUT M6	1	PC.
36		422366-2	SEAL RING C	1	PC.
37		458881-0	TANK COVER	1	PC.
38		266326-2	TAPPING SCREW 4X18	6	PC.
39		140G00-1	FLOAT COMPLETE	1	PC.
40		422364-6	SEAL RING A	1	PC.
41		162518-0	FILTER COMPLETE	1	PC.
42		422367-0	SEAL RING D	1	PC.
43		911123-8	PAN HEAD SCREW M4X14	2	PC.
44		458888-6	INLET	1	PC.
45		422365-4	SEAL RING B	1	PC.
46		140G71-8	TANK COMPLETE	1	PC.
46	C10	162271-8	LATCH	2	PC.
47		855A75-8	DVC750L NAME PLATE	1	PC.
48		911123-8	PAN HEAD SCREW M4X14	2	PC.
49		458887-8	HOSE HOOK	1	PC.
A01		140G04-3	HOSE COMPLETE	1	PC.
A02		458891-7	WIDE NOZZLE	1	PC.
A03		458919-1	SASH NOZZLE	1	PC.



2018/05
DVC750L 1/2



2018/05
DVC750L 2/2