

**kraenzle**<sup>®</sup>

**Operating manual**  
**High-pressure cleaner**

- GB -

**Profi 160 TST**  
**Profi 195 TST**  
**Profi 175 TST**  
**Profi 15/120 TST**



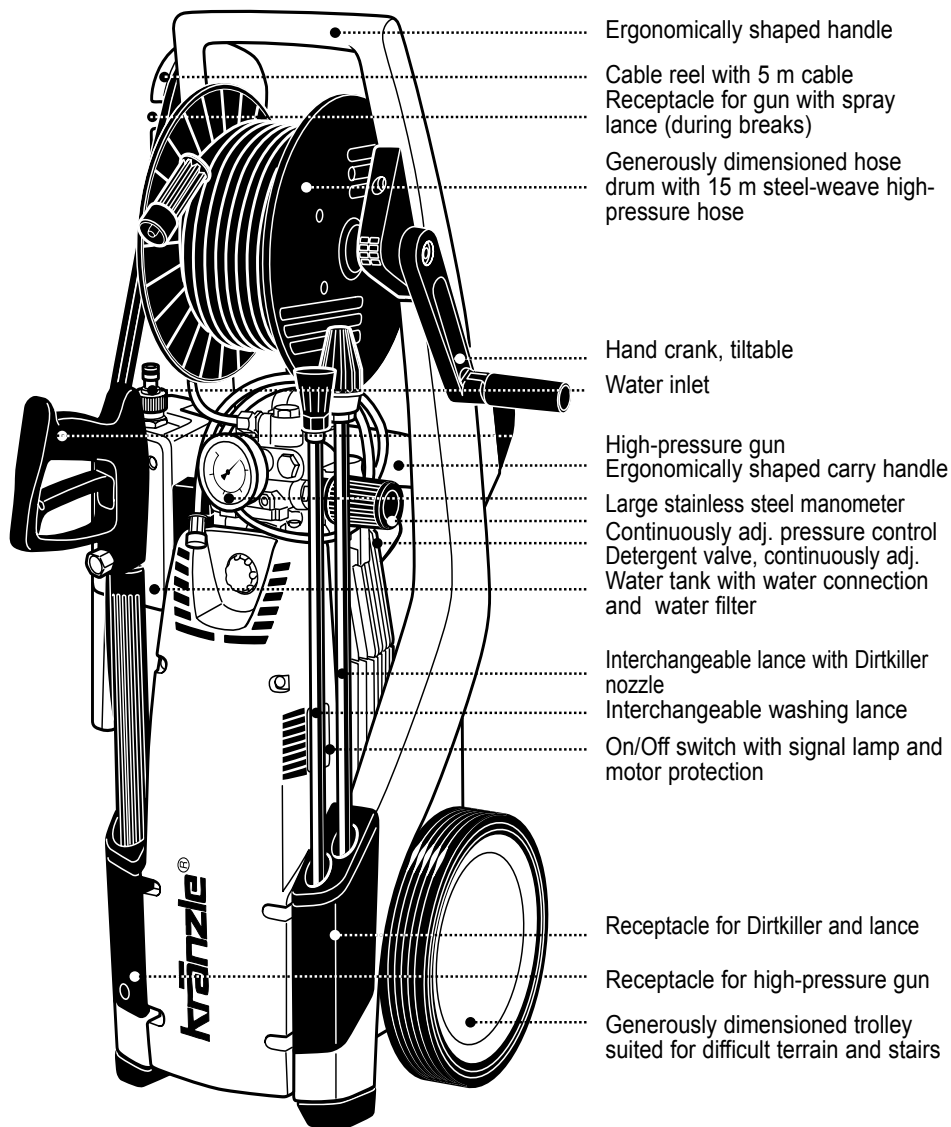
**Read and conform safety instructions before use!**  
**Keep instructions in a safe place for later use and**  
**pass them on to any future user.**



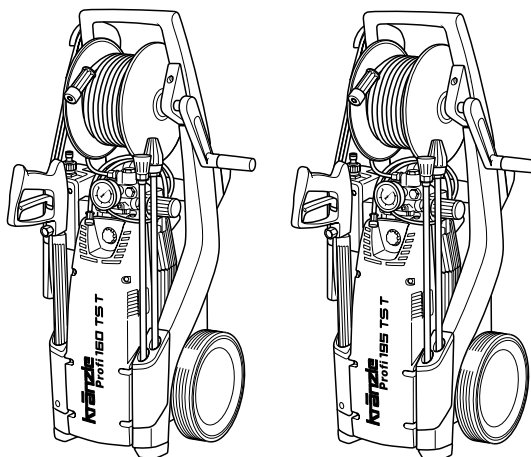
[www.kraenzle.com](http://www.kraenzle.com)

## 2 Description

Kränzle Profi 160 TS T, Profi 195 TS T, Profi 175 TS T, Profi 15/120 TS T

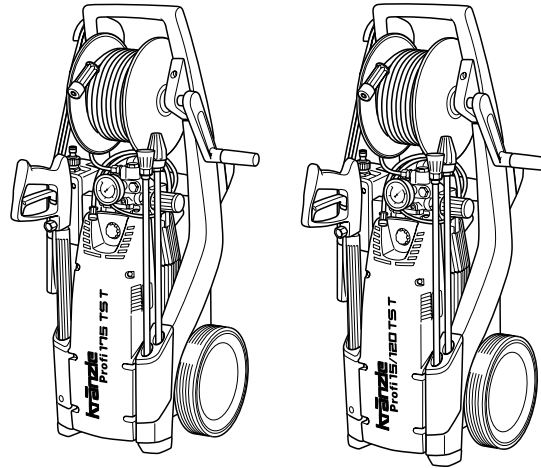


<b>Contents</b>	Page
	<b>3</b>
Description of appliance .....	2
Contents .....	3
Technical data .....	4
Overview "This is what you have purchased" .....	6
General rules .....	7
Safety precautions – accident prevention .....	8
<b>Extremely important: Water connection – electrical connection</b> .....	<b>10</b>
Kränzle- technology .....	12
Water and cleaning system .....	12
Lance and spray gun .....	12
Pressure control valve – safety valve .....	12
Motor protection switch .....	13
High pressure hose and spray device .....	13
Total stop system .....	13
<b>Putting into operation</b> .....	<b>14</b>
Connection to water mains .....	14
Direct suction .....	17
When using detergents .....	18
To shut down the pump / frost protection .....	19
Small repairs – do it yourself ! .....	20
Small repairs – do it yourself ! .....	24
EG – Declaration of Conformity .....	26
Guarantee .....	27
Accessories for high-pressure cleaners .....	28
<b>Spare parts list</b> .....	<b>30</b>
Complete assembly .....	30
Valve housing .....	32
Unloader valve and pressure switch .....	34
Motor .....	36
Transmission unit .....	38
Hose drum .....	39
Gun with lance .....	40
Dirtkiller with lance .....	41
Wasserkasten .....	42
Wiring diagrams .....	43

**4 Technical data**


	Kränzle Profi 160 TS T	Kränzle Profi 195 TS T
<b>Operating press. continuously adj.</b>	10 - 140 bar	10 - 170 bar
<b>Nozzle size</b>	25042	25030
<b>Permissible overpressure</b>	160 bar	195 bar
<b>Water output</b>	at 1,400 r.p.m. 11 l/min	at 1,400 r.p.m. 8 l/min
<b>Water inlet temperature</b>	max. 60 °C	max. 60 °C
<b>Suction height</b>	2.5 m	2.5 m
<b>Steel-weave high-pressure hose</b>	15 m	15 m
<b>Detergent suction</b>	ja	ja
<b>Connected load</b>	230 V~, 14.3 A, 50 Hz	230 V~, 14.3 A, 50 Hz
<b>Power input</b>	P 1 - 3.2 kW	P 1 - 3.2 kW
<b>Power output</b>	P 2 - 2.5 kW	P 2 - 2.5 kW
<b>Weight</b>	41 kg	41 kg
<b>Dim. incl. pulling handle in mm</b>	355 x 375 x 980	355 x 375 x 980
<b>Sound level acc. to DIN 45 635</b>	78 dB (A)	81 dB (A)
<b>Sound level with Dirtkiller</b>	82 dB (A)	78 dB (A)
<b>Acoustic power <math>L_{WA}</math></b>	89 dB (A)	91 dB (A)
<b>Recoil at lance</b>	approx. 25 N	approx. 32 N
<b>Vibration at lance</b>	2.0 m/s <sup>2</sup>	2.0 m/s <sup>2</sup>

Permissible tolerance for figures  $\pm 5\%$  acc. to VDMA uniform sheet 24411



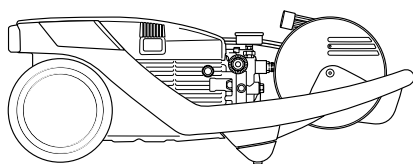
Kränzle Profi 175 TS T

Kränzle Profi 15/120 TS T

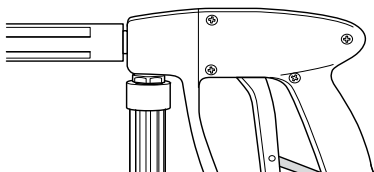
	Kränzle Profi 175 TS T	Kränzle Profi 15/120 TS T
<b>Operating press. continuously adj.</b>	10 - 150 bar	10 - 120 bar
<b>Nozzle size</b>	25042	2507
<b>Permissible overpressure</b>	175 bar	135 bar
<b>Water output</b>	at 1,400 r.p.m. 12 l/min	at 1,400 r.p.m. 15 l/min
<b>Water inlet temperature</b>	max. 60 °C	max. 60 °C
<b>Suction height</b>	2.5 m	2.5 m
<b>Steel-weave high-pressure hose</b>	15 m	15 m
<b>Detergent suction</b>	ja	ja
<b>Connected load</b>	400 V, 7.2 A, 50 Hz	400 V, 7.2 A, 50 Hz
<b>Power input</b>	P 1 - 3,8 kW	P 1 - 3,8 kW
<b>Power output</b>	P 2 - 3,0 kW	P 2 - 3,0 kW
<b>Weight</b>	41 kg	41 kg
<b>Dim. incl. pulling handle in mm</b>	355 x 375 x 980	355 x 375 x 980
<b>Sound level acc. to DIN 45 635</b>	78 dB (A)	81 dB (A)
<b>Sound level with Dirtkiller</b>	82 dB (A)	78 dB (A)
<b>Acoustic power <math>L_{WA}</math></b>	89 dB (A)	91 dB (A)
<b>Recoil at lance</b>	approx. 25 N	approx. 32 N
<b>Vibration at lance</b>	2.0 m/s <sup>2</sup>	2.0 m/s <sup>2</sup>

Permissible tolerance for figures ± 5 % acc. to VDMA uniform sheet 24411

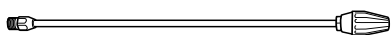
**6 This is what you have purchased**



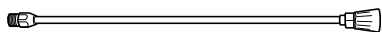
**1.** Kränzle high-pressure cleaner Profi with hose drum and 15 m steel weave high-pressure hose NW 6



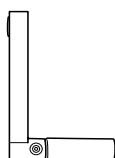
**2.** Safety spray gun with insulated handle and screw connection



**3.** Dirtkiller lance



**4.** Washing lance with new Kränzle knife jet nozzle



**5.** Tiltable handle with fixing screw for hose drum



**6.** Operating manual

## General rules

### ■ Range of application

Use machines for cleaning tasks with high-pressure water jet and detergents or with high-pressure water jet without detergents only.

### ■ Inspections

The machine must be inspected according to the "Guidelines for Liquid Spray Devices" at least once every 12 months by a qualified person, to ensure that continued safe operation is guaranteed. The results of the inspection are to be recorded in writing.

This may be done in any form. For inspection reports see pages 22 - 25



**High-pressure cleaners used for commercial purposes have to be checked by a qualified person at least every 12 months!**

### ■ Accident prevention

The machine is designed for accidents to be impossible if used correctly. The operator is to be notified of the risk of injury from hot machine parts and the high pressure water jet. The "Guidelines for Liquid Spray Devices" must be complied with. (see pages 8 and 9).

### ■ Oil change:

1. The first oil change should be carried out after approximately 50 operating hours. After that no further oil change will be necessary for the life cycle of the high-pressure cleaner. Put the machine into a horizontal position, then open the oil discharge screw at the bottom of the device over a collection reservoir. The oil is to be caught in the reservoir and disposed of in an approved manner.

New oil: 0.75 l - Motor oil: W 15/40.

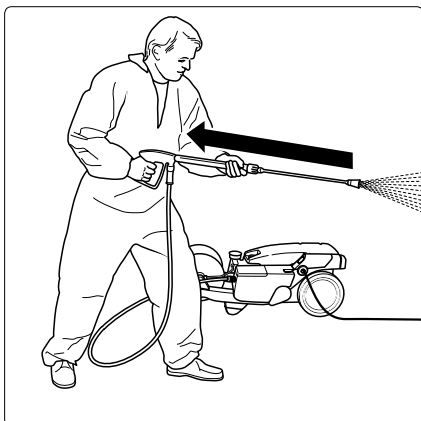


**Oil leakage: If oil leaks contact your nearest after-sales service (dealer) at once. (Ecological damage, damage to the transmission)**

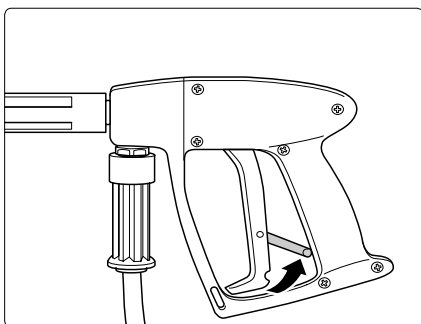


**In case of increased humidity or fluctuations in temperature development of condensed water is possible; if the oil turns grey, you must change it.**

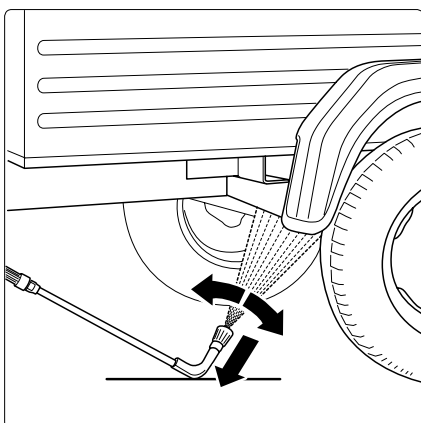
**8 Safety precautions**



Bear in mind that during cleaning tasks with a high-pressure water jet a significant recoil at the lance arises (see technical data on page 4).



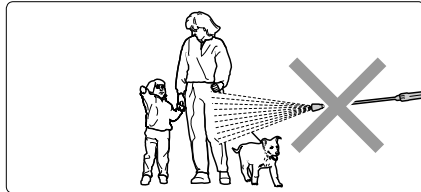
Apply the safety catch on the spray gun after each use, in order to prevent unintentional spraying!



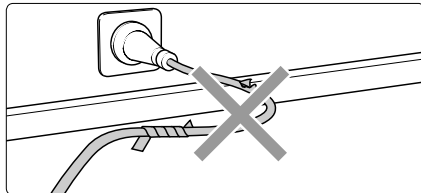
Always aim the underbody lance! Bear in mind when using a curved or angled spraying lance that there is a significant amount of torque in the recoil!



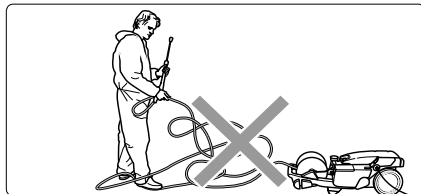
**Safety precautions – This is prohibited!**



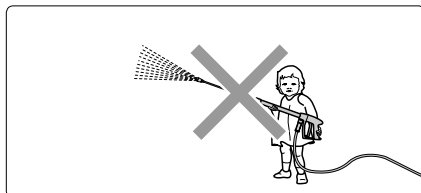
**Never direct the water jet at people or animals!**



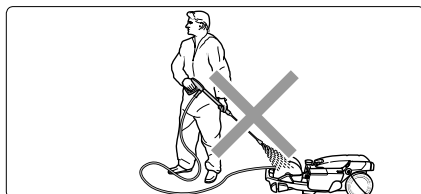
**Only use power cables which are in perfect working order! Do not damage the power cable or repair it incorrectly!**



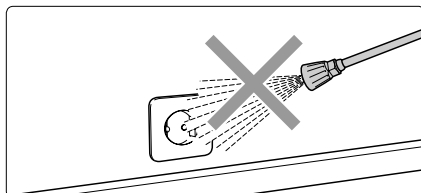
**Never pull the high pressure hose if it has formed kinks or “nooses”!  
Never pull the hose over sharp edges!**



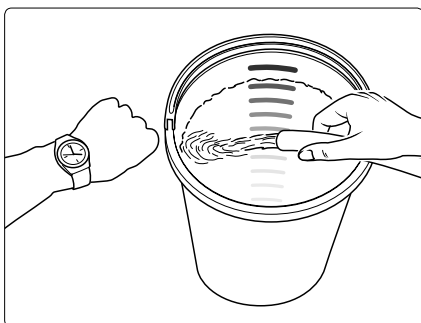
**Never allow children to use the high pressure cleaner!**



**Never direct the water jet at the machine itself!**



**Never direct the water jet at a power socket!**

**10 Please note - important!****■ Lack of water**

Lack of water occurs more often than you probably believe. The more powerful a high-cleaner is the greater is the danger that a lack of water occurs. If there is only an insufficient amount of water available, cavitation arises inside the pump, which is normally noticed too late or even not at all.

**The pump will be destroyed!**

Please check the available quantity of water by filling a bucket with litre scale for one minute.

The following minimum quantity of water is necessary for a safe and problem-free operation of the high-pressure cleaner:

Kränzle Profi 160 TS T:	11 l/min
Kränzle Profi 195 TS T:	8 l/min
Kränzle Profi 175 TS T:	12 l/min
Kränzle Profi 15/120 TS T:	15 l/min



If the metered quantity of water is too small, you have to use a different water connection, guaranteeing the necessary output.

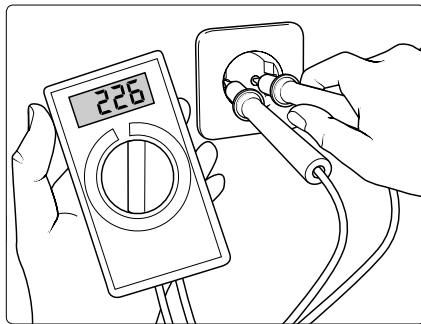
Lack of water leads to an accelerated wear of the joints (no guarantee)

**■ Connection to water supply**

Please pay attention to the regulations of your waterworks company! In accordance with DIN EN 61770, the machine may not be directly connected to the public drinking water supply lines. A brief connection however is permissible according to DVGW (German Association for Gas and Water Affairs) if a tube ventilator with check valve (Kränzle Order-No. 41.016 4) is built into the water supply. Also indirect connection to the public drinking water supply lines is permissible by way of free emission in accordance with EN 61 770; e.g. by using a reservoir with a float valve.

Direct connection to a non-drinking water supply line is permissible

## ■ Insufficient quantity of electricity



If there are too many collectors in your proximity connected to the network at the same time, the available voltage and the current intensity may decline. Consequently the motor of the high-pressure cleaner does not start or even blows.

The power supply may also be insufficient if the power cable is too long or too thin. If extension cables are too long, this may lead to a voltage drop causing malfunctions or start-up difficulties.

### Connected load:

Kränzle Profi 160 TS T:	230 V ~, 50 Hz
Kränzle Profi 195 TS T:	230 V ~, 50 Hz
Kränzle Profi 175 TS T:	400 V 3~, 50 Hz
Kränzle Profi 15/120 TS T:	400 V 3~, 50 Hz



**Check the line fusing and have the voltage and the available current intensity checked by an expert in case of uncertainty.**

## ■ Electrical connection

The machine is supplied with an electrical power cable with plug. The mains plug must be fitted to a standard grounded socket with a 30mA residual current operated device. The socket must be protected with a 16A delay action fuse on the mains side. When using an extension cable, this must have an earthed lead which is properly connected to the socket. The conductors in the extension cable must have a minimum cross section of 1.5 mm<sup>2</sup>. Plug connections must be of a spray-proof design, and may not be located on a wet floor. With extension cables of more than 10 m the minimum cross section must be 2.5 mm! When using a cable drum, always keep the cable wound as far as possible.

## **12 Kränzle technology**

### **■ Water and Cleaning System**

Water can be connected at mains pressure to the high pressure pump or it can be sucked directly from a storage tank. The water is then forced under pressure by the high pressure pump to the lance. The high pressure jet is formed by the nozzle at the end of the lance.



**Environmental, refuse disposal and water protection regulations must be observed!**

### **■ Lance with trigger gun**

The machine can only be operated when the safety trigger is squeezed. When the lever is squeezed, the spray gun opens. The liquid is then pumped to the nozzle. The spray pressure increases and quickly reaches the selected operating pressure. When the trigger is released, the trigger gun closes and any further spraying of liquid from the lance is stopped. The pressure gauge must show 0 bar.

The increase in pressure when the trigger gun is closed causes the pressure control valve-safety valve to open. The motor is switched off by the pressure switch. When the trigger gun is opened, the pressure control valve - safety valve closes, the motor is started and the pump resumes pressure spraying from the lance with the selected operating pressure.



**The trigger gun is a safety device. Repairs should only be performed by qualified persons. Should replacement parts be required, use only components authorized by the manufacturer.**

### **■ Pressure control valve - safety valve**

The pressure control valve - safety valve protects the machine from a build up of excess pressure, and is designed not to permit an excess pressure to be selected for operation. The limit nut on the handle is sealed with a spray coating. The operating pressure and spray rate can be steplessly adjusted by turning the handle.



**Replacements, repairs, new adjustments and sealing should only be performed by qualified persons.**

### ■ Motor protection switch

The motor is protected from overload by a motor protection switch, which cuts out the motor in the event of overload. However should the switch trip frequently, the cause of the malfunction should be located and rectified (see page 9).



**Replacements and inspection work should only be performed by qualified persons when the machine is disconnected from the power supply, i.e. with plug pulled out from the electrical socket.**

### ■ High pressure hose and spray device

The high pressure hose and spraying device supplied with the machine are made of high grade material, they are also optimized for the machine and marked as required by the appropriate regulations.



**If replacement parts are required, only such parts that are authorized by the manufacturer and which bear the markings required by the appropriate regulations may be used. The high pressure hose and spray device must be connected in a pressure-tight manner. The high pressure hose may not be driven over, pulled excessively, or twisted. The hose may under no circumstances be pulled over sharp edges, since otherwise the guarantee is automatically void.**

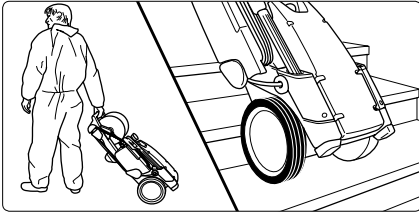
### ■ Total stop system

The new Kränzle Professionals are equipped with an electrical Start/Stop control. Having connected the high-pressure cleaner to the water supply and having connected the HP hose, switch the machine "on" using the On/Off switch. A red light in the switch flashes.

The motor is started by opening the gun. The motor is switched off after the gun has been closed. The high-pressure cleaner works in stand-by until the On/Off switch is switched to "Off". The red light in the switch goes out.

Nach dem Abschalten zum Abbau des Hochdruckes im Schlauch zum Lösen des HD- Having switched off the machine shortly press the trigger to release the pressure to be able to unfasten the HP hose.

## **14** Putting into operation

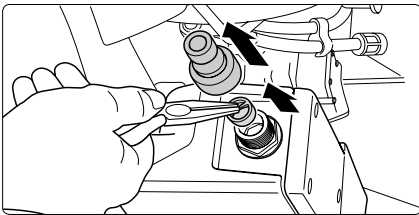


**1.** Move high-pressure cleaner to the job site. The Kränzle Professionals are movable machines with sturdy trolleys ideally suited for difficult terrain and stairs .

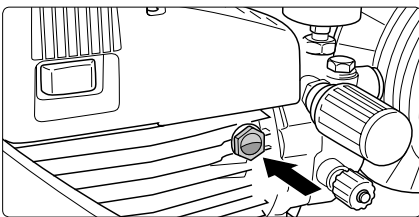
### ■ Setting up – Location



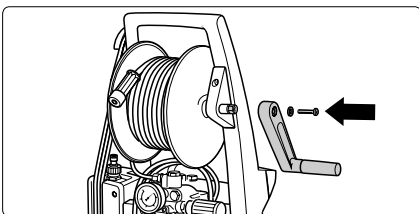
**Neither set up or operate the machine in rooms where there is a risk of fire or explosion nor put it into puddles. Do not use the machine under water.**



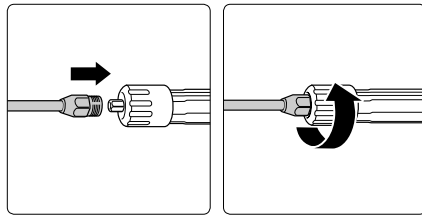
**2.** Check water inlet filter for cleanliness prior to putting the machine into operation!  
**Manually unscrew hose attachment. Take out the serial water inlet filter using needle nose pliers and clean if filter is soiled**



**3.** Each time check oil level at oil-level glass prior to putting HP cleaner into operation. (Take care that cleaner is in horizontal position!)  
**The oil level must be visible in the oil-level glass**

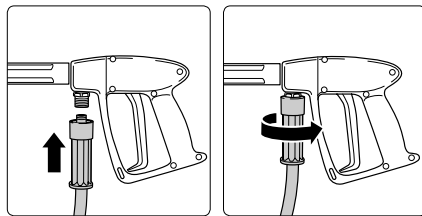


**4.** Put up machine. Release fixing screw from hexagonal base of hose drum, put tiltable handle onto the hexagonal base and fix with screw.



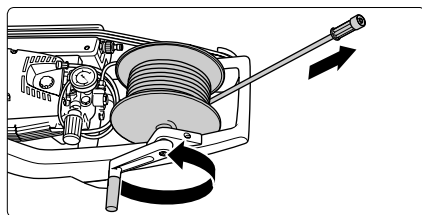
**5.** Push on lance or Dirtkiller lance to gun.

**6.** Screw together lance and gun.

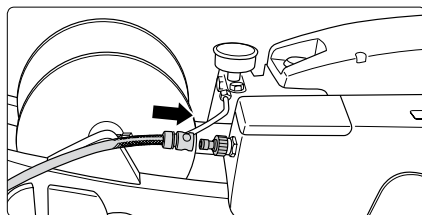


**7.** Push on HP hose to gun.

**8.** Screw together HP hose and gun.  
Bleed machine: Open and close gun several times.



**9.** Put HP cleaner into horizontal position. These machines must be operated in horizontal position! Unwind HP hose from hose drum without kinks and nooses.

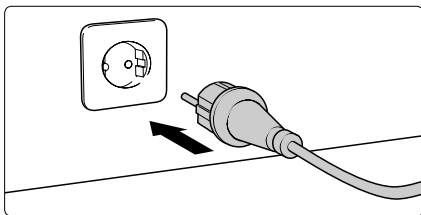


**10.** Connect water hose to water tank. The cleaner may be connected to water mains with cold or 60°C warm water.

■ **Be careful when using hot water!**



**When running your high pressure cleaner with hot water of 60° C raised temperatures occur. Do not touch the metal parts of the cleaner without safety gloves!**

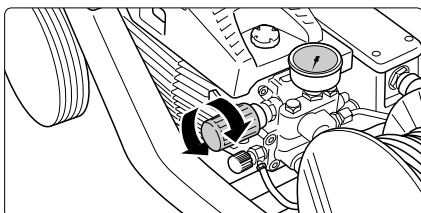
**16** Putting into operation

**11.** Connect to circuit.

**Kränzle Profi 160 TS T + 195 TS T:**  
230 Volt, 50 Hz.

**Kränzle Profi 175 TS T + 15/120 TS T:**  
400 Volt, 50 Hz.

The socket must be protected with a 16A delay action fuse on the mains side.



**12.** Steplessly adjust operating pressure with handwheel. The maximum pressure is adjusted ex work.

**(Kränzle Profi 160 TS T: 140 bar,**

**Kränzle Profi 195 TS T: 170 bar**

**Kränzle Profi 175 TS T: 150 bar**

**Kränzle Profi 15/120 TS T: 120 bar)**

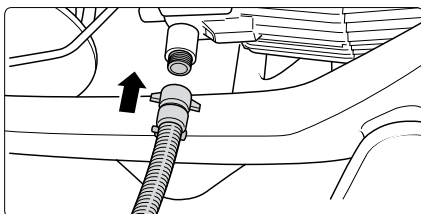


**13.** Switch on high-pressure cleaner with opened trigger gun and start cleaning task.

**Note**

Depending on the water quality it may happen that the valves get sticky after an extended standstill. Consequently the appliance cannot build up an appropriate pressure.

Please remove the water box (see page 17, 1.+2.) and connect a water hose with pressurised water to the pump inlet. Once having started the appliance the pressurised water opens the valves so that you can refit the water box and continue with your cleaning tasks as before.



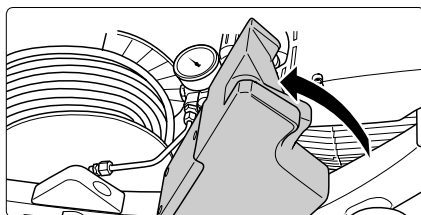
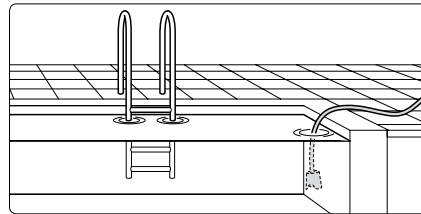
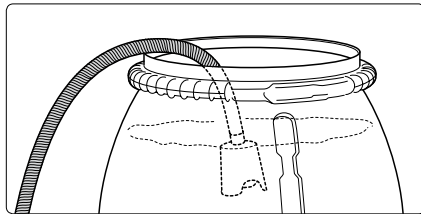


## Direct suction

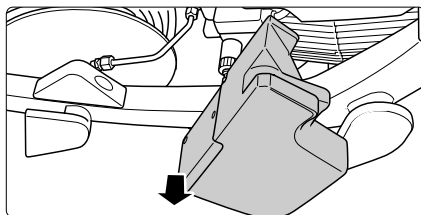
### Sucking in water from ponds, rain butts etc.

Due the suction capacity of its pump (up to 2.5 m suction height) this high-pressure cleaner can suck in water for cleaning purposes from separate containers or ponds.

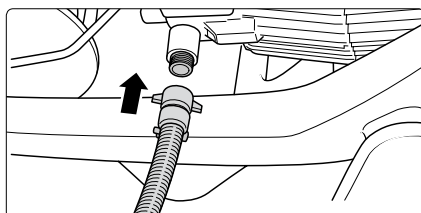
**In this case the water tank has to be disassembled.**



**1.** Tip the water tank



**2.** Draw water tank from machine



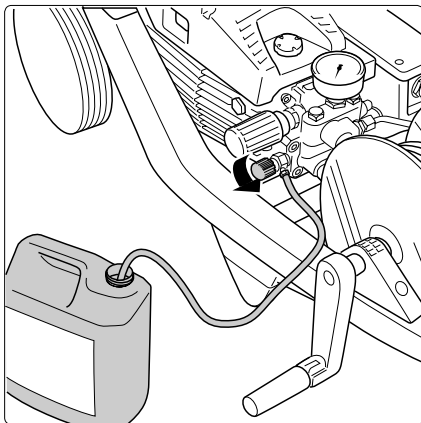
**3.** Mount suction hose with suction filter (Kränzle accessories No. 15.038 3).  
When using other hoses the inner cross section of the hose must be at least  $\frac{1}{2}$ " = 12.7 mm.

**Make sure to use clean water only!**

**18 Suction of detergents****■ with detergent supply from the suction side:**

Detergent injection on the pressur side, as you probably know it from other HP cleaners, consume approx. 30 % of the cleaning energy, no matter if they are used or not. Due to the water tank fitted to the Kränzle Professional cleaners it is now possible to directly suck the detergent into the pump thus reducing output loss and increasing the efficiency considerably.

**The detergents are applied without having to reduce the working pressure.**



- 1.** Place detergent filter into detergent container.
- 2.** Dosing of detergent is done by turning the detergent valve.
- 3.** By closing the detergent valve the supply of detergent is stopped.



**Observe specifications of detergent manufacturer!**  
e.g.: protective equipment, rules for waste water treatment etc.

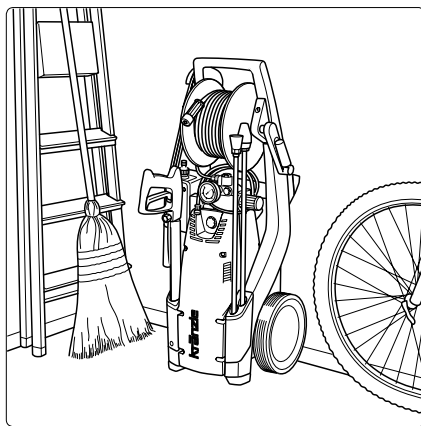
**Caution: dissolvents!**

**Never suck in liquids containing solvents like varnish solvents, petrol, oil or similar liquid! Observe specifications of detergent manufacturers!**  
**Seals inside the appliance are no resistant against solvents!**  
**The spray mist of solvents is highly inflammable, explosive and poisonous.**

## To shut down the pump

1. Switch off the machine
2. Cut off the water supply
3. Open the spray gun briefly until the pressure is released
4. Apply the safety catch on the spray gun
5. Remove the water hose and spray gun
6. Drain the pump: switch on the motor for approx. 20 seconds
7. Pull the plug from the socket
8. Clean HP hose and wind up
9. Clean power cable and wind up
10. Clean water filter
11. Winter: store the pump in rooms above 0°C

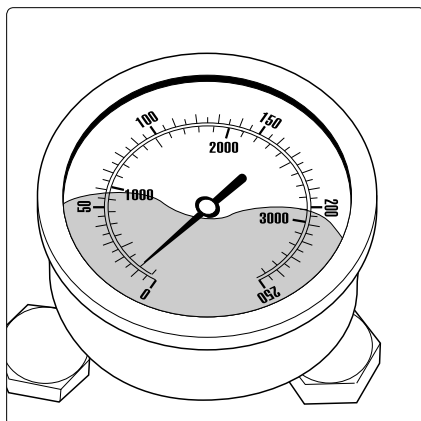
### ■ Store in a place-saving manner



Due to their compact and space saving design these professional cleaners can be stored practically anywhere.

**20 Small repairs - do it yourself**

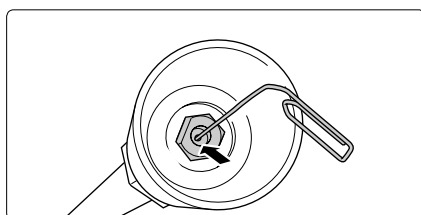
■ No water from the nozzle but the gauge shows full pressure:  
Most likely the nozzle is blocked.



The pressure gauge shows full pressure, but from the nozzle comes only little water or no water at all.

(Inside the pressure gauge is no water but a filling with glycol to damp the vibration of the pointer.)

Screw off gun and lance and rinse hose from possible residues



Check water inlet filter for soiling.

Take wire (paper clip) and push through nozzle opening.



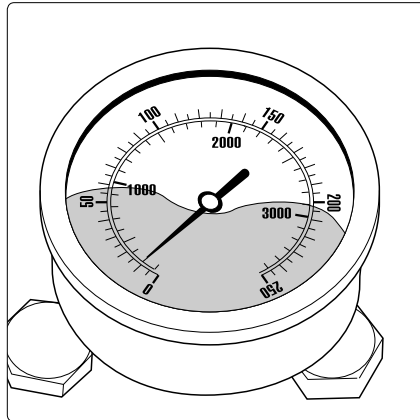
**CAUTION! Pull plug from socket prior to starting any repair work!**

---

## Small repairs - do it yourself

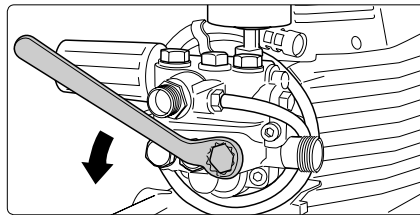
21

■ Pressure gauge shows little pressure, the water from the nozzle comes in squirts: Most likely the valves are soiled or sticky.

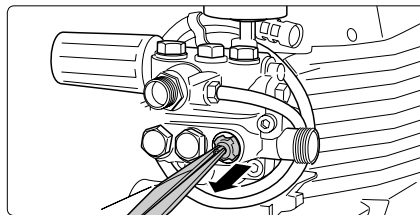


The pressure gauge shows little pressure despite fully turned up pressure regulation. The water from the lance comes in squirts. The HP hose vibrates.

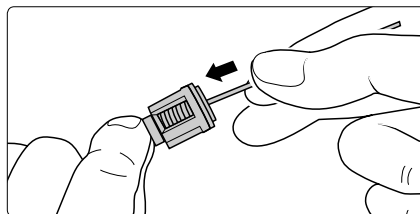
(Inside the pressure gauge is no water but a filling with glycol to damp the vibration of the pointer.)



Unscrew all 6 valves, one after the other (hexagonal brass screws, 3 in a row, vertically and horizontally)



Take out valve body (with green or red plastic coating) and rubber ring by means of needle nose pliers.



Take a wire and clean valves under running water. Do not forget the O-ring during reassembly!

**22 Inspection report for HP cleaners**

Inspection report on annually carried out Labour Safety Inspection (UVV) according to the Guidelines for Liquid Spray Equipment. (This inspection sheet serves as proof for the completion of the retest and must be kept carefully!) Kränzle test seal: Order.no..UVV200106

Owner: ..... Type:.....  
 Address: ..... Serial no.: .....  
 ..... Rep.-order-no.: .....

Scope of inspection	o.k.	yes	no	repaired
Type plate (on hand)				
Operating manual (on hand)				
Protective covering, -device				
Pressure line (tightness)				
Pressure gauge (function)				
Float valve (tightness)				
Spraying device (marking)				
HD-hose / connector (damage, marking)				
Safety valve opens at 10 % / 20 % exceeding of operang pr.				
Power cable (damage)				
Protective conductor (connected)				
On / Off switch				
Used chemicals				
Allowed chemicals				
Inspection data	determined value		set value	
High-prsure nozzle				
Operating pressure.....bar				
Switch off pressure.....bar				
Conductor reist. not exceeded / value				
Insulation				
Leakage current				
Gun locked				

**Inspection result (tick)**

- The appliance was checked by an expert according to the Guidelines for Liquid Spray Equipment, the defects found have been rectified so that the Labour Safety can be confirmed.
- The appliance was checked by an expert according to the Guidelines for Liquid Spray Equipment. The Labour Safety cannot be confirmed unless the defects found are rectified by repair or replacement of the faulty parts

The next retest according to the Guidelines for Liquid Spray Equipment has to be carried out by : Month .....Year .....

Place, date ..... Signature .....







## Inspection report for HP cleaners

Inspection report on annually carried out Labour Safety Inspection (UVV) according to the Guidelines for Liquid Spray Equipment. (This inspection sheet serves as proof for the completion of the retest and must be kept carefully!) Kränzle-Prüfsiegelmarken: Best.-Nr.UVV200106

Owner: ..... Type:.....  
 Address: ..... Serial no.: .....  
 ..... Rep.-order-no.: .....

Scope of inspection	o.k.	yes	no	repaired
Type plate (on hand)				
Operating manual (on hand)				
Protective covering, -device				
Pressure line (tightness)				
Pressure gauge (function)				
Float valve (tightness)				
Spraying device (marking)				
HD-hose / connector (damage, marking)				
Safety valve opens at 10 % / 20 % exceeding of operang pr.				
Power cable (damage)				
Protective conductor (connectedt)				
On / Off switch				
Used chemicals				
Allowed chemicals				


Inspection data	determined value	set value
High-prsure nozzle		
Operating pressure.....bar		
Switch off pressure.....bar		
Conductor reist. not exceeded / value		
Insulation		
Leakage current		
Gun locked		

**Inspection result (tick)**

- The appliance was checked by an expert according to the Guidelines for Liquid Spray Equipment, the defects found have been rectified so that the Labour Safety can be confirmed.
- The appliance was checked by an expert according to the Guidelines for Liquid Spray Equipment. The Labour Safety cannot be confirmed unless the defects found are rectified by repair or replacement of the faulty parts

The next retest according to the Guidelines for Liquid Spray Equipment has to be carried out by :  
 Month ..... Year .....  
 Place, date ..... Signature .....

**26 EC declaration of conformity**

■ Hereby we declare that:	<b>Kränzle Profi 160 TS T, Kränzle Profi 195 TS T, Kränzle Profi 175 TS T, Kränzle Profi 15/120 TS T</b>
technical specifications available from:	<b>Manfred Bauer, Fa. Josef Kränzle Rudolf-Diesel-Str. 20, 89257 Illertissen</b>
Nominal flow	<b>K Profi 160 TS T: 660 l/h K Profi 195 TS T: 480 l/h K Profi 175 TS T: 720 l/h K Profi 15/120 TS T: 900 l/h</b>
comply with the following guidelines and their amendments for high-pressure cleaners:	<b>machinery directive 2006/42/EEC, EMV-directive 2004/108 EEC, noise directive 2005/88/EC, Art. 13, HP water spraying machines annex 3, part B, chapter 27</b>
Sound level measured:	<b>Kränzle Profi 160 / 195 TST: 87 dB (A) Kränzle Profi 175 / 15/120 TST: 89 dB (A)</b>
Sound level guaranteed:	<b>Kränzle Profi 160 / 195 TST: 89 dB (A) Kränzle Profi 175 / 15/120 TST: 91 dB (A)</b>
Applied conformity evaluation procedures	<b>annex V, noise directive 2005/88/EC</b>
Applied specifications and standards:	<b>EN 60 335-2-79 :2009 EN 55 014-1 :2006 EN 61 000-3-2 :2006 EN 61 000-3-3 :2008</b>
I. Kränzle GmbH Elpke 97 D - 33605 Bielefeld  Bielefeld, 01.03.2012	 <hr/> <b>Kränzle Josef (Managing director)</b>

---

## Guarantee

■ The guarantee is only valid for material and manufacturing errors. Wearing does not fall within this guarantee.

The instructions in our operating manual must be complied with. The operating instructions form part of the guarantee. The Guarantee is void if other parts are used than genuine Kränzle accessory parts or genuine Kränzle spare parts.

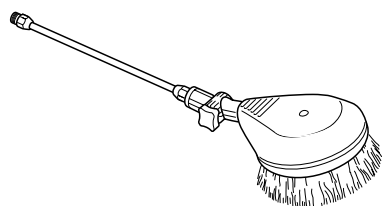
For high-pressure cleaners sold to the user the guarantee period is **24 month**.  
For high-pressure cleaners sold for industrial use the guarantee period is **12 month**.

In the case of a guarantee please contact your dealer or authorized seller delivering accessories and your purchase receipt. You can find them in the internet under **[www.kraenzle.com](http://www.kraenzle.com)**.

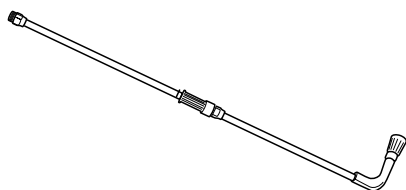
The guarantee is also void if the machine is used with exceeding the temperature and speed limits, a voltage below the required rating, with less than the required amount of water or with dirty water.

Pressure gauge, nozzle, valves, sleeves, high pressure hose and spray equipment are wear parts and are not covered by the warranty.

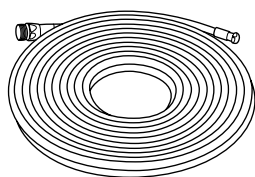
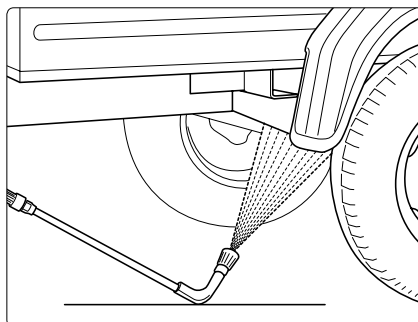
**28** Versatile due to Kränzle accessories



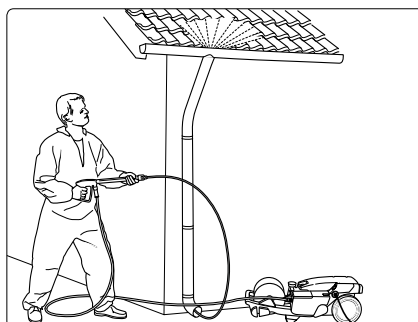
**Rotating washing brush with 400 mm extension, Order no. 41 050 1**

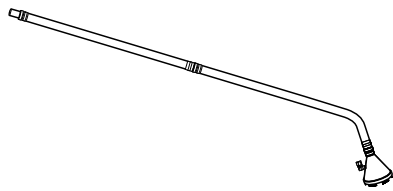


**Underbody lance with 800 mm extension, Order no. 41 075**

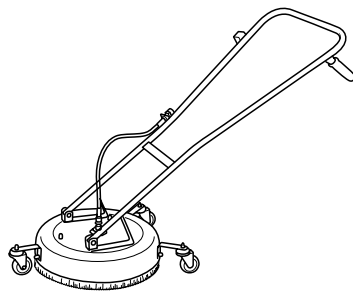
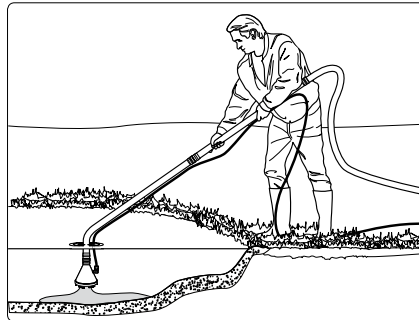


**Tube cleaning hose with nozzle,**  
**10 m - Order no. 41 058 1**  
**20 m - Order no. 41 058 2**  
**25 m - Order no. 41 058 3**  
**30 m - Order no. 41 058 4**

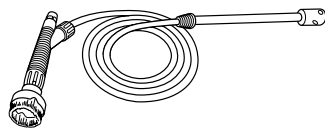




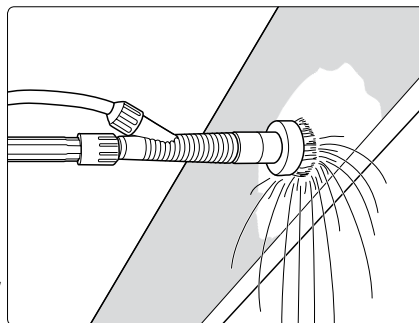
**Stainless steel sludge sucker,**  
Order no. 41 801



**round cleaner ø 420 mm, Order no. 41 106**  
**round cleaner ø 520 mm, Order no. 41 107**

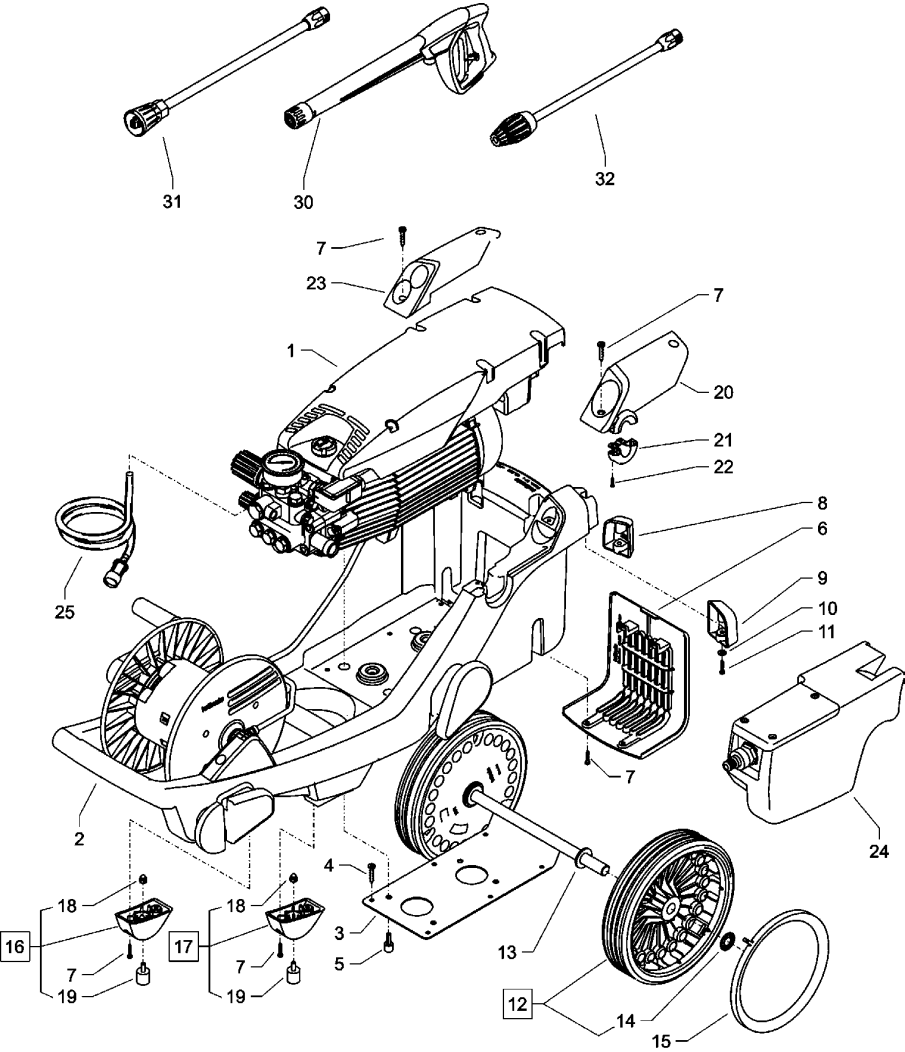


**Sand blasting set compl up to 12 l/min, 150 bar**  
Order no.41 068 1



**30 Spare parts list Kränzle Profi**

**Complete assembly**

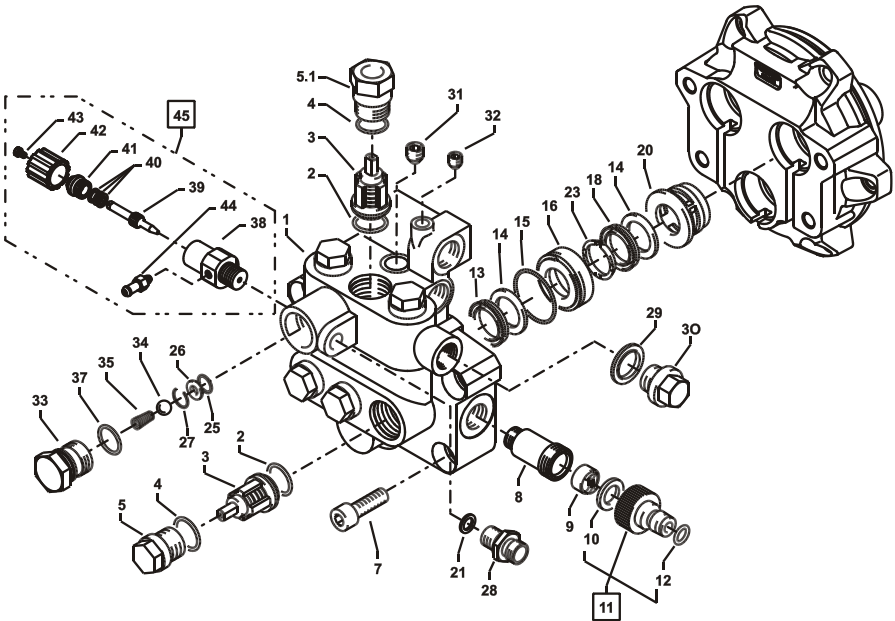


**Complete assembly**

No	Description	Qty.	Ord.-No
1	Motor-Pumpen-Einheit		
	Profi 160 TST	1	43.861
	Profi 195 TST	1	43.862
	Profi 175 TST	1	43.863
	Profi 15/120 TST	1	43.864
2	Fahrgestell	1	43.802
3	Bodenplatte für Kränzle Profi	1	43.814
4	Schraube 6,0 x 30	6	43.423
5	Schraube M 8 x 12	4	40.122
6	Luftgitter	1	43.803
7	Schraube 5,0 x 20	10	43.018
8	Standfuß links	1	43.808
9	Standfuß rechts	1	43.809
10	Scheibe 6,4mm	2	50.189
11	Schraube 5,0 x 50	2	41.411
12	Rad d250mm	2	43.817
13	Scheibe 19mm	2	43.830
14	Klemmring 18mm	2	43.820
15	Radkappe	2	46.509
16	Aufnahme Gummipuffer links	1	43.812
17	Aufnahme Gummipuffer rechts	1	43.813
18	Elastic-Stop-Mutter M6	2	14.152 1
19	Gummipuffer 20 x 20	2	43.818
20	Köcher Pistole	1	43.806
21	Zugentlastung	1	43.815
22	Schraube 3,5 x 14	2	44.525
23	Köcher Lanzen	1	43.804
24	Wasserkasten kpl.	1	43.860
25	Chemikaliensaugschlauch mit Filter	1	15.038 6
30	Pistole M2000	1	12.480
31.1	Flachstrahldüse M2003 mit Lanze 500 mm für Profi 195 TST	1	12.393-M2003
31.2	Flachstrahldüse M20042 mit Lanze 500 mm für Profi 160TST + Profi 175 TST	1	12.393-M20042
31.3	Flachstrahldüse M2007 mit Lanze 500 mm für Profi 15/120 TST	1	12.393-M2007
32.1	Schmutz-Killer 03 mit Lanze 500 mm für Profi 195 TST	1	41.570-03
32.2	Schmutz-Killer 042 mit Lanze 500 mm für Profi 160TST + Profi 175 TST	1	41.570-042
32.3	Schmutz-Killer 07 mit Lanze 500 mm für Profi 15/120 TST	1	41.570-07

**32 Spare parts list Kränzle Profi**

**Valve housing for integrated AM-pump**

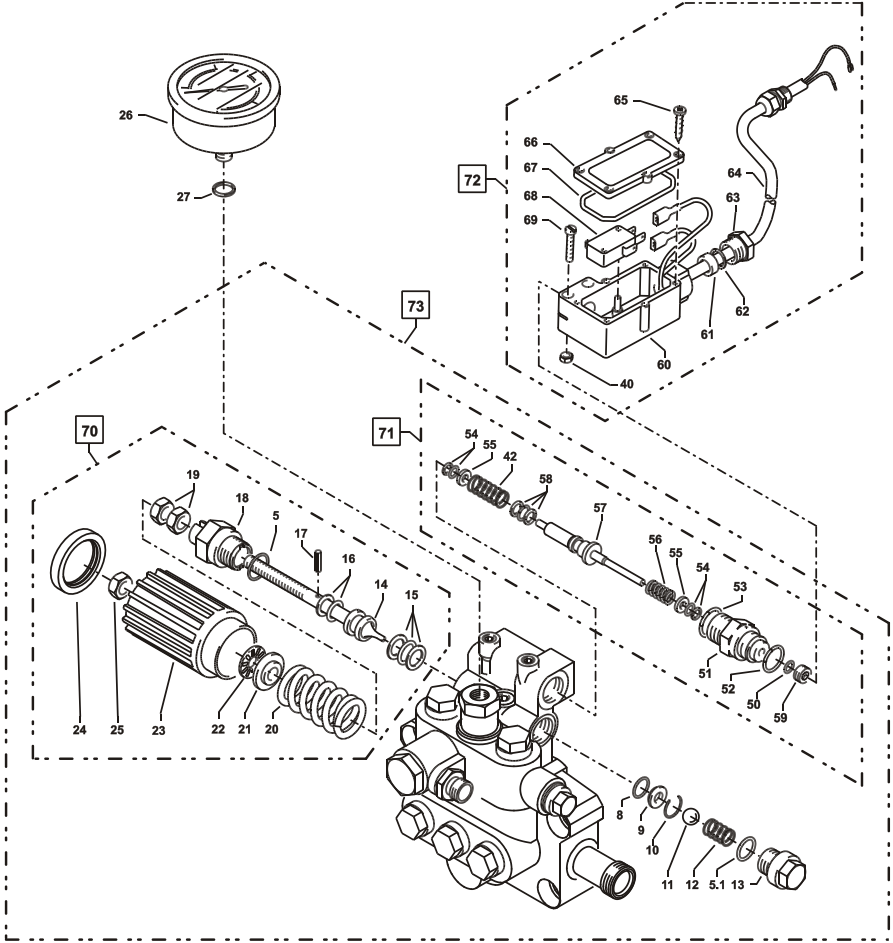




**Valve housing for integrated AM-pump**

No	Description	Qty.	Ord.-No
01	Ventilgehäuse AM- Pumpe	1	40.451 1
02	O- Ring 15 x 2	6	41.716
03	Ventile (grün)	6	41.715 1
04	O- Ring 16 x 2	6	13.150
05	Ventilstopfen	5	41.714
05.1	Ventilstopfen mit R1/ 4" IG	1	42.102
07	Innensechskantschraube M10 x 30	4	43.832
08	Sauganschluss R 3/8"	1	43.825
09	Wasserfilter	1	41.046 2
10	Gummi Dichtring	1	41.047 1
11	Steckkupplung	1	41.047 2
12	O- Ring	1	41.047 3
13	Manschette 18 x 26 x 4/ 2	3	41.013
14	Backring 18 mm	6	41.014
15	O- Ring	3	40.026
16	Leckagering 18 mm	3	41.066
18	Gewebemanschette 18 x 26 x 5,5/ 3	3	41.013 1
20	Zwischenring 18 mm	3	41.015 2
21	Aluminium-Dichtring	2	13.275
23	Druckring	3	41.018
25	O-Ring 11 x 1,5	1	12.256
26	Edelstahlsitz Ø 7	1	14.118
27	Sprengring	1	13.147
28	Ermetonippel R1/ 4" x 8	1	41.042
29	Kupferring	1	42.104
30	Dichtstopfen R1/ 4" mit Bund	1	42.103
31	Dichtstopfen M10 x 1	1	43.043
32	Dichtstopfen M 8 x 1	2	13.158
33	Ausgangsteil	1	40.522
34	Edelstahlkugel Ø10	1	12.122
35	Rückschlagfeder „K“	1	14.120 1
37	O- Ring 18 x 2	1	43.446
38	Grundteil Eckventil R 3/8"	1	46.600 1
39	Ventilnadel	1	46.601
40	Parbaks 6 mm	1	46.606
41	Führungsteil	1	46.602
42	Handrad	1	46.603
43	Schraube M 4x8 Messing	1	46.604
44	Saugzapfen M10x1	1	13.236
45	<b>Chemieventil R 3/8" kpl.</b>	<b>1</b>	<b>46.615</b>
<b>Reparatur-Sätze:</b>			
<b>Reparatursatz Manschetten 18 mm</b>			<b>41.049 1</b>
bestehend aus je			
3 x Pos. 13; 6 x Pos. 14; 3 x Pos. 15; 3 x Pos. 23; 3 x Pos. 18			
<b>Reparatursatz Ventile für APG-Pumpe</b>			<b>41.748 1</b>
bestehend aus je 6 x Pos. 2; 6 x Pos. 3; 6 x Pos. 4			

**34** Spare parts list Kränzle Profi  
Unloader valve and pressure switch

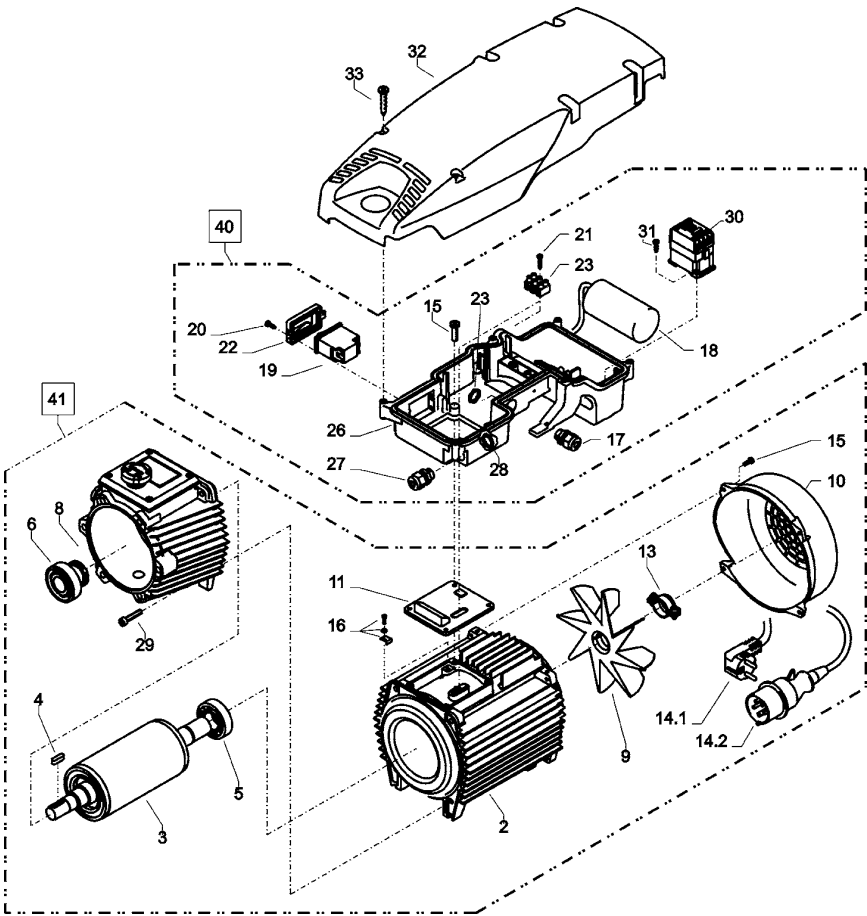


**Unloader valve and pressure switch**

**35**

No	Description	Qty.	Ord.-No
5	O-Ring 16 x 2	1	13.150
5.1	O-Ring 13,94 x 2,62	1	42.167
8	O-Ring 11 x 1,44	1	12.256
9	Edelstahlsitz	1	14.118
10	Sicherungsring	1	13.147
11	Edelstahlkugel	1	13.148
12	Edelstahlfeder	1	14.119
13	Verschlussschraube	1	14.113
14	Steuerkolben	1	14.134
15	Parbaks 16 mm	1	13.159
16	Parbaks 8 mm	1	14.123
17	Spanstift	1	14.148
18	Kolbenführung spezial	1	42.105
19	Kontermutter M 8 x 1	2	14.144
20	Ventilfeder schwarz	1	14.125
21	Federdruckscheibe	1	14.126
22	Nadellager	1	14.146
23	Handrad AM-Pumpe	1	40.457
24	Kappe Handrad AM-Pumpe	1	40.458
25	Elastic-Stop-Mutter M 8 x 1	1	14.152
26	Manometer 0-250 Bar	1	15.039
27	Aluminium-Dichtring	2	13.275
40	Sechskant - Mutter M 4	2	12.138
42	Druckfeder 1 x 8,6 x 30	1	40.520
50	O-Ring 3,3 x 2,4	1	12.136
51	Führungsteil Steuerstößel	1	15.009 1
52	O-Ring 13 x 2,6	1	15.017
53	O-Ring 14 x 2	1	43.445
54	Parbaks 4mm	2	12.136 2
55	Stützscheibe	2	15.015 1
56	Edelstahlfeder	1	15.016
57	Steuerstößel	1	15.010 2
58	Parbaks 7mm	1	15.013
59	Stopfen M 10 x 1 (durchgebohrt)	1	13.385 1
60	Gehäuse Elektroschalter	1	15.007
61	Gummimanschette PG 9	1	15.020
62	Scheibe PG 9	1	15.021
63	Verschraubung PG 9	1	15.022
64	Kabel 2x 1,5 mm <sup>2</sup>	1	15.019 1
65	Blechschrabe 2,8 x 16	6	15.024
66	Deckel Elektroschalter	1	15.008
67	O-Ring 44 x 2,5	1	15.023
68	Mikroschalter	1	15.018
69	Zylinderschraube M 4 x 20	2	15.025
<b>70</b>	<b>Steuerkolben kpl. mit Handrad</b>		<b>40.490</b>
<b>71</b>	<b>Rep.- Satz Druckschaltermechanik</b>		<b>15.009 3</b>
<b>72</b>	<b>Druckschalter kpl.</b>		<b>41.300 6</b>
<b>73</b>	<b>Ventilgehäuse kpl. ohne Manometer</b>		<b>43.869</b>

**36** Spare parts list Kränzle Profi  
Motor



**Motor**

No	Description	Qty.	Ord.-No
3	Rotor mit Motorwelle	1	43.316
4	Passfeder 6 x 6 x 20	1	41.483 1
5	Motor-Lager B-Seite 6205 - 2Z	1	43.317
6	Motor-Lager Schulterlager 7304	1	41.027
8	Öldichtung 25 x 35 x 7	1	41.024
9	Lüfterrad BG 90	1	43.319
10	Lüfterhaube BG 90	1	43.320
11	Flachdichtung	1	43.030
12	Innensechskantschraube M 6 x 30	4	43.037
13	Schelle für Lüfterrad mit Schrauben	1	43.454
15	Schraube M 4 x 12	10	41.489
16	Erdungsschraube kpl.	1	43.038
17	Kabelverschraubung PG 13,5	1	40.539
20	Blechschrabe 3,5 x 9,5	2	41.088
22	Klemmrahmen mit Schalterabdichtung	1	43.453
23	Überwurfmutter für PG 13,5	1	44.253
24	Lüsterklemme 3-polig	1	43.326
26	E-Kasten	1	43.800
27	Kabelverschraubung PG 9	1	41.087
28	Überwurfmutter für PG 9	1	41.087 1
33	Schraube 5,0 x 20	6	43.018

**Kränzle Profi 160 TST, 195 TST:**

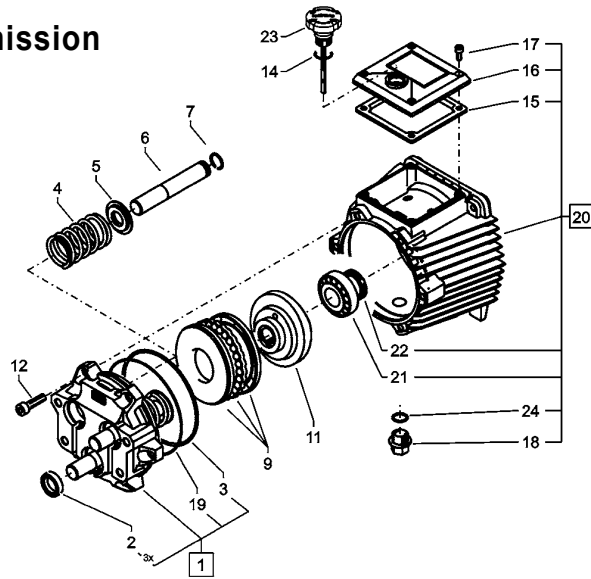
2.1	Motorgehäuse mit Stator Wechselstrom	1	43.826
14.1	Kabel mit Stecker (Schuko)	1	41.092
18	Kondensator 70 µF	1	43.322
19.1	Schalter mit 14,5 A	1	41.111 6
21.1	Blechschrabe 2,9 x 16	1	43.036
32.1	Deckel Profi 160 TST	1	43.801 1
32.2	Deckel Profi 195 TST	1	43.801 2
40.1	<b>Schaltkasten Wechselstrom kpl. Pos. 17 – 28</b>		43.865
41.1	<b>Motor Wechselstrom kpl. ohne Schalter Pos. 1 - 16</b>		43.867

**Kränzle Profi 175 TST, 15/120 TST:**

2.2	Motorgehäuse mit Stator Drehstrom	1	43.827
14.2	Kabel mit Stecker (CE-KON)	1	41.092 1
19.2	Schalter 8 A Amazonas	1	41.751
21.2	Schraube 3,5 x 20	1	43.415
30	Schütz 100-C12KN10 3x400V 50/60 Hz	1	46.005 1
31	Schraube 4,0 x 16	2	43.417
32.3	Deckel Profi 175 TST	1	43.801 3
32.4	Deckel Profi 15/120 TST	1	43.801 4
40.2	<b>Schaltkasten Drehstrom kpl. Pos. 17, 19 – 31</b>		43.866
41.2	<b>Motor Drehstrom kpl. ohne Schalter Pos. 1 - 16</b>		43.868

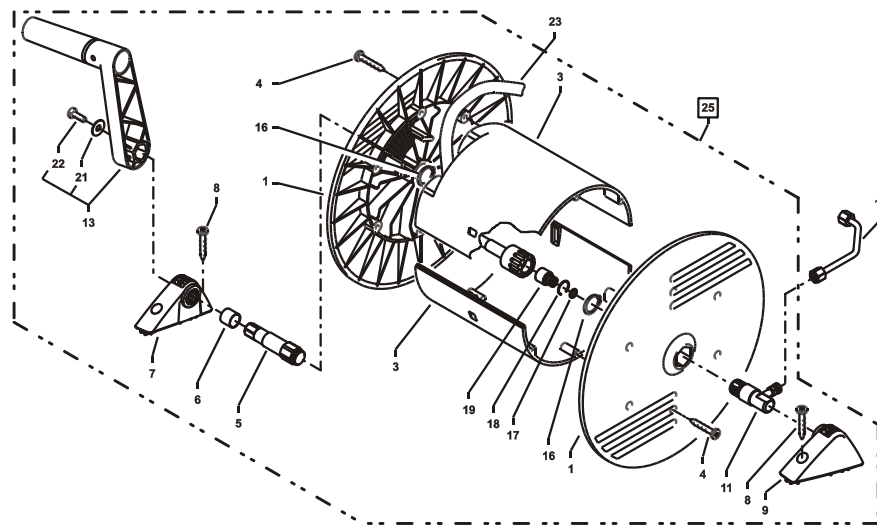
**38 Spare parts list Kränzle Profi**

**Transmission**



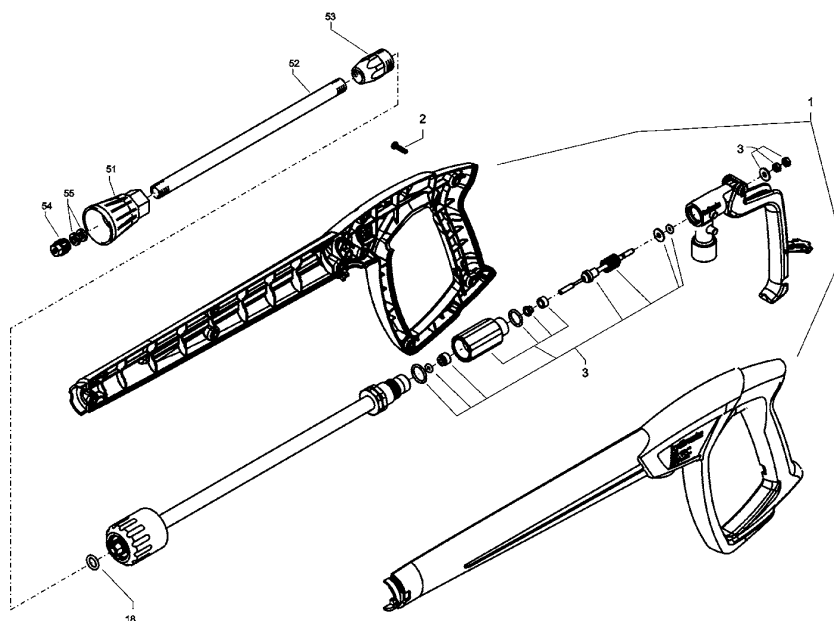
No	Description	Qty.	Ord.-No
1	Gehäuseplatte mit Dichtungen	1	40.471
2	Öldichtung 18 x 28 x 7	3	41.031
3	O-Ring 113,97 x 2,62	1	40.474
4	Plungerfeder	3	40.453
5	Federdruckscheibe	3	40.454
6	Plunger 18mm (AM-Pumpe)	3	40.455
7	Sprengring	3	41.035
9	Axial-Rillenkugellager AM	1	40.462
11.1	Taumelscheibe 8,9° Profi 160 TST	1	40.473-8,9
11.2	Taumelscheibe 7,4° Profi 195 TST	1	40.473-7,4
11.3	Taumelscheibe 9,5° Profi 175 TST	1	40.473-9,5
11.4	Taumelscheibe 12,25° Profi 15/120 TST	1	40.473-12,25
12	Schraube DIN912 M 8 x 30	6	41.036 3
14	O-Ring 14 x 2	1	43.445
15	Dichtung Öldeckel	1	41.019 3
16	Öldeckel	1	41.023 1
17	Schraube DIN912 M 5 x 12	4	41.019 4
18	Ölablassstopfen R 3/8"	1	42.019
19	O-Ring 98 x 1,5	1	40.475
20	Ölgehäuse Profi kpl.	1	40.470 2
21	Motor-Lager Kegelrollenlager 31304	1	40.472
22	Öldichtung 25 x 35 x 7	1	41.024
23	Ölverschlussschraube mit Ölmesstab	1	48.017
24	Ring 13,94 x 2,62	1	42.167

Hose drum



No	Description	Qty.	Ord.-No
1	Seitenschale	2	46.201
3	Trommelteil	2	46.202
4	Kunststoffschraube 5,0 x 20	12	43.018
5	Antriebswelle	1	43.831
6	Abdeckhülse	1	43.823
7	Lagerklotz links	1	43.810
8	Schraube 6,0 x 30	4	43.423
9	Lagerklotz rechts	1	43.811
10	Verbindungsrohr	1	43.824
11	Welle Wasserführung	1	43.816
13	Handkurbel	1	40.320 0
16	Wellensicherungsring 22 mm	2	40.117
17	O-Ring 9,3 x 2,4	1	13.273
18	Sprengring	1	13.405
19	Drehnippel kpl.	1	13.406
21	Scheibe 5,3	1	50.152
22	Schraube M 5 x 14	1	40.536
23	Hochdruckschlauch 15m NW6	1	43.829
25	Schlauchtrommel kpl., ohne HD-Schlauch		43.870

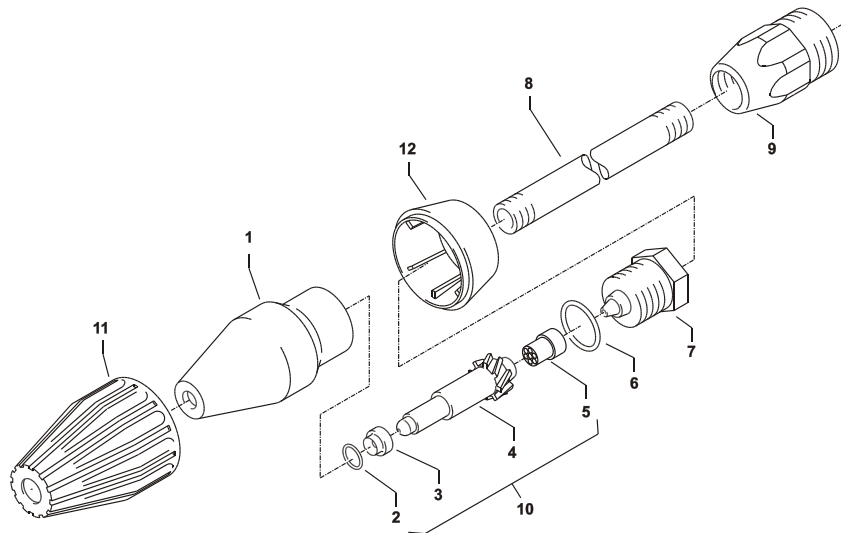
**40** Spare parts list Kränzle Profi  
Gun with lance



Position	Bezeichnung	Stck.	Bestell-Nr.
1	Pistolschale re+li	1	12.450
2	Schraube 3,5 x 14	10	44.525
3	Reparatursatz M2000		12.454
18	O-Ring 9,3 x 2,4	1	13.273
51	Düsenchutz	1	26.002 1
52	Rohr 500 mm; bds. M12x1	1	41.527 1
53	ST 30 Nippel M 22 x 1,5 / M12x1 m. ISK	1	13.363
54	Flachstrahldüse 20030 (Profi 195 TST)	1	M20030
54.1	Flachstrahldüse 20042 (Profi 160 TST, 175 TST)	1	M20042
54.2	Flachstrahldüse 25070 (Profi 15/120 TST)	1	D25070
55	Aluminium-Dichtring 8,3x11,3x2	2	13.275 1

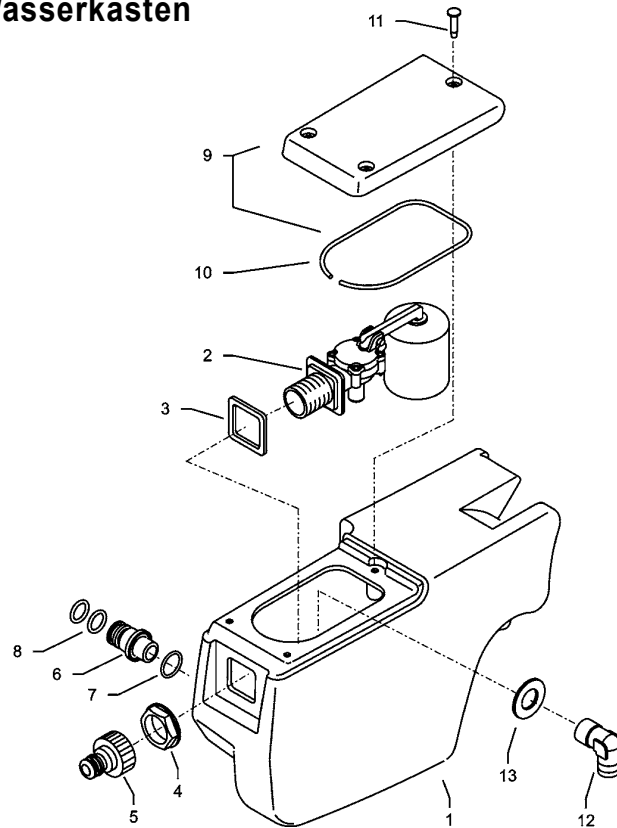


Dirtkiller with lance



No	Description	Qty.	Ord.-No
1	Sprühkörper	1	41.520
2	O-Ring 6,88 x 1,68	1	41.521
3	Düsensitz	1	41.522
4.1	Düse 042 (160 TST, 175 TST)	1	41.523 6
4.2	Düse 03 (195 TST)	1	41.523 4
4.3	Düse 07 (15/120 TST)	1	41.523 2
5	Stabilisator	1	41.524
6	O-Ring	1	40.016 1
7	Sprühstopfen	1	41.526
8	Rohr 500 mm 2x M 12 x 1	1	41.527 1
9	ST 30-Nippel M 22 x 1,5 / M 12 x 1 ISK	1	13.363
10.1	Rep.-Satz Schmutzkiller 03		41.096 1
10.2	Rep.-Satz Schmutzkiller 042		41.096 5
10.3	Rep.-Satz Schmutzkiller 07		41.097 9
	bestehend aus je 1x 2; 3; 4.1; 5		
11	Kappe vorn für Schmutzkiller	1	41.528 1
12.1	Kappe hinten für Schmutzkiller 03	1	41.542 1
12.2	Kappe hinten für Schmutzkiller 042	1	41.540 2
12.3	Kappe hinten für Schmutzkiller 07	1	41.540 3

**42 Spare parts list Kränzle Profi  
Wasserkasten**



Position	Bezeichnung	Stck.	Bestell-Nr.
1	Wasserkasten	1	43.821
2	Schwimmerventil	1	46.250 1
3	Dichtung für Schwimmerventil	1	46.261
4	Mutter R3/4"	1	46.258
5	Steckkupplung	1	41.047 2
6	Tülle R 3/8" Ausgang Wasserkasten	1	43.836
7	O-Ring 21 x 2	1	40.015
8	O-Ring 13,94 x 2,62	2	42.167
9	Deckel Wasserkasten mit Dichtung	1	43.822
10	Dichtung Deckel Wasserkasten	1	43.822 1
11	Schraube 5,0 x 20	1	43.018
12	Winkel R 3/8" IG/AG	1	44.127
13	Scheibe 16,7 x 33 x 2	1	43.837





**I. Kränzle GmbH  
Elpke 97  
D - 33605 Bielefeld**

Subject to technical modifications. Order no.30.764 1

Reprint only allowed with the authorization of Kränzle

As date of 04/19/2013

■ Made  
■ in  
■ Germany

[www.kraenzle.com](http://www.kraenzle.com)