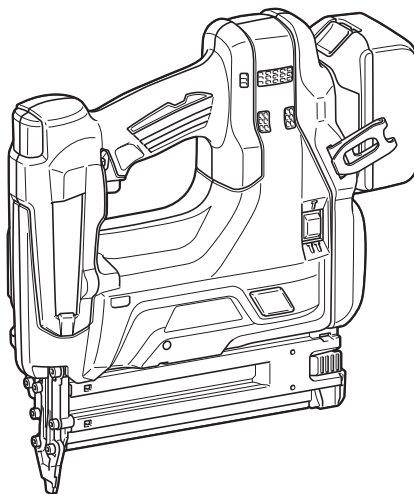




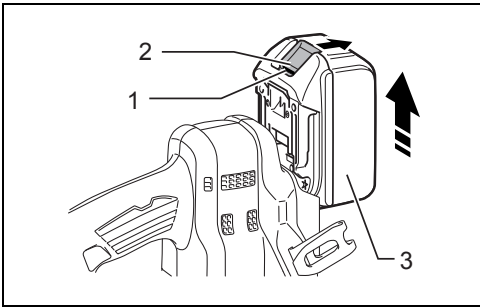
GB	Cordless Brad Nailer	Instruction manual
F	Cloueur Brad Sans Fil	Manuel d'instructions
D	Akku-Nagler	Betriebsanleitung
I	Chiodatrice pneumatica senza fili	Istruzioni per l'uso
NL	Accunagelpistool	Gebruiksaanwijzing
E	Clavadora Inalámbrica	Manual de instrucciones
P	Pinador a Bateria	Manual de instruções
DK	Ledningsfri dykkerpistol	Brugsanvisning
GR	Ασύρματο καρφωτικό πιστόλι	Οδηγίες χρήσης
TR	Akülü Çivi Çakma Makinesi	Kullanım kılavuzu

DBN500



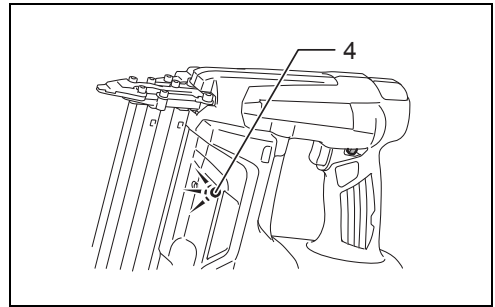
014580





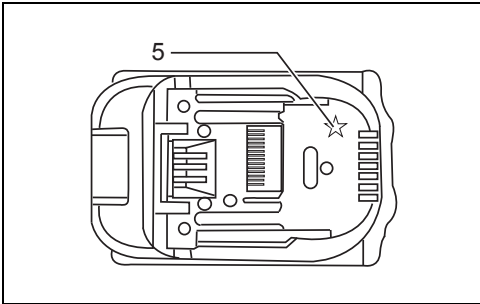
1

014581



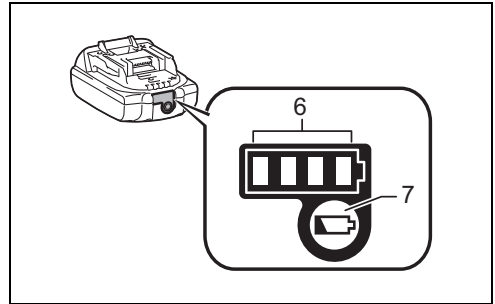
2

014584



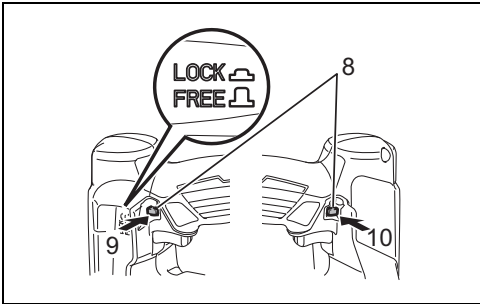
3

012128



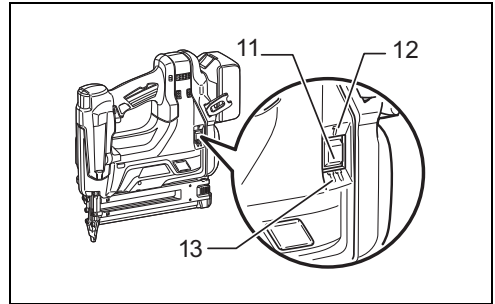
4

015659



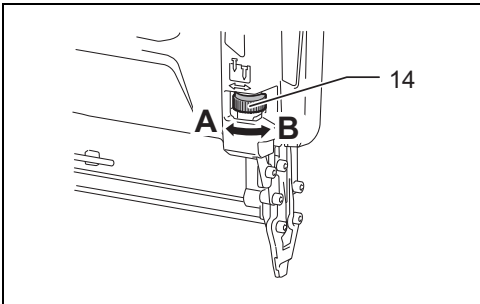
5

014582



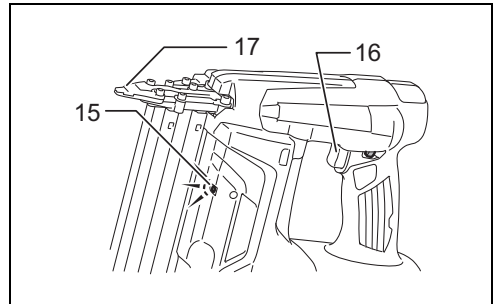
6

014618



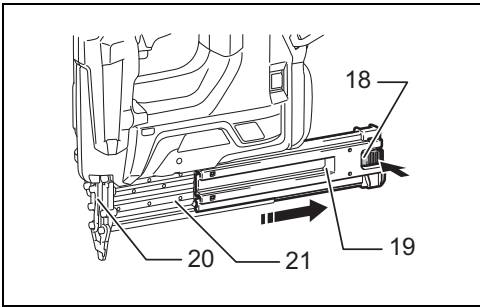
7

014601



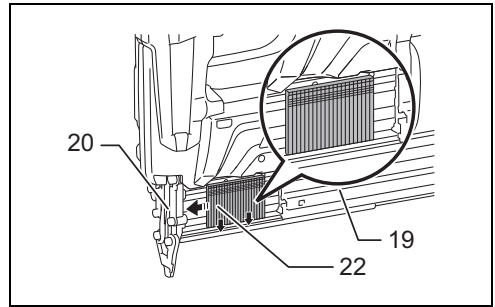
8

014600



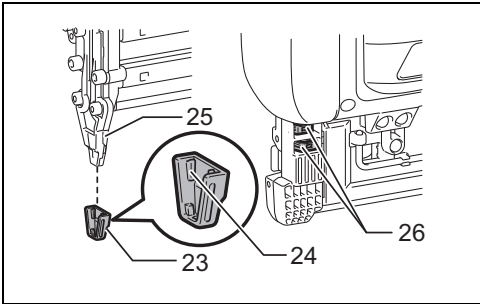
9

014585



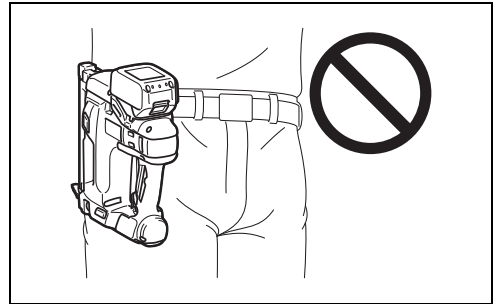
10

014592



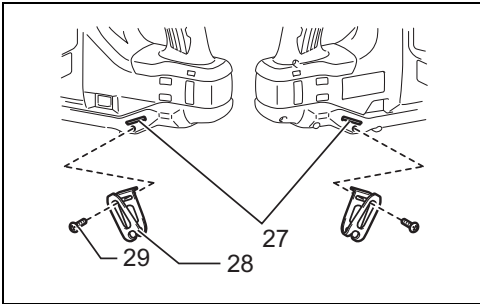
11

014586



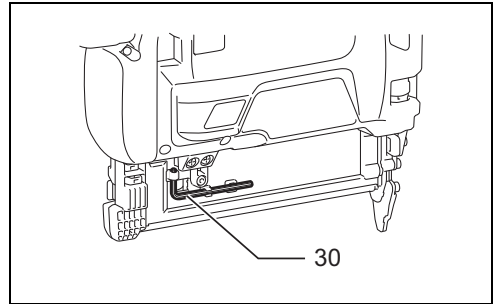
12

014587



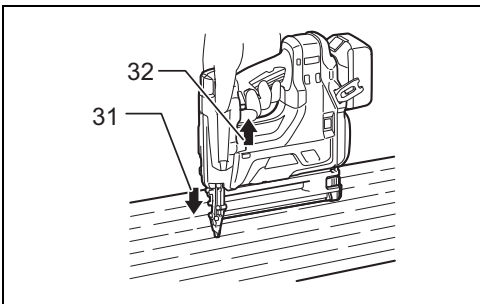
13

014588



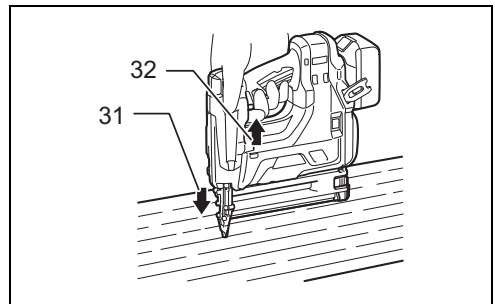
14

014589



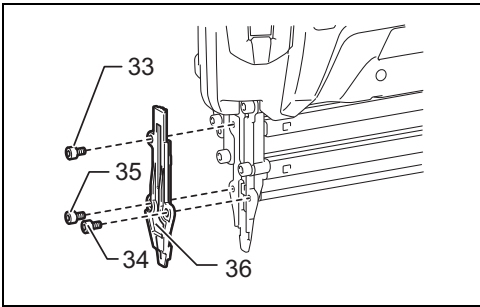
15

014619



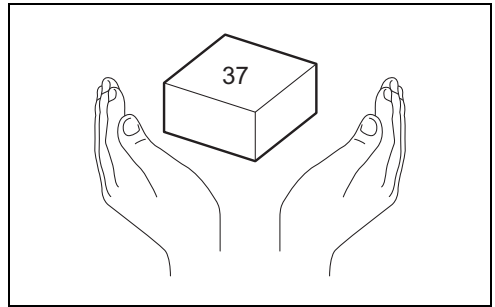
16

014620



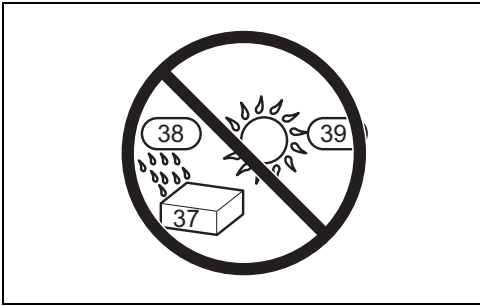
17

014591



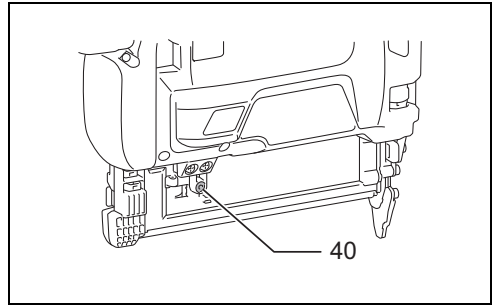
18

004310



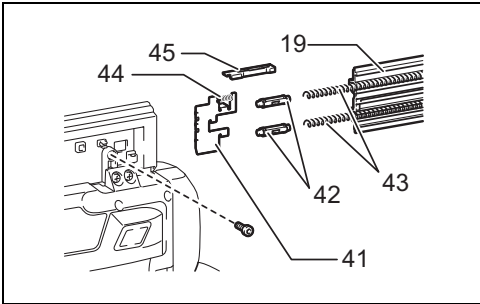
19

004311



20

014720



21

014721

ENGLISH (Original instructions)

Explanation of general view

- | | | |
|----------------------------|--|------------------------|
| 1. Red indicator | 17. Driver guide (contact element) | 32. Pull the trigger. |
| 2. Button | 18. Lock lever | 33. Hex bolt A |
| 3. Battery cartridge | 19. Slide door | 34. Hex bolt B |
| 4. Battery indicator | 20. Driver guide | 35. Hex bolt C |
| 5. Star marking | 21. Magazine | 36. Driver guide cover |
| 6. Indicator lamps | 22. Nails | 37. Nail |
| 7. Check button | 23. Nose adapter | 38. Humid |
| 8. Trigger lock | 24. Protrusion | 39. Hot |
| 9. Press to Lock position | 25. Center plate | 40. Hex bolt |
| 10. Press to Free position | 26. Holder | 41. Pusher |
| 11. Mode selecting button | 27. Groove | 42. Sleeve |
| 12. Sequential mode | 28. Hook | 43. Spring (large) |
| 13. Continuous mode | 29. Screw | 44. Spring (small) |
| 14. Adjuster | 30. Hex wrench | 45. Stopper |
| 15. Lamp | 31. Place the contact element against workpiece. | |
| 16. Trigger | | |

SPECIFICATIONS

Model	DBN500	
Brad nail size	18Ga x 15, 20, 25, 30, 32, 35, 38, 40, 45, 50 mm	
Brad nail magazine capacity	100 pcs	
Dimensions (L x W x H)	294 mm x 97 mm x 318 mm	
Rated voltage	D.C. 18 V	
Net weight	3.3 kg	3.5 kg
Standard battery cartridges	BL1815/BL1815N/BL1820/ BL1820B	BL1830/BL1840/BL1840B/ BL1850/BL1850B

- Due to our continuing program of research and development, the specifications herein are subject to change without notice.
- Specifications and battery cartridge may differ from country to country.
- Weight, with battery cartridge, according to EPTA-Procedure 01/2003

Symbols

END311-1

The following show the symbols used for the equipment. Be sure that you understand their meaning before use.



..... Read instruction manual.



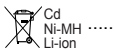
..... Wear safety glasses.



..... Do not use on scaffoldings, ladders.



..... Keep fingers away from trigger when not driving fasteners to avoid accidental firing.



..... Only for EU countries
Do not dispose of electric equipment or battery pack together with household waste material!
In observance of the European Directives, on Waste Electric and Electronic Equipment and Batteries and Accumulators and Waste Batteries and Accumulators and their implementation in accordance with

national laws, electric equipment and batteries and battery pack(s) that have reached the end of their life must be collected separately and returned to an environmentally compatible recycling facility.

Intended use

ENE073-1

The tool is intended for fastening on interior work and furniture work.

General Power Tool Safety Warnings

GEA010-1

⚠ WARNING Read all safety warnings and all instructions. Failure to follow the warnings and instructions may result in electric shock, fire and/or serious injury.

Save all warnings and instructions for future reference.

CORDLESS NAILER SAFETY WARNINGS

GEB117-2

- 1. Always assume that the tool contains fasteners.**
Careless handling of the nailer can result in unexpected firing of fasteners and personal injury.
- 2. Do not point the tool towards yourself or anyone nearby.** Unexpected triggering will discharge the fastener causing an injury.
- 3. Do not actuate the tool unless the tool is placed firmly against the workpiece.** If the tool is not in contact with the workpiece, the fastener may be deflected away from your target.
- 4. Disconnect the tool from the power source when the fastener jams in the tool.** While removing a jammed fastener, the nailer may be accidentally activated if it is plugged in.
- 5. Use caution while removing a jammed fastener.** The mechanism may be under compression and the fastener may be forcefully discharged while attempting to free a jammed condition.
- 6. Do not use this nailer for fastening electrical cables.** It is not designed for electric cable installation and may damage the insulation of electric cables thereby causing electric shock or fire hazards.
- 7. Always wear safety goggles or safety glasses with side shield, and a full face shield when needed.**
- 8. Keep hands and feet away from the ejection port area.**
- 9. Follow instruction for lubricating and changing accessories.**
- 10. Always remove the battery cartridge before loading the fasteners, adjustment, inspection, maintenance or after operation is over.**
- 11. Make sure no one is nearby before operation.** Never attempt to drive fasteners from both the inside and outside of wall at the same time. Fasteners may rip through and/or fly off, presenting a grave danger.
- 12. Watch your footing and maintain your balance with the tool.** Make sure there is no one below when working in high locations.
- 13. Never use fastener driving tools marked with the symbol "Do not use on scaffoldings, ladders" for specific application for example:**
 - when changing one driving location to another involves the use of scaffoldings, stairs, ladders, or ladder alike constructions, e.g. roof laths;
 - closing boxes or crates;
 - fitting transportation safety systems e.g. on vehicles and wagons.
- 14. Check walls, ceilings, floors, roofing and the like carefully to avoid possible electrical shock, gas leakage, explosions, etc. caused by stapling into live wires, conduits or gas pipes.**
- 15. Use only fasteners specified in this manual.** The use of any other fasteners may cause malfunction of the tool.
- 16. Do not tamper with the tool or attempt to use it for other than driving fasteners.**
- 17. Do not operate the tool without fasteners.** It shortens the service life of the tool.

- 18. Stop driving operations immediately if you notice something wrong or out of the ordinary with the tool.**
- 19. Never drive fastener into any materials which may allow the fastener to puncture and fly through as a projectile.**
- 20. Never actuate the switch trigger and safety lever at the same time until you are prepared to fastener workpieces.** Allow the workpiece to depress the safety lever. Never defeat its purpose by securing the safety lever back or by depressing it by hand.
- 21. Never tamper with the safety lever.** Check the safety lever frequently for proper operations.
- 22. Always remove fasteners from the tool when not in use.**

SAVE THESE INSTRUCTIONS.

WARNING:

DO NOT let comfort or familiarity with product (gained from repeated use) replace strict adherence to safety rules for the subject product. **MISUSE** or failure to follow the safety rules stated in this instruction manual may cause serious personal injury.

IMPORTANT SAFETY INSTRUCTIONS

ENC007-9

FOR BATTERY CARTRIDGE

- 1. Before using battery cartridge, read all instructions and cautionary markings on (1) battery charger, (2) battery, and (3) product using battery.**
- 2. Do not disassemble battery cartridge.**
- 3. If operating time has become excessively shorter, stop operating immediately.** It may result in a risk of overheating, possible burns and even an explosion.
- 4. If electrolyte gets into your eyes, rinse them out with clear water and seek medical attention right away.** It may result in loss of your eyesight.
- 5. Do not short the battery cartridge:**
 - (1) Do not touch the terminals with any conductive material.**
 - (2) Avoid storing battery cartridge in a container with other metal objects such as nails, coins, etc.**
 - (3) Do not expose battery cartridge to water or rain.**

A battery short can cause a large current flow, overheating, possible burns and even a breakdown.
- 6. Do not store the tool and battery cartridge in locations where the temperature may reach or exceed 50°C (122°F).**
- 7. Do not incinerate the battery cartridge even if it is severely damaged or is completely worn out.** The battery cartridge can explode in a fire.
- 8. Be careful not to drop or strike battery.**
- 9. Do not use a damaged battery.**
- 10. Follow your local regulations relating to disposal of battery.**

SAVE THESE INSTRUCTIONS.

Tips for maintaining maximum battery life

1. **Charge the battery cartridge before completely discharged.**
Always stop tool operation and charge the battery cartridge when you notice less tool power.
2. **Never recharge a fully charged battery cartridge. Overcharging shortens the battery service life.**
3. **Charge the battery cartridge with room temperature at 10°C - 40°C (50°F - 104°F). Let a hot battery cartridge cool down before charging it.**
4. **Charge the battery cartridge if you do not use it for a long period (more than six months).**

FUNCTIONAL DESCRIPTION

⚠ CAUTION:

- Always be sure that the tool is switched off and the battery cartridge is removed before adjusting or checking function on the tool.

Installing or removing battery cartridge (Fig. 1)

⚠ CAUTION:

- Always switch off the tool before installing or removing of the battery cartridge.
- **Hold the tool and the battery cartridge firmly when installing or removing battery cartridge.** Failure to hold the tool and the battery cartridge firmly may cause them to slip off your hands and result in damage to the tool and battery cartridge and a personal injury.

To remove the battery cartridge, slide it from the tool while sliding the button on the front of the cartridge.

To install the battery cartridge, align the tongue on the battery cartridge with the groove in the housing and slip it into place. Insert it all the way until it locks in place with a little click. If you can see the red indicator on the upper side of the button, it is not locked completely.

⚠ CAUTION:

- Always install the battery cartridge fully until the red indicator cannot be seen. If not, it may accidentally fall out of the tool, causing injury to you or someone around you.
- Do not install the battery cartridge forcibly. If the cartridge does not slide in easily, it is not being inserted correctly.

Tool/battery protection system

The tool is equipped with a tool/battery protection system. This system automatically cuts off power to the motor to extend tool and battery life.

The tool will automatically stop during operation if the tool or battery are placed under one of the following conditions. In some conditions, the indicators light up. (Fig. 2)

Overheat protection for tool

When the tool is overheated, the tool stops automatically and the indicator blinks about 60 seconds. In this situation, let the tool cool before turning the tool on again.

Overheat protection for battery

When the battery is overheated, the tool stops automatically and the battery indicator lights up about 60 seconds. The tool does not start even if pulling the switch trigger. In this situation, let the battery cool before turning the tool on again.

NOTE:

The battery overheat protection works only with a battery cartridge with a star marking. (Fig. 3)












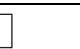





Overdischarge protection

When the remaining battery capacity gets low, the indicator blinks. By further use, the tool stops and the indicator lights up about 60 seconds. In this situation, charge the battery cartridge.

Indicating the remaining battery capacity

(Only for battery cartridges with "B" at the end of the model number.) (Fig. 4)

Press the check button on the battery cartridge to indicate the remaining battery capacity. The indicator lamps light up for few seconds.

Indicator lamps			Remaining capacity
 Lighted	 Off	 Blinking	
			75% to 100%
			50% to 75%
			25% to 50%
			0% to 25%
			Charge the battery.
 	 		The battery may have malfunctioned.

015658

NOTE:

- Depending on the conditions of use and the ambient temperature, the indication may differ slightly from the actual capacity.

Using the trigger lock

⚠ CAUTION:

- When not in use or after operating the tool, always lock the trigger with the trigger lock. (Fig. 5)

The tool has trigger lock to avoid accidents by an unintentional start. The trigger lock makes the trigger unmovable and let the tool cause no firing.

To lock the trigger, set the lock button in the "LOCK" position.

Before nailing, set the lock button in the "FREE" position. When not in use, always set it in the "LOCK" position and remove the battery cartridge from the tool.

Nailing mode selection (Fig. 6)

The tool has two different nailing modes. Select the desired nailing by the mode selecting button. For more detail, see the section "OPERATION".

Intermittent nailing (sequential mode)

This mode suits for driving a nail carefully and accurately.

Continuous/intermittent nailing (continuous mode)

When the tool is set to this mode, you can choose either continuous or intermittent nailing by sequences of the trigger operation.

Adjusting the nailing depth

⚠ WARNING:

- Always make sure that your fingers are not placed on the trigger, and the battery cartridge and nails are removed. (Fig. 7)

To get shallower depth, turn the adjuster to A direction as shown in the figure. To get deeper depth, turn the adjuster to B direction.

Do not turn the adjuster too much, or the adjuster may get stuck.

Lighting up the lamp

⚠ CAUTION:

- Do not look in the light or see the source of light directly. (Fig. 8)

To turn on the lamp, pull the trigger or place the contact element against the workpiece. Release the trigger or contact element to turn it off.

The lamp goes out 10 seconds after releasing the trigger or contact element from the workpiece.

NOTE:

- Use a dry cloth to wipe the dirt off the lens of lamp. Be careful not to scratch the lens of lamp, or it may lower the illumination.
- Even in the lamp lights up when the battery power residual gets small, the nailer may not fire nails. In this case, charge the battery cartridge.

ASSEMBLY

⚠ CAUTION:

- Always make sure that your fingers are not placed on the trigger, and the battery cartridge and nails are removed before carrying out any work on the nailer.

Loading or unloading the nails

⚠ CAUTION:

- Always make sure that your fingers are not placed on the trigger and the battery cartridge is removed before loading nails.
- Do not abruptly slide the slide door of the nailer loaded with nails. Accidentally dropping nails especially when working in high places may cause personal injuries.
- Load nails in the correct direction. Loading in wrong direction may cause premature wear and tear of the driver and damage of the other parts.
- Do not use deformed connected nails. Use nails specified in this manual. Using nails other than those specified may cause nail jamming and breakage of the nailer.

Press the lock lever and open the slide door of the magazine. (Fig. 9)

Set the nail strip so that the nail tips touch the bottom of the magazine slit and slide the nail strip toward the firing opening.

Return the slide door to the original position until the lock lever locks it.

To remove the nails, press the lock lever and slide the slide door. Take out nails from the magazine slit. (Fig. 10)

Nose adapter

⚠ CAUTION:

- Always make sure that your fingers are not placed on the trigger, and the battery cartridge and nails are removed before installing the nose adapter. (Fig. 11)

When firing nails on the material to be fastened with easily-marred surfaces, use the nose adapter. To install the nose adapter, place it over the center plate so that the protrusion inside the nose adapter fits to the slit in the driver guide cover.

When not in use, store the nose adapter in the holder at the back end of the slide door to keep it from being lost. Total two nose adapters can be stored.

Hook

⚠ CAUTION:

- Always make sure that your fingers are not placed on the trigger, and the battery cartridge and nails are removed before using the hook.
- Do not hang the hook from the waist belt. Dropping the nailer, which is caused by the hook accidentally coming out of place, may cause misfiring and personal injuries. (Fig. 12)

The hook is convenient for temporarily hanging the tool. This can be installed on either side of the tool.

To install the hook, insert it into a groove in the tool housing on either side and then secure it with a screw. To remove, loosen the screw and then take it out. (Fig. 13)

Hex wrench storage (Fig. 14)

When not in use, store the hex wrench as shown in the figure to keep it from being lost.

OPERATION

Inspecting trigger function

⚠ CAUTION:

- Make sure that the trigger function is in working order before each operation. If you find issues described below, ask Makita Authorized Service Centers for repairs.
- Before installing the battery cartridge into the tool, always check to see that the switch trigger actuates properly and returns to the "OFF" position when released.

The tool must not operate only by pulling the trigger or only by placing the contact element against the work piece.

Driving nails

CAUTION:

- Always be sure to first place the contact element against the workpiece before pulling the trigger.

Select the nailing mode by pressing the mode selecting button as mentioned in the section "Nailing mode selection".

Intermittent nailing (sequential mode) (Fig. 15)

To drive a nail, set the lock button to the "FREE" position. Place the contact element against the workpiece and pull the trigger. Release the trigger after each operation.

Continuous/intermittent nailing (continuous mode) (Fig. 16)

When the tool is set to continuous mode, you can operate either continuous or intermittent nailing.

To drive a nail, set the lock button to the "FREE" position.

- For continuous nailing, pull the trigger first and then place the contact element against the workpiece. For the next actuation, you do not need to release the trigger.
- For intermittent nailing, place the contact element against the workpiece and pull the trigger. For the next actuation, you need to reset the trigger first.

NOTE:

- This tool stops automatically under the following conditions:
 - If you release the trigger or contact element from workpiece before the tool finishes the operation completely.
In this situation, pull the trigger again until the tool turns into standby.
 - When keep either pulling the trigger or placing the contact element about 5 seconds without another action.
In this case, release the trigger or the contact element from workpiece to restart the operation.

Anti dry fire mechanism

This tool is equipped with an anti dry fire mechanism. It automatically stops driving nails when the remaining nails finish. In this case, load more nails to resume operation.

Removing jammed nails

WARNING:

- Always make sure that the trigger is released, and the battery cartridge and nails are removed before removing jammed nails.

Remove hex bolts they are securing the driver guide cover with the hex wrench.

Take the jammed nails from the nail guide groove that has appeared.

Secure the driver guide cover with hex bolts in the correct order. Tighten the hex bolt A, B and then C. (Fig. 17)

NOTE:

- After securing the driver guide cover, always make sure that the driver guide cover actuates properly. If it does not actuate properly, remove hex bolts and install the driver guide cover again.

Nails (Fig. 18)

Handle nails and their box carefully. If the nails have been handled roughly, they may be out of shape or their connector breaks, causing poor nail feed.

Avoid storing nails in a very humid or hot place or place exposed to direct sunlight. (Fig. 19)

MAINTENANCE

CAUTION:

- Always be sure that the tool is switched off and the battery cartridge and nails are removed before attempting to perform inspection or maintenance.
- Never use gasoline, benzine, thinner, alcohol or the like. Discoloration, deformation or cracks may result.

Cleaning of magazine

When the pusher in the magazine does not move smoothly because of dust, sand, chips or other foreign matters, clean the magazine.

To remove the slide door, loosen the hex bolt on the magazine. (Fig. 20)

Pull the pusher from the slide door and then remove the stopper, sleeves and springs.

After cleaning, install the whole parts into the slide door. To install them, take the following procedure. (Fig. 21)

1. Install the large spring into the slide door.
2. Install the parts onto the pusher in the correct order, sleeve, small spring and then stopper.
3. Install the pusher with the other parts onto the slide door.

NOTE:

- When you pull out the pusher from the slide door, the parts in the slide door may bounce out.
- When you install the pusher with the other parts to the slide door, make slight spaces between the pusher and sleeves.

To maintain product SAFETY and RELIABILITY, repairs, any other maintenance or adjustment should be performed by Makita Authorized Service Centers, always using Makita replacement parts.

OPTIONAL ACCESSORIES

CAUTION:

- These accessories or attachments are recommended for use with your Makita tool specified in this manual. The use of any other accessories or attachments might present a risk of injury to persons. Only use accessory or attachment for its stated purpose.

If you need any assistance for more details regarding these accessories, ask your local Makita Service Center.

- Nails
- Makita genuine battery and charger
- Safety goggles

NOTE:

- Some items in the list may be included in the tool package as standard accessories. They may differ from country to country.

Noise

ENG905-1

The typical A-weighted noise level determined according to EN60745:

Sound pressure level (L_{pA}): 79 dB (A)

Uncertainty (K): 3 dB (A)

The noise level under working may exceed 80 dB (A).

Wear ear protection.

Vibration

ENG904-2

The vibration total value determined according to EN60745:

Vibration emission (a_h): 2.5 m/s² or less

Uncertainty (K): 1.5 m/s²

ENG901-1

- The declared vibration emission value has been measured in accordance with the standard test method and may be used for comparing one tool with another.
- The declared vibration emission value may also be used in a preliminary assessment of exposure.

⚠ WARNING:

- The vibration emission during actual use of the power tool can differ from the declared emission value depending on the ways in which the tool is used.
- Be sure to identify safety measures to protect the operator that are based on an estimation of exposure in the actual conditions of use (taking account of all parts of the operating cycle such as the times when the tool is switched off and when it is running idle in addition to the trigger time).

For European countries only

ENH003-15

EC Declaration of Conformity

Makita declares that the following Machine(s):

Designation of Machine:

Cordless Brad Nailer

Model No./Type: DBN500

Conforms to the following European Directives:

2006/42/EC

They are manufactured in accordance with the following standard or standardized documents:

EN60745, EN792

The technical file in accordance with 2006/42/EC is available from:

Makita, Jan-Baptist Vinkstraat 2, 3070, Belgium

28. 4. 2015



Yasushi Fukaya

Director

Makita, Jan-Baptist Vinkstraat 2, 3070, Belgium

FRANÇAIS (Instructions d'origine)

Descriptif

- | | | |
|---------------------------------------|---|--------------------------------|
| 1. Voyant rouge | 17. Guide-embout (dispositif de contact) | 32. Appuyer sur la gâchette. |
| 2. Bouton | 18. Levier de verrouillage | 33. Boulon à tête hexagonale A |
| 3. Batterie | 19. Glissière | 34. Boulon à tête hexagonale B |
| 4. Voyant de batterie | 20. Guide-embout | 35. Boulon à tête hexagonale C |
| 5. Étoile | 21. Magasin | 36. Protection du guide-embout |
| 6. Voyants | 22. Clous | 37. Clou |
| 7. Bouton de vérification | 23. Adaptateur de bec | 38. Humide |
| 8. Verrou de gâchette | 24. Saillie | 39. Très chaud |
| 9. Appuyez pour verrouiller (Lock) | 25. Plaque de centrage | 40. Boulon à tête hexagonale |
| 10. Appuyez pour déverrouiller (Free) | 26. Support | 41. Poussoir |
| 11. Sélecteur de mode | 27. Rainure | 42. Manchon |
| 12. Mode séquentiel | 28. Crochet | 43. Ressort (long) |
| 13. Mode continu | 29. Vis | 44. Ressort (court) |
| 14. Bague de réglage | 30. Clé hexagonale | 45. Butée |
| 15. Lampe | 31. Placez le dispositif de contact contre la pièce à clouer. | |

SPÉCIFICATIONS

Modèle	DBN500	
Taille des clous Brad	18Ga x 15, 20, 25, 30, 32, 35, 38, 40, 45, 50 mm	
Contenance du magasin de clous Brad	100 clous	
Dimensions (L x P x H)	294 mm x 97 mm x 318 mm	
Tension nominale	18 V C.C.	
Poids net	3,3 kg	3,5 kg
Batteries standard	BL1815/BL1815N/BL1820/ BL1820B	BL1830/BL1840/BL1840B/ BL1850/BL1850B

- Étant donné l'évolution constante de notre programme de recherche et de développement, les spécifications contenues dans ce manuel sont sujettes à des modifications sans préavis.
- Les spécifications et la batterie peuvent varier d'un pays à l'autre.
- Poids, batterie incluse, selon la procédure EPTA 01/2003

Symboles

END311-1

Les symboles utilisés pour l'appareil sont indiqués ci-dessous.

Assurez-vous d'avoir bien compris leur signification avant d'utiliser l'appareil.



..... Lisez attentivement le manuel d'instructions.



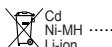
..... Portez des lunettes de sécurité.



..... N'utilisez pas l'outil sur un échafaudage ou une échelle.



..... Pour éviter tout déclenchement accidentel, éloignez les doigts de la gâchette lorsque vous n'insérez pas de clous.



..... Pour les pays européens uniquement
Ne pas jeter les appareils électriques et les bloc-batteries dans les ordures ménagères !
Conformément aux directives européennes relatives aux déchets

d'équipements électriques ou électroniques (DEEE) ainsi qu'aux batteries, aux accumulateurs et aux batteries et accumulateurs usagés et à leur transposition dans la législation nationale, les appareils électriques, les batteries et les bloc-batteries doivent être collectés à part et être soumis à un recyclage respectueux de l'environnement.

Utilisations

ENE073-1

Cet outil de clouage est destiné aux travaux d'intérieur et d'ameublement.

Consignes de sécurité générales des outils électriques

GEA010-1

⚠ AVERTISSEMENT Veuillez lire toutes les consignes de sécurité et les instructions. Il y a un risque de choc électrique, d'incendie et/ou de blessure grave si les consignes et les instructions ne sont pas toutes respectées.

Conservez toutes les consignes et instructions pour référence ultérieure.

AVERTISSEMENTS DE SÉCURITÉ CONCERNANT LE CLOUEUR SANS FIL

GEB117-2

1. **Gardez toujours à l'esprit que l'outil contient des clous.** En cas de mauvaise utilisation du cloueur, les clous risquent d'être éjectés de manière inopinée et de causer des blessures graves.
2. **Ne dirigez jamais l'outil vers vous ou vers une autre personne à proximité.** Un déclenchement intempêtif risque d'éjecter le clou et de causer des blessures.
3. **N'activez pas l'outil avant qu'il ne soit fermement placé sur la pièce à clouer.** Si l'outil n'est pas en contact avec la pièce à clouer, le clou risque de dévier de sa trajectoire.
4. **Si un clou se bloque dans l'outil, débranchez ce dernier de la source d'alimentation.** Si le cloueur est branché, il risque de se déclencher accidentellement lorsque vous enlevez le clou bloqué.
5. **Soyez prudent lors du retrait d'un clou bloqué.** Le mécanisme risque d'être sous compression et le clou peut être libéré violemment lorsque vous désenrayez l'outil.
6. **N'utilisez pas ce cloueur pour fixer des câbles électriques.** Il n'est pas conçu pour l'installation de câbles électriques et risque d'endommager leur isolation et d'augmenter par conséquent les risques de décharge électrique ou d'incendie.
7. **Portez toujours un masque de protection ou des lunettes de sécurité avec des écrans latéraux, ainsi qu'une visière de protection intégrale si nécessaire.**
8. **Gardez les mains et les pieds à l'écart de la zone de la sortie d'éjection.**
9. **Suivez les instructions de lubrification et de remplacement des accessoires.**
10. **Retirez toujours la batterie avant d'introduire les clous, de procéder au réglage, à l'inspection ou à l'entretien de l'outil ou bien après l'avoir utilisé.**
11. **Avant d'utiliser l'outil, assurez-vous que personne ne se trouve à proximité. Ne tentez jamais de clouer en même temps les côtés opposés d'un mur. Les clous risquent alors de transpercer la pièce ou d'être projetés, présentant un grave danger.**
12. **Regardez où vous marchez et conservez un bon équilibre pendant l'utilisation de l'outil. Si vous travaillez en hauteur, assurez-vous que personne ne se trouve en dessous de vous.**
13. **N'utilisez jamais les cloueurs portant le symbole « N'utilisez pas l'outil sur un échafaudage ou une échelle » pour des travaux spécifiques, par exemple :**
 - lorsque le changement de la position de clouage implique l'utilisation d'un échafaudage, d'un escalier ou d'une échelle, par ex., pour clouer des lattes de toit ;
 - la fermeture de boîtes ou de caisses ;

- l'installation de dispositifs de sécurité pour le transport, par exemple sur des véhicules ou des wagons.

14. **Pour éviter tout risque de décharge électrique, de fuite de gaz, d'explosion, etc., provoqué par le contact avec des fils dénudés, des conduites ou des tuyaux de gaz, vérifiez les murs, le plafond, le plancher, le toit, etc.**
15. **N'utilisez que les clous spécifiés dans ce manuel. L'outil risque de mal fonctionner si vous utilisez tout autre type de clou.**
16. **N'altérez pas l'outil ou ne tentez pas de l'utiliser pour d'autres applications que le clouage.**
17. **N'utilisez pas l'outil sans y insérer des clous. Vous réduirez sa durée de vie.**
18. **Cessez immédiatement de vous servir de l'outil si vous constatez une anomalie ou un fonctionnement inhabituel.**
19. **Ne clouez jamais dans des matériaux susceptibles d'être transpercés par les clous ou de les projeter.**
20. **N'activez jamais la gâchette et le levier de sécurité en même temps avant d'être prêt à clouer les pièces souhaitées. Laissez la pièce à clouer relâcher le levier de sécurité. Ne modifiez jamais son rôle en fixant le levier de sécurité ou en le relâchant à la main.**
21. **N'altérez jamais le levier de sécurité. Vérifiez régulièrement son bon fonctionnement.**
22. **Retirez toujours les clous de l'outil lorsque vous ne l'utilisez pas.**

CONSERVEZ CES INSTRUCTIONS.

⚠ AVERTISSEMENT :

NE vous laissez PAS tromper (au fil d'une utilisation répétée) par un sentiment d'aisance et de familiarité avec le produit, en négligeant le respect rigoureux des consignes de sécurité qui accompagnent l'outil. Une UTILISATION INCORRECTE de l'outil ou le non-respect des consignes de sécurité indiquées dans ce manuel d'instructions peuvent causer des blessures graves.

CONSIGNES DE SÉCURITÉ IMPORTANTES

ENC007-9

POUR LA BATTERIE

1. **Avant d'utiliser la batterie, veuillez lire toutes les instructions et tous les avertissements inscrits sur (1) le chargeur, (2) la batterie et (3) l'appareil alimenté par la batterie.**
2. **Ne démontez pas la batterie.**
3. **Cessez immédiatement d'utiliser l'outil si le temps de fonctionnement devient excessivement court. Il y a risque de surchauffe, de brûlures, voire d'explosion.**
4. **Si l'électrolyte pénètre dans vos yeux, rincez-les à l'eau claire et consultez immédiatement un médecin. Il y a risque de perte de la vue.**
5. **Évitez de court-circuiter la batterie :**
 - (1) **Ne touchez les bornes avec aucun matériau conducteur.**

- (2) Évitez de ranger la batterie dans un contenant où se trouvent d'autres objets métalliques tels que des clous, pièces de monnaie, etc.
 - (3) N'exposez pas la batterie à l'eau ou à la pluie. Un court-circuit de la batterie risque de provoquer un fort courant, une surchauffe, parfois des brûlures et même une panne.
6. Ne rangez pas l'outil ou la batterie dans des endroits où la température risque d'atteindre ou de dépasser 50 °C (122 °F).
 7. Ne jetez pas la batterie au feu même si elle est sérieusement endommagée ou complètement épuisée. La batterie peut exploser au contact du feu.
 8. Veillez à ne pas laisser tomber ou heurter la batterie.
 9. N'utilisez pas de batterie endommagée.
 10. Respectez les réglementations locales relatives à la mise au rebut des batteries.

CONSERVEZ CES INSTRUCTIONS.

Conseils pour assurer la durée de vie optimale de la batterie

1. Rechargez la batterie avant qu'elle ne soit complètement épuisée.
Arrêtez toujours l'outil et rechargez la batterie quand vous constatez que la puissance de l'outil diminue.
2. Ne rechargez jamais une batterie complètement chargée.
La surcharge réduit la durée de service de la batterie.
3. Chargez la batterie alors que la température de la pièce se trouve entre 10 °C et 40 °C (50 °F et 104 °F). Si une batterie est chaude, laissez-la refroidir avant de la charger.
4. Chargez la batterie si vous ne l'avez pas utilisée pendant une longue période (plus de six mois).

DESCRIPTION DU FONCTIONNEMENT

⚠ ATTENTION :

- Veillez toujours à ce que l'outil soit éteint et la batterie déposée avant d'effectuer des réglages ou de vérifier le fonctionnement de l'outil.

Installation ou retrait de la batterie (Fig. 1)

⚠ ATTENTION :

- Éteignez toujours l'outil avant d'installer ou de retirer la batterie.
- Tenez fermement l'outil et la batterie lors de l'installation ou du retrait de la batterie. Si vous ne tenez pas fermement l'outil et la batterie, ils risquent de glisser et de s'abîmer ou de vous blesser.

Pour retirer la batterie, poussez le bouton à l'avant de la batterie et faites-la glisser.

Pour installer la batterie, alignez sa languette sur la rainure qui se trouve à l'intérieur du capot, puis glissez la

batterie en place. Insérez-la complètement, jusqu'à ce qu'elle se verrouille en émettant un léger clic. Si vous pouvez voir le voyant rouge sur la face supérieure du bouton, la batterie n'est pas parfaitement verrouillée.

⚠ ATTENTION :

- Installez toujours la batterie à fond jusqu'à ce que le voyant rouge ne soit plus visible. Sinon, elle risque de tomber accidentellement de l'outil, en vous blessant ou en blessant une personne à proximité.
- Ne forcez pas pour installer la batterie. Si la batterie ne glisse pas aisément, c'est qu'elle n'est pas insérée correctement.

Système de protection de l'outil et de la batterie

L'outil est équipé d'un système de protection de l'outil et de la batterie. Ce système coupe automatiquement l'alimentation du moteur afin de prolonger la durée de vie de l'outil et de la batterie.

L'outil s'arrête automatiquement pendant le fonctionnement lorsque celui-ci ou la batterie se trouvent dans l'une des situations suivantes : Dans certains cas, les voyants s'allument. (Fig. 2)

Protection contre les surchauffes de l'outil

Lorsque l'outil surchauffe, il s'arrête automatiquement et le voyant clignote pendant 60 secondes environ. Dans ce cas, laissez l'outil refroidir avant de le réutiliser.

Protection contre les surchauffes de la batterie

Lorsque la batterie surchauffe, l'outil s'arrête automatiquement et le voyant de batterie s'allume pendant 60 secondes environ. L'outil ne fonctionne pas, même si vous appuyez sur la gâchette. Dans ce cas, laissez la batterie refroidir avant de réutiliser l'outil.

REMARQUE :

La protection contre les surchauffes de la batterie fonctionne uniquement avec une batterie comportant un symbole d'étoile. (Fig. 3)

Protection contre les décharges accélérées

Lorsque la batterie est presque vide, le voyant clignote. Si vous continuez d'utiliser l'outil, il s'arrête et le voyant s'allume pendant 60 secondes environ. Lorsque cela se produit, rechargez la batterie.

Indication de l'autonomie restante de la batterie

(uniquement pour les batteries dont le numéro de modèle se termine par la lettre « B ».) (Fig. 4)

Appuyez sur le bouton de vérification pour indiquer l'autonomie restante de la batterie. Les voyants s'allument alors pendant quelques secondes.

Voyants			Autonomie restante
Allumé	Éteint	Clignotant	
■	□	▧	75 % à 100 %
■ ■ ■ ■			
■ ■ ■ ■	□		50 % à 75 %
■ ■	□ □		25 % à 50 %
■	□ □ □ □		0 % à 25 %
▧	□ □ □ □		Recharger la batterie.
■ ■ □ □	□ □	■ ■	Il est possible que la batterie ait mal fonctionné.
□ □	□ □	■ ■	

015658

REMARQUE :

- Selon les conditions d'utilisation et la température ambiante, les indications peuvent différer légèrement de l'autonomie réelle restante.

Utilisation du verrou de gâchette

⚠ ATTENTION :

- Bloquez toujours la gâchette à l'aide du verrou de gâchette après avoir utilisé l'outil. (Fig. 5)

L'outil est équipé d'un verrou de gâchette destiné à éviter les accidents en cas de déclenchement involontaire. Le verrouillage de la gâchette permet de la bloquer, empêchant toute possibilité de clouage.

Pour verrouiller la gâchette, positionnez le bouton de verrouillage sur « LOCK ».

Avant de procéder au clouage, positionnez le bouton de verrouillage sur « FREE ». Lorsque vous n'utilisez pas l'outil, positionnez toujours le bouton de verrouillage sur « LOCK » et retirez la batterie.

Sélection du mode de clouage (Fig. 6)

L'outil dispose de deux modes de clouage. Sélectionnez le mode de clouage souhaité à l'aide du sélecteur de mode. Pour plus d'informations, consultez la section « FONCTIONNEMENT ».

Clouage intermittent (mode séquentiel)

Ce mode est adapté au clouage précis.

Clouage continu/intermittent (mode continu)

Lorsque l'outil est réglé sur ce mode, vous pouvez choisir entre le clouage continu ou intermittent par séquences d'actionnement de la gâchette.

Réglage de la profondeur de clouage

⚠ AVERTISSEMENT :

- Assurez-vous toujours que vos doigts ne sont pas posés sur la gâchette et que la batterie et les clous sont retirés. (Fig. 7)

Pour réduire la profondeur, tournez la bague de réglage dans le sens A, comme indiqué sur la figure. Pour

augmenter la profondeur, tournez la bague de réglage dans le sens B.

Ne tournez pas trop la bague de réglage, au risque de la bloquer.

Allumage de la lampe

⚠ ATTENTION :

- Ne regardez pas directement la lumière ou la source lumineuse. (Fig. 8)

Pour allumer la lampe, appuyez sur la gâchette ou placez le dispositif de contact contre la pièce à clouer. Pour l'éteindre, relâchez la gâchette ou éloignez le dispositif de contact de la pièce à clouer.

La lampe s'éteint 10 secondes après avoir relâché la gâchette ou éloigné le dispositif de contact de la pièce à clouer.

REMARQUE :

- Utilisez un chiffon sec pour essuyer les saletés qui recouvrent la lentille de la lampe. Veillez à ne pas rayer la lentille de la lampe, sous peine d'en diminuer l'efficacité.
- Même si la lampe s'allume alors que la charge de la batterie diminue, le cloueur peut ne pas fonctionner. Lorsque cela se produit, rechargez la batterie.

MONTAGE

⚠ ATTENTION :

- Assurez-vous toujours que vos doigts ne sont pas posés sur la gâchette et que la batterie et les clous sont retirés avant d'effectuer toute intervention sur le cloueur.

Chargement et retrait des clous

⚠ ATTENTION :

- Assurez-vous toujours que vos doigts ne sont pas posés sur la gâchette et que la batterie est retirée avant d'insérer les clous.
- Évitez de faire coulisser brusquement la glissière du cloueur lorsque des clous ont été chargés. La chute accidentelle de clous risque de causer des blessures, surtout quand vous travaillez en hauteur.
- Introduisez les clous dans le bon sens. Un chargement dans le mauvais sens entraîne une usure trop rapide du guide-embout et risque d'endommager les autres pièces.
- N'utilisez pas de clous déformés. Utilisez les clous spécifiés dans ce manuel. L'utilisation de types de clou différents de ceux indiqués peut provoquer un blocage ou endommager le cloueur.

Appuyez sur le levier de verrouillage, puis ouvrez la glissière du magasin. (Fig. 9)

Placez la bande de clous de manière à ce que l'extrémité des clous repose sur le guide inférieur du magasin, puis faites-la glisser vers le bec de clouage.

Remplacez la glissière dans sa position initiale jusqu'à ce que le levier de verrouillage s'enclenche.

Pour retirer les clous, appuyez sur le levier de verrouillage, puis ouvrez la glissière. Retirez les clous du guide du magasin. (Fig. 10)

Adaptateur de bec

ATTENTION :

- Assurez-vous toujours que vos doigts ne sont pas posés sur la gâchette et que la batterie et les clous sont retirés avant d'installer l'adaptateur de bec.

(Fig. 11)

Pour clouer dans un matériau dont la surface marque facilement, utilisez l'adaptateur de bec. Pour installer l'adaptateur de bec, placez-le sur la plaque de centrage afin que la partie saillante à l'intérieur de l'adaptateur s'engage dans la fente de la protection du guide-embout. Lorsque vous ne l'utilisez pas, rangez l'adaptateur de bec dans le support situé à l'arrière de la glissière afin d'éviter de le perdre. Deux adaptateurs de bec peuvent être rangés.

Crochet

ATTENTION :

- Assurez-vous toujours que vos doigts ne sont pas posés sur la gâchette et que la batterie et les clous sont retirés avant d'utiliser le crochet.
- Ne suspendez pas le crochet au ceinturon. La chute du cloueur, due au retrait accidentel du crochet, peut provoquer le fonctionnement intempestif du cloueur et causer des blessures. (Fig. 12)

Le crochet permet d'accrocher l'outil temporairement. Il s'installe d'un côté comme de l'autre de l'outil.

Pour installer le crochet, insérez-le dans une rainure du carter de l'outil d'un côté ou de l'autre puis serrez-le avec une vis. Pour le retirer, desserrez la vis et enlevez-le.

(Fig. 13)

Rangement de la clé hexagonale (Fig. 14)

Lorsque vous n'utilisez pas la clé hexagonale, rangez-la comme illustré sur la figure pour éviter de la perdre.

FONCTIONNEMENT

Vérification de la fonction de clouage

ATTENTION :

- Vérifiez le bon fonctionnement de la fonction de clouage avant d'utiliser l'outil. Contactez un centre d'entretien Makita agréé si vous constatez l'un des problèmes décrits ci-dessous.
- Avant d'installer la batterie dans l'outil, vérifiez toujours que la gâchette fonctionne bien et revient en position relâchée lorsqu'elle est libérée.

L'outil ne doit pas fonctionner en appuyant seulement sur la gâchette ou en plaçant seulement le dispositif de contact contre la pièce à clouer.

Clouage

ATTENTION :

- Veillez toujours à placer d'abord le dispositif de contact contre la pièce à clouer avant d'appuyer sur la gâchette.

Sélectionnez le mode de clouage en appuyant sur le sélecteur de mode, comme indiqué dans la section « Sélection du mode de clouage ».

Clouage intermittent (mode séquentiel) (Fig. 15)

Pour enfoncer un clou, positionnez le bouton de verrouillage sur « FREE ». Placez le dispositif de contact contre la pièce à clouer, puis appuyez sur la gâchette. Relâchez la gâchette après chaque opération.

Clouage continu/intermittent (mode continu) (Fig. 16)

Lorsque l'outil est réglé sur le mode continu, vous pouvez choisir entre le clouage continu ou intermittent.

Pour enfoncer un clou, positionnez le bouton de verrouillage sur « FREE ».

- Pour un clouage continu, commencez par appuyer sur la gâchette, puis placez le dispositif de contact contre la pièce à clouer. Pour continuer le clouage, vous n'avez pas besoin de relâcher la gâchette.
- Pour un clouage intermittent, placez le dispositif de contact contre la pièce à clouer, puis appuyez sur la gâchette. Pour continuer le clouage, vous devez d'abord relâcher la gâchette.

REMARQUE :

- L'outil s'arrête automatiquement dans les cas suivants :
 - Si vous relâchez la gâchette ou si vous éloignez le dispositif de contact de la pièce à clouer avant que l'outil termine l'opération de clouage. Dans ce cas, appuyez à nouveau sur la gâchette jusqu'à ce que l'outil se mette en veille.
 - Si vous appuyez sur la gâchette ou placez le dispositif de contact pendant environ 5 secondes sans effectuer une autre action. Dans ce cas, relâchez la gâchette ou éloignez le dispositif de contact de la pièce à clouer pour recommencer l'opération.

Mécanisme de prévention de fonctionnement à vide

Cet outil est équipé d'un mécanisme empêchant le fonctionnement à vide. Il s'arrête automatiquement de fonctionner lorsque le magasin est vide. Dans ce cas, ajoutez des clous pour reprendre l'opération.

Désenrayement de clous coincés

AVERTISSEMENT :

- En cas d'enrayement, avant de retirer les clous coincés, assurez-vous toujours que la gâchette est relâchée et que la batterie et les clous sont retirés.

Enlever les boulons à tête hexagonale qui maintiennent la protection du guide-embout à l'aide de la clé hexagonale. Retirez les clous bloqués dans la rainure du guide de clous.

Remontez et fixez la protection du guide-embout en serrant les boulons à tête hexagonale dans le bon ordre. Serrer d'abord le boulon A, puis le B et enfin le C.

(Fig. 17)

REMARQUE :

- Après avoir fixé la protection du guide-embout, vérifiez toujours qu'elle fonctionne correctement. Dans le cas contraire, retirez à nouveau les boulons et réinstallez-la.

Clous (Fig. 18)

Manipulez les clous et leur boîte avec précaution. Si les bandes de clous sont manipulées brusquement elles

risquent de se déformer ou de se détacher, causant une mauvaise alimentation en clous.

Évitez de ranger les clous dans un endroit très humide, très chaud ou exposé directement aux rayons du soleil. (Fig. 19)

ENTRETIEN

⚠ ATTENTION :

- Assurez-vous toujours que l'outil est hors tension et que la batterie et les clous sont retirés avant d'effectuer son inspection ou son entretien.
- N'utilisez jamais d'essence, de benzine, de diluant, d'alcool ou de produit similaire. Ces produits risquent de provoquer des décolorations, des déformations ou des fissures.

Nettoyage du magasin

Lorsque le poussoir dans le magasin se déplace difficilement à cause de la poussière, du sable, de copeaux ou d'autres corps étrangers, nettoyez le magasin.

Desserrez le boulon à tête hexagonale sur le magasin afin de pouvoir retirer la glissière. (Fig. 20)

Retirez le poussoir de la glissière, puis la butée, les manchons et les ressorts.

Après le nettoyage, remontez l'ensemble des pièces dans la glissière. Pour les installer, suivez la procédure suivante. (Fig. 21)

1. Insérez le ressort long dans la glissière.
2. Installez les pièces sur le poussoir dans le bon ordre : d'abord le manchon, puis le ressort court et enfin la butée.
3. Insérez le poussoir avec les autres pièces dans la glissière.

REMARQUE :

- Lorsque vous retirez le poussoir de la glissière, les pièces dans la glissière peuvent être éjectées sous l'effet des ressorts.
- Laissez un espace entre le poussoir et les manchons lorsque vous insérez le poussoir avec les autres pièces dans la glissière.

Pour garantir la SÉCURITÉ et la FIABILITÉ du produit, les réparations ainsi que tout autre travail d'entretien ou de réglage doivent être effectués dans un centre d'entretien Makita agréé, exclusivement avec des pièces de rechange Makita.

ACCESSOIRES FOURNIS EN OPTION

⚠ ATTENTION :

- Ces accessoires ou pièces complémentaires sont recommandés pour être utilisés avec l'outil Makita spécifié dans ce mode d'emploi. L'utilisation de tout autre accessoire ou pièce complémentaire peut comporter un risque de blessure. N'utilisez les accessoires ou pièces qu'aux fins auxquelles ils ont été conçus.

Pour obtenir plus de détails sur ces accessoires, contactez votre Centre de service local Makita.

- Clous
- Batterie et chargeur Makita d'origine

- Lunettes de sécurité

REMARQUE :

- Certains éléments de la liste peuvent être inclus en tant qu'accessoires standard dans le coffret de l'outil envoyé. Ils peuvent varier suivant les pays.

Bruit ENG905-1

Les niveaux de bruit pondéré A typiques ont été mesurés selon la norme EN60745 :

Niveau de pression acoustique (L_{pA}) : 79 dB (A)

Incertitude (K) : 3 dB (A)

Le niveau de bruit peut dépasser 80 dB (A) lors de l'utilisation.

Portez des protections auditives.

Vibration ENG904-2

La valeur totale des vibrations a été mesurée selon la norme EN60745 :

Émission de vibrations (a_{h1}) : 2,5 m/s² ou moins

Incertitude (K) : 1,5 m/s²

ENG901-1

- La valeur de l'émission des vibrations déclarée a été mesurée conformément à la méthode de test standard et peut être utilisée afin de comparer des outils entre eux.
- La valeur de l'émission des vibrations déclarée peut également être utilisée lors d'une évaluation préliminaire de l'exposition.

⚠ AVERTISSEMENT :

- Selon la manière dont l'outil est utilisé, il est possible que l'émission des vibrations pendant l'utilisation réelle de l'outil électrique diffère de la valeur de l'émission déclarée.
- Veillez à identifier les mesures de sécurité destinées à protéger l'opérateur et établies en fonction de l'estimation de l'exposition dans les conditions réelles d'utilisation (en prenant en compte toutes les étapes du cycle de fonctionnement, telles que les périodes de mise hors tension de l'outil, les périodes de fonctionnement au ralenti et les périodes de mise en route).

Pour les pays d'Europe uniquement ENH003-15

Déclaration de conformité CE

Makita déclare que la/les machine(s) suivante(s) :

Nom de la machine :

Cloueur Brad Sans Fil

N° de modèle/Type : DBN500

sont conformes aux directives européennes suivantes :

2006/42/CE

sont produites conformément aux normes ou documents de normalisation suivants :

EN60745, EN792

Le dossier technique conforme à la norme 2006/42/CE
est disponible auprès de :

Makita, Jan-Baptist Vinkstraat 2, 3070, Belgique

28. 4. 2015

A handwritten signature in black ink, appearing to read 'Yasushi Fukaya'.

Yasushi Fukaya
Directeur

Makita, Jan-Baptist Vinkstraat 2, 3070, Belgique

DEUTSCH (Originalanweisungen)

Erklärung der Gesamtdarstellung

- | | | |
|--|----------------------------------|---|
| 1. Rote Bereich | 15. Lampe | 31. Kontaktfuß auf das Werkstück aufsetzen. |
| 2. Knopf | 16. Auslöser | 32. Auslöser betätigen. |
| 3. Akkublock | 17. Führungsschiene (Kontaktfuß) | 33. Innensechskantschraube A |
| 4. Akkuanzeige | 18. Arretierhebel | 34. Innensechskantschraube B |
| 5. Sternmarkierung | 19. Schiebeklappe | 35. Innensechskantschraube C |
| 6. Anzeigenlampen | 20. Führungsschiene | 36. Führungsschienenabdeckung |
| 7. Akkuprüftaste | 21. Magazin | 37. Nagel |
| 8. Verriegelungshebel | 22. Nägel | 38. Feuchte |
| 9. Drücken, um Auslöser zu verriegeln (Pos. LOCK) | 23. Adapternase | 39. Hitze |
| 10. Drücken, um Auslöser zu entriegeln (Pos. FREE) | 24. Vorsprung | 40. Innensechskantschraube |
| 11. Betriebsart-Wahlschalter | 25. Führungsschiene | 41. Ausstoßer |
| 12. Einzelauslösung | 26. Halterung | 42. Hülse |
| 13. Serienauslösung | 27. Nut | 43. Feder (groß) |
| 14. Einsteller | 28. Haken | 44. Feder (klein) |
| | 29. Schraube | 45. Stopper |
| | 30. Sechskantschlüssel | |

SPEZIFIKATIONEN

Modell	DBN500	
Stauchkopfnagelgröße	18Ga x 15, 20, 25, 30, 32, 35, 38, 40, 45, 50 mm	
Kapazität Stauchkopfnagelmagazin	100 St.	
Abmessungen (L x B x H)	294 mm x 97 mm x 318 mm	
Nennspannung	18 V Gleichspannung	
Nettogewicht	3,3 kg	3,5 kg
Standard-Akkublöcke	BL1815/BL1815N/BL1820/ BL1820B	BL1830/BL1840/BL1840B/ BL1850/BL1850B

- Aufgrund unserer beständigen Forschungen und Weiterentwicklungen sind Änderungen an den hier angegebenen Technischen Daten ohne Vorankündigung vorbehalten.
- Die Technischen Daten und der Akkublock können in den einzelnen Ländern Abweichungen aufweisen.
- Gewicht, mit Akkublock, ermittelt gemäß EPTA-Verfahren 01/2003

Symbole

END311-1

Im Folgenden eine Darstellung der im Zusammenhang mit diesem Gerät verwendeten Symbole.
Machen Sie sich vor der Benutzung des Geräts unbedingt mit diesen Symbolen vertraut.



..... Lesen Sie die Betriebsanleitung.



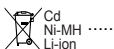
..... Tragen Sie eine Schutzbrille.



..... Verwenden Sie das Werkzeug nicht auf Gerüsten oder Leitern.



..... Nehmen Sie Ihre Finger vom Auslöser, wenn Sie keine Nägel eintreiben, um ein versehentliches Auslösen zu vermeiden.



..... Nur für EU-Länder
Entsorgen Sie Elektrowerkzeuge, Batterien und Akkus nicht über den Hausmüll!
Gemäß der Europäischen Richtlinie über Elektro- und Elektronik-

Altgeräte und über Batterien und Akkumulatoren sowie Altbatterien und Altakkumulatoren und ihrer Umsetzung in nationales Recht müssen verbrauchte Elektrowerkzeuge sowie Altbatterien und Altakkumulatoren getrennt gesammelt und einer umweltgerechten Wiederverwertung zugeführt werden.

Verwendungszweck

ENE073-1

Dieses Werkzeug wurde für die bei Innenausbau und Möbelmontage anfallenden Befestigungsarbeiten entwickelt.

Allgemeine Sicherheitshinweise für Elektrowerkzeuge

GEA010-1

⚠️ WARNUNG Lesen Sie alle Sicherheitshinweise und Anweisungen sorgfältig durch. Wenn die Hinweise und Anweisungen nicht beachtet werden, besteht die Gefahr eines Stromschlags, Brands und/oder das Risiko von ernsthaften Verletzungen.

Bewahren Sie alle Hinweise und Anweisungen zur späteren Referenz gut auf.

SICHERHEITSHINWEISE ZUM AKKU-NAGLER

GEB117-2

1. **Gehen Sie stets davon aus, dass sich Befestigungsmittel im Werkzeug befinden.** Ein unachtsamer Umgang mit dem Akku-Nagler kann zum plötzlichen Ausschleßen von Nägeln führen, die schwere Verletzungen verursachen können.
2. **Richten Sie das Werkzeug niemals auf sich oder andere Personen!** Bei einem ungewollten Auslösen werden Nägel ausgeschossen, die schwere Verletzungen verursachen können.
3. **Lösen Sie das Werkzeug nur dann aus, wenn es fest auf das Werkstück aufgesetzt ist.** Sitzt der Akkunagler nicht fest auf dem Werkstück auf, dann kann der Akkunagler ausschlagen.
4. **Trennen Sie das Werkzeug stets von der Stromversorgung, wenn sich ein Nagel im Werkzeug verklemmt hat.** Ist der Akku-Nagler beim Entfernen eines verklemmten Nagels an der Stromversorgung angeschlossen, kann der Akkunagler versehentlich ausgelöst werden.
5. **Gehen Sie beim Entfernen eines im Gerät verklemmten Nagels vorsichtig vor.** Beim Beheben einer Blockade kann der Mechanismus unter Druck stehen, wodurch ein Nagel mit großer Kraft herausschießen kann.
6. **Verwenden Sie diesen Akku-Nagler nicht für das Befestigen von Elektrokabeln.** Das Werkzeug ist nicht für das Befestigen von Elektrokabeln vorgesehen. Die Isolierung von Elektrokabeln kann durch das Werkzeug beschädigt werden, wodurch es zu einem Stromschlag und/oder einem Brand kommen kann.
7. **Tragen Sie stets eine Schutzbrille bzw. eine Schutzbrille mit Seitenschutz und ggf. einen Gesichtsschutz.**
8. **Halten Sie Hände und Füße fern vom Bereich der Auswurföffnung.**
9. **Befolgen Sie die Anweisungen hinsichtlich Schmiermittel und Austauschzubehör.**
10. **Ziehen Sie vor dem Laden von Nägeln, vor Einstell-, Inspektions- und Wartungsarbeiten sowie nach Betriebsende stets den Akkublock vom Werkzeug ab.**
11. **Vergewissern Sie sich vor Beginn der Nagelarbeiten, dass sich keine Personen in der Nähe aufhalten.** Treiben Sie niemals Nägel gleichzeitig von innerhalb und von außerhalb einer Wand ein! Die Nägel können dabei durchschlagen und/oder herausfliegen und dabei eine große Gefahr darstellen.
12. **Achten Sie beim Arbeiten mit dem Werkzeug auf sicheren Stand und Gleichgewicht.** Vergewissern Sie sich, dass sich bei Arbeiten an höhergelegenen Positionen keine Personen unterhalb von Ihnen aufhalten.
13. **Benutzen Sie niemals Nagler mit der Aufschrift „Verwenden Sie das Werkzeug nicht auf Gerüsten**

oder Leitern“ für beispielsweise folgende Arbeiten:

- wenn für einen Arbeitsortwechsel Gerüste, Treppen, Leitern oder leiterähnliche Konstruktionen wie z. B. Dachlatten erforderlich sind;
 - zum Verschließen von Kisten oder Verschlüssen;
 - zum Anbringen von Transportsicherheitssystemen z. B. an Fahrzeugen und Waggons.
14. **Überprüfen Sie vor Nagelarbeiten an Wänden, Decken, Fußböden, Dächern und dergleichen sorgfältig, dass Sie keine Nägel in Elektrokabel, Wasser- oder Gasrohre eintreiben, wodurch es zu Stromschlag, Gaslecks, Explosionen usw. kommen kann.**
 15. **Verwenden Sie ausschließlich die in dieser Anleitung vorgeschriebenen Befestigungsmittel.** Bei Verwendung anderer Befestigungsmittel kann es zu einer Fehlfunktion des Werkzeugs kommen.
 16. **Verwenden Sie das Werkzeug nicht missbräuchlich, sondern ausschließlich für das Eintreiben von Nägeln.**
 17. **Lösen Sie niemals das Werkzeug ohne Befestigungsmittel aus, weil Sie dadurch die Lebensdauer des Werkzeugs verkürzen.**
 18. **Brechen Sie den Betrieb sofort ab, wenn Sie einen Defekt oder etwas Ungewöhnliches am Werkzeug feststellen.**
 19. **Treiben Sie Nägel nicht in Materialien ein, die von den Nägeln durchschlagen werden können; ein Nagel kann in diesem Fall zum Projektil werden.**
 20. **Betätigen Sie erst bei korrekter Positionierung des Werkzeugs am Werkstück gleichzeitig den Auslöser und den Sicherheitshebel.** Lassen Sie das Werkstück den Sicherheitshebel herunterdrücken. Der Sicherheitshebel darf weder in entsicherter Stellung arretiert noch per Hand betätigt werden.
 21. **Setzen Sie niemals den Sicherheitshebel außer Funktion.** Prüfen Sie den Sicherheitshebel regelmäßig auf ordnungsgemäße Funktion.
 22. **Entfernen Sie immer aus einem nicht in Gebrauch befindlichen Werkzeug alle Befestigungsmittel.**

BEWAHREN SIE DIESE ANLEITUNG SORGFÄLTIG AUF.

⚠️ WARNUNG:

Lassen Sie NIEMALS aus Bequemlichkeit oder (aus fortwährendem Gebrauch gewonnener) Vertrautheit mit dem Werkzeug die geltenden Sicherheitsregeln außer Acht. Eine MISSBRÄUHLICHE Verwendung des Werkzeugs oder eine Nichtbeachtung der in diesem Handbuch enthaltenen Sicherheitshinweise kann zu schweren Verletzungen führen.

WICHTIGE SICHERHEITSREGELN

ENC007-9

FÜR AKKUBLOCK

1. Lesen Sie vor der Verwendung des Akkublocks alle Anweisungen und Sicherheitshinweise für das Akkuladegerät (1), den Akku (2) und das Produkt

- (3), für das der Akku verwendet wird, sorgfältig durch.
2. Der Akkublock darf nicht zerlegt werden.
 3. Falls die Betriebsdauer erheblich kürzer wird, beenden Sie den Betrieb umgehend. Andernfalls besteht die Gefahr einer Überhitzung sowie das Risiko möglicher Verbrennungen und sogar einer Explosion.
 4. Wenn Elektrolyt in Ihre Augen gerät, waschen Sie diese mit klarem Wasser aus und suchen Sie sofort einen Arzt auf. Andernfalls können Sie Ihre Sehfähigkeit verlieren.
 5. Vermeiden Sie einen Kurzschluss des Akkublocks:
 - (1) Die Kontakte dürfen nicht mit leitendem Material in Berührung kommen.
 - (2) Der Akkublock darf nicht in einem Behälter aufbewahrt werden, in dem sich andere metallische Gegenstände wie beispielsweise Nägel, Münzen usw. befinden.
 - (3) Der Akkublock darf weder Feuchtigkeit noch Regen ausgesetzt werden.

Ein Kurzschluss des Akkus kann zu hohem Kriechstrom, Überhitzung, möglichen Verbrennungen und sogar zu einer Zerstörung des Werkzeugs führen.
 6. Werkzeug und Akkublock dürfen nicht an Orten aufbewahrt werden, an denen Temperaturen von 50°C oder darüber erreicht werden können.
 7. Beschädigte oder verbrauchte Akkus dürfen nicht verbrannt werden. Der Akkublock kann in den Flammen explodieren.
 8. Lassen Sie den Akku nicht fallen und vermeiden Sie Schläge gegen den Akku.
 9. Verwenden Sie niemals einen beschädigten Akku.
 10. Befolgen Sie die in Ihrem Land geltenden Bestimmungen bzgl. der Entsorgung von Akkus.

BEWAHREN SIE DIESE ANLEITUNG SORGFÄLTIG AUF.

Tipps für eine maximale Nutzungsdauer von Akkus

1. Laden Sie den Akkublock auf, bevor der Akku vollständig entladen ist. Sobald Sie eine verringerte Leistung des Werkzeugs bemerken, beenden Sie stets den Betrieb des Werkzeugs und laden Sie den Akkublock auf.
2. Ein voll aufgeladener Akkublock darf niemals erneut geladen werden. Durch Überladungen wird die Lebensdauer des Akkus verkürzt.
3. Laden Sie den Akkublock bei einer Zimmertemperatur von 10°C bis 40°C auf. Lassen Sie einen heißen Akkublock vor dem Aufladen abkühlen.
4. Laden Sie den Akkublock auf, wenn Sie diesen für längere Zeit nicht verwenden (mehr als sechs Monate).

FUNKTIONSBESCHREIBUNG

⚠ ACHTUNG:

- Schalten Sie das Werkzeug stets aus und entfernen Sie den Akkublock, bevor Sie Einstellungen oder eine Funktionsprüfung des Werkzeugs vornehmen.

Einsetzen und Entfernen des Akkublocks (Abb. 1)

⚠ ACHTUNG:

- Schalten Sie das Werkzeug stets aus, bevor Sie den Akkublock einsetzen oder abnehmen.
- Halten Sie das Werkzeug und den Akkublock sicher fest, wenn Sie den Akkublock einsetzen oder herausnehmen. Andernfalls könnte Ihnen das Werkzeug oder der Akkublock aus den Händen fallen, wodurch das Werkzeug oder der Akkublock beschädigt werden oder Verletzungen verursachen können.

Zum Abnehmen des Akkublocks müssen Sie den auf der Akkublockvorderseite befindlichen Knopf verschieben und gleichzeitig den Akkublock aus dem Gerät herausziehen. Zum Einsetzen des Akkublocks müssen Sie die Zunge des Akkublocks an der Gehäusenut ausrichten und den Akkublock hineinschieben. Setzen Sie den Akkublock ganz ein, bis dieser mit einem leisen Klick einrastet. Wenn Sie den auf der Knopfobenseite befindlichen roten Bereich sehen können, ist der Akku nicht vollständig eingerastet.

⚠ ACHTUNG:

- Setzen Sie den Akkublock stets vollständig ein, bis der rote Bereich nicht mehr zu sehen ist. Andernfalls kann der Akkublock versehentlich aus dem Werkzeug fallen und Sie oder umstehende Personen verletzen.
- Wenden Sie beim Einsetzen des Akkublocks keine Gewalt an. Wenn der Akkublock nicht leicht hineingleitet, wurde dieser nicht richtig ausgerichtet.

Werkzeug-/Akku-Schutzsystem

Das Werkzeug ist mit einem Werkzeug-/Akku-Schutzsystem ausgestattet. Dieses System schaltet die Stromversorgung des Motors automatisch aus, um die Lebensdauer des Werkzeugs und des Akkus zu verlängern.

Unter nachfolgend genannten Bedingungen kann das Werkzeug während des Betriebs automatisch stoppen. Bei einigen dieser Bedingungen leuchten die Anzeigen auf. (Abb. 2)

Überhitzungsschutz für das Werkzeug

Ist das Werkzeug überhitzt, stoppt das Werkzeug automatisch und die Anzeigeleuchte blinkt ca. 60 Sekunden lang auf. Lassen Sie in dieser Situation das Werkzeug erst abkühlen, bevor Sie es wieder einschalten.

Überhitzungsschutz für den Akku

Ist der Akku überhitzt, stoppt das Werkzeug automatisch und die Akkuanzeige leuchtet ca. 60 Sekunden lang auf. Das Werkzeug startet selbst bei Betätigung des Auslösers nicht. Lassen Sie in dieser Situation den Akku erst abkühlen, bevor Sie das Werkzeug wieder einschalten.

HINWEIS:

Der Akku-Überhitzungsschutz funktioniert nur bei einem Akkublock mit Sternmarkierung. (Abb. 3)









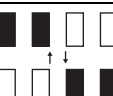
Tiefentladungsschutz

Wird die verbleibende Akkuladung zu gering, beginnt die Akkuanzeige zu blinken. Bei fortgesetztem Betrieb stoppt das Werkzeug und die Akkuanzeige leuchtet ca. 60 Sekunden lang auf. Laden Sie in diesem Fall den Akkublock wieder auf.

Anzeigen der Restladung des Akkus

(Nur für Akkublöcke mit einem „B“ am Ende der Modellnummer.) (Abb. 4)

Drücken Sie zum Anzeigen der Restladung des Akkus die Akkuprüftaste. Die Anzeigelampen leuchten dann wenige Sekunden lang auf.

Anzeigelampen				Verbleibende Akkuladung
				
				75% bis 100%
				50% bis 75%
				25% bis 50%
				0% bis 25%
				Laden Sie den Akku auf.
				Möglicherweise liegt ein Defekt des Akkus vor.

015658

HINWEIS:

- In Abhängigkeit von den Bedingungen bei Gebrauch und von der Umgebungstemperatur kann der angezeigte Ladezustand geringfügig vom tatsächlichen Ladezustand abweichen.

Der Verriegelungshebel

⚠ ACHTUNG:

- Verriegeln Sie nach dem Gebrauch des Werkzeuges immer den Auslöser mit dem Verriegelungshebel. (Abb. 5)

Der Auslöser des Werkzeugs kann durch einen Verriegelungshebel verriegelt werden, um Unfälle durch ein unbeabsichtigtes Ausschließen von Nägeln zu vermeiden. Der Verriegelungshebel blockiert den Auslöser und das Werkzeug kann nicht ausgelöst werden. Um den Auslöser zu verriegeln, müssen Sie den Verriegelungsknopf in die „LOCK“-Position stellen. Stellen Sie vor Beginn der Nagelarbeiten den Verriegelungsknopf in die Position „FREE“. Stellen Sie nach Beenden der Arbeiten immer den Verriegelungsknopf in die Position „LOCK“ und ziehen Sie den Akkublock vom Werkzeug ab.

Betriebsart auswählen (Abb. 6)

Das Werkzeug besitzt zwei Betriebsarten. Stellen Sie mit dem Betriebsart-Wahlschalter die gewünschte Betriebsart

ein. Für weitere Informationen siehe den Abschnitt „BETRIEB“.

Intermittierender Betrieb (Einzelauslösung)

In dieser Betriebsart können Sie einzelne Nägel so genau wie möglich eintreiben.

Dauer- bzw. intermittierender Betrieb (Serienauslösung)

In dieser Betriebsart können Sie je nach Auslöserbedienung eine Einzel- oder Serienauslösung auslösen.

Einstellen der Nageltiefe

⚠ WARNUNG:

- Achten Sie stets darauf, dass Sie Ihre Finger fern vom Auslöser halten, den Akkublock entnommen und alle Nägel entfernt haben. (Abb. 7)

Drehen Sie zum Erreichen einer geringeren Tiefe den Einsteller Richtung A (siehe Abbildung). Um eine größere Tiefe zu erreichen, drehen Sie den Einstellknopf in Richtung B.

Drehen Sie den Einsteller nicht zu weit, da der Einsteller stecken bleiben kann.

Lampe einschalten

⚠ ACHTUNG:

- Schauen Sie nicht direkt in das Licht oder in die Lichtquelle. (Abb. 8)

Zum Einschalten der Lampe müssen Sie den Auslöser betätigen oder den Kontaktfuß auf das Werkstück aufsetzen. Um die Lampe auszuschalten, müssen Sie den Auslöser loslassen oder den Kontaktfuß anheben. Die Lampe erlischt 10 Sekunden nach dem Loslassen des Auslösers bzw. Anheben des Kontaktfußes vom Werkstück.

HINWEIS:

- Wischen Sie auf der Lampenlinse befindlichen Schmutz mit einem trockenen Tuch ab. Achten Sie darauf, dass die Linse der Lampe nicht zerkratzt wird, da dies die Leuchtstärke mindern kann.
- Die Lampe leuchtet auch auf, wenn die verbleibende Akkuleistung für einen weiteren Betrieb des Naglers zu gering ist. Laden Sie in diesem Fall den Akkublock wieder auf.

MONTAGE

⚠ ACHTUNG:

- Achten Sie stets vor Arbeiten am Akku-Nagler darauf, dass Sie Ihre Finger nicht am Auslöser halten und dass Sie den Akkublock entnommen und alle Nägel entfernt haben.

Laden bzw. Entfernen von Nägeln

⚠ ACHTUNG:

- Achten Sie stets vor dem Laden von Nägeln darauf, dass Sie Ihre Finger nicht am Auslöser halten und den Akkublock entnommen haben.
- Schieben Sie nicht ruckartig die Schiebeklappe eines mit Nägeln beladenen Naglers auf. Ein versehentliches Herunterfallen von Nägeln kann – insbesondere bei

Arbeiten an hochgelegenen Plätzen – Personenschäden verursachen.

- Legen Sie die Nägel richtig ausgerichtet ein. Das Einlegen falsch ausgerichteter Nägel kann zu frühzeitigem Verschleiß der Führung und zu Beschädigungen anderer Komponenten führen.
- Verwenden Sie keine verformten Nägel. Verwenden Sie ausschließlich die in dieser Anleitung spezifizierten Nägel. Der Einsatz anderer Nageltypen kann zum Verkleben von Nägeln und zu Schäden am Nagler führen.

Drücken Sie den Arretierhebel und öffnen Sie die Schiebeklappe des Magazins. **(Abb. 9)**

Setzen Sie den Nagelstreifen so ein, dass die Nagelspitzen die Unterseite des Magazinschlitzes berühren und schieben Sie den Nagelstreifen in Richtung Auslassöffnung.

Schieben Sie die Schiebeklappe wieder in die ursprüngliche Position zurück, bis die Schiebeklappe vom Arretierhebel verriegelt wird.

Um die Nägel aus dem Magazin zu entfernen, müssen Sie den Arretierhebel drücken und die Schiebeklappe öffnen. Entnehmen Sie die Nägel aus dem Magazinschlitz. **(Abb. 10)**

Adapternase

⚠ ACHTUNG:

- Achten Sie stets darauf, dass Sie Ihre Finger fern vom Auslöser halten, den Akkublock entnommen und alle Nägel entfernt haben, bevor Sie die Adapternase montieren. **(Abb. 11)**

Verwenden Sie die Adapternase, um die Nägel in Werkstücke mit einer leicht beschädigten Oberfläche einzutreiben. Legen Sie für eine Montage der Adapternase diese auf die Führungsschiene, so dass der innerhalb der Adapternase befindliche Vorsprung in den Schlitz der Führungsschienenabdeckung passt. Bewahren Sie die Adapternase bei Nichtgebrauch im Halter an der Schiebeklappenrückseite auf, damit sie nicht verloren gehen kann. Es können zwei Adapternasen aufbewahrt werden.

Haken

⚠ ACHTUNG:

- Achten Sie stets darauf, dass Sie Ihre Finger fern vom Auslöser halten, den Akkublock entnommen und alle Nägel entfernt haben, bevor Sie den Haken verwenden.
- Hängen Sie niemals den Haken an den Gürtel! Falls sich der Haken verschiebt, kann der Nagler herunterfallen und Fehlauslösungen und Personenschäden verursachen. **(Abb. 12)**

Der Haken dient zum kurzzeitigen Aufhängen des Werkzeugs. Sie können den Haken zu beiden Seiten des Werkzeuges befestigen.

Setzen Sie den Haken in eine am Werkzeuggehäuse befindliche Nut (die Seite ist beliebig) ein und befestigen Sie den Haken mit einer Schraube. Zum Entfernen des Hakens müssen Sie nur die Schraube lösen und den Haken herausnehmen. **(Abb. 13)**

Aufbewahrung des Sechskantschlüssels (Abb. 14)

Bewahren Sie den Sechskantschlüssel nach seiner Benutzung wie in der Abbildung dargestellt auf, damit er nicht verloren geht.

BETRIEB

Inspektion der Auslöserfunktion

⚠ ACHTUNG:

- Stellen Sie vor jedem Betrieb die Funktion des Auslösers sicher. Sollten Sie eines der unten beschriebenen Probleme feststellen, dann wenden Sie sich für eine Reparaturanfrage an ein von Makita autorisiertes Servicecenter.
- Stellen Sie vor dem Einsetzen des Akkublocks in das Werkzeug sicher, dass sich der Auslöser korrekt bedienen lässt und beim Loslassen in die Position „OFF“ (AUS) zurückkehrt.

Das Werkzeug darf nicht auslösen, wenn ausschließlich der Auslöser betätigt oder der Kontaktfuß auf das Werkstück aufgesetzt wird.

Nägel eintreiben

⚠ ACHTUNG:

- Achten Sie darauf, dass Sie immer erst den Kontaktfuß gegen das Werkstück drücken, bevor Sie den Auslöser betätigen.

Wählen Sie am Betriebsart-Wahlschalter die Betriebsart aus wie im Abschnitt „Betriebsart auswählen“ beschrieben.

Intermittierender Betrieb (Einzelauslösung) (Abb. 15)

Drücken Sie vor dem Eintreiben eines Nagels den Verriegelungsknopf in die Position „FREE“. Setzen Sie den Kontaktfuß auf das Werkstück auf und betätigen Sie anschließend den Auslöser. Lassen Sie nach jedem Auslösevorgang den Auslöser los.

Dauer- bzw. intermittierender Betrieb (Serienauslösung) (Abb. 16)

In der Betriebsart Serienauslösung können Sie je nach Auslöserbedienung eine Einzel- oder Serienauslösung auslösen.

Drücken Sie vor dem Eintreiben eines Nagels den Verriegelungsknopf in die Position „FREE“.

- Für eine Serienauslösung müssen Sie zuerst den Auslöser ziehen und dann den Kontaktfuß auf das Werkstück aufsetzen. Für den nächsten Auslösevorgang brauchen Sie nicht mehr den Auslöser zu betätigen.
- Für eine Einzelauslösung setzen Sie den Kontaktfuß auf das Werkstück auf und betätigen Sie anschließend den Auslöser. Für den nächsten Auslösevorgang müssen Sie erneut den Auslöser betätigen.

HINWEIS:

- Unter folgenden Bedingungen erfolgt ein automatischer Betriebsstopp dieses Werkzeugs:
 - Wenn Sie den Auslöser loslassen oder den Kontaktfuß vom Werkstück nehmen, noch bevor das Werkzeug seinen Betrieb beendet hat.
- Betätigen Sie in einer solchen Situation erneut den

Auslöser, bis das Werkzeug den Standby-Modus einnimmt.

- Wenn Sie entweder den Auslöser betätigen oder den Kontaktfuß ca. 5 Sekunden auf das Werkstück aufsetzen, ohne dass ein Auslösevorgang erfolgt. Lassen Sie in dem Fall den Auslöser los oder lösen Sie den Kontaktfuß vom Werkstück, um den Betrieb neu zu starten.

Auslösemechanismus mit Schutzvorrichtung

Dieses Werkzeug verfügt über einen Auslösemechanismus mit Schutzvorrichtung. Es unterbricht automatisch nach Abgabe der letzten noch verbliebenen Nägel den Betrieb. Laden Sie in dem Fall Nägel nach, um den Betrieb fortzusetzen.

Entfernen von verklemmten Nägeln

⚠️ WARNUNG:

- Stellen Sie vor dem Entfernen von klemmenden Nägeln sicher, dass Sie den Auslöser losgelassen, der Akkublock abgezogen und alle Nägel entfernt haben.

Entfernen Sie mit dem Sechskantschlüssel die Innensechskantschrauben zur Befestigung der Führungsschienenabdeckung.

Entfernen Sie die Nägel aus der nun zugänglichen und dort verklemmten Nagelführungsnut.

Befestigen Sie mit den in richtiger Reihenfolge eingesetzten Innensechskantschrauben die Führungsschienenabdeckung. Ziehen Sie die Innensechskantschraube A, B und anschließend C an. (Abb. 17)

HINWEIS:

- Stellen Sie immer nach der Befestigung der Führungsschienenabdeckung dessen ordnungsgemäßen Betrieb sicher. Falls die Führungsschienenabdeckung nicht ordnungsgemäß funktioniert, müssen Sie die Innensechskantschrauben lösen und die Führungsschienenabdeckung erneut montieren.

Nägel (Abb. 18)

Gehen Sie sorgsam mit den Nägeln und dessen Verpackungen um. Bei unsorgsamer Behandlung können sich die Nägel verformen oder die Verbinder brechen, was zu Problemen bei der Nagelzuführung führen kann.

Lagern Sie Nägel nicht an sehr feuchten oder heißen Orten oder an Orten, die direktem Sonnenlicht ausgesetzt sind. (Abb. 19)

WARTUNG

⚠️ ACHTUNG:

- Schalten Sie vor Inspektionen oder Wartungsarbeiten das Gerät stets aus, ziehen Sie den Akkublock ab und entfernen Sie alle Nägel.
- Verwenden Sie zum Reinigen niemals Kraftstoffe, Benzin, Verdünner, Alkohol oder ähnliches. Dies kann zu Verfärbungen, Verformungen oder Rissen führen.

Reinigung des Magazins

Wenn sich der im Magazin befindliche Ausstoßer aufgrund von Staub-, Sand-, Späne- oder Fremdkörpereinfluss nicht bewegen lässt, müssen Sie das Magazin reinigen.

Lösen Sie zum Entfernen der Schiebeklappe die am Magazin befindliche Innensechskantschraube. (Abb. 20) Ziehen Sie den Ausstoßer von der Schiebeklappe und entfernen Sie anschließend den Stopper, die Hülsen und die Federn.

Montieren Sie nach dem Reinigen wieder alle Schiebeklappen-Komponenten. Gehen Sie für die Installation wie folgt vor: (Abb. 21)

1. Montieren Sie die große Feder in der Schiebeklappe.
2. Montieren Sie die Komponenten in richtiger Reihenfolge auf dem Ausstoßer: zuerst die Hülse, dann die kleine Feder und dann den Stopper.
3. Montieren Sie den Ausstoßer zusammen mit den anderen Komponenten auf der Schiebeklappe.

HINWEIS:

- Wenn Sie den Ausstoßer aus der Schiebeklappe herausziehen, können die in der Schiebeklappe befindlichen Komponenten herausfallen.
- Wenn Sie den Ausstoßer zusammen mit den anderen Komponenten an der Schiebeklappe montieren, dann müssen Sie zwischen dem Ausstoßer und den Hülsen ein wenig Platz lassen.

Zur Gewährleistung von SICHERHEIT und ZUVERLÄSSIGKEIT des Produkts dürfen Reparaturen, Wartungsarbeiten und Einstellungen nur durch von Makita autorisierte Servicecenter durchgeführt und ausschließlich Makita-Ersatzteile verwendet werden.

SONDERZUBEHÖR

⚠️ ACHTUNG:

- Für das in diesem Handbuch beschriebene Makita-Gerät werden die folgenden Zubehör- und Zusatzteile empfohlen. Bei Verwendung anderer Zubehör- und Zusatzteile kann es zu Verletzungen kommen. Verwenden Sie Zubehör- und Zusatzteile nur für den vorgesehenen Zweck.

Informationen zu diesem Zubehör erhalten Sie von Ihrem Makita-Servicecenter.

- Nägel
- Original-Akku und Ladegerät von Makita
- Schutzbrillen

HINWEIS:

- Einige der in der Liste aufgeführten Elemente sind dem Werkzeugpaket als Standardzubehör beigelegt. Diese können in den einzelnen Ländern voneinander abweichen.

Schallpegel

ENG905-1

Typischer A-bewerteter Schallpegel nach EN60745:

Schalldruckpegel (L_{pA}): 79 dB (A)

Abweichung (K): 3 dB (A)

Während des Betriebs kann der Schallpegel 80 dB (A) überschreiten.

Tragen Sie Gehörschutz.

Vibrationen

ENG904-2

Die Gesamtvibrationssbelastung wird gemäß EN60745 bestimmt:

Schwingungsemissionswert (a_n): 2,5 m/s² bzw.

weniger

Abweichung (K): 1,5 m/s²

ENG901-1

- Der hier angegebene Wert für die erzeugten Schwingungen wurde gemäß dem genormten Testverfahren ermittelt und kann als Vergleich zu anderen Werkzeugen herangezogen werden.
- Der angegebene Wert für die erzeugten Schwingungen ist außerdem für eine vorbeugende Bewertung der Belastung zu verwenden.

WARNUNG:

- Die Schwingungsbelastung kann bei tatsächlichem Gebrauch des Elektrowerkzeugs in Abhängigkeit von der Handhabung des Elektrowerkzeugs von dem hier aufgeführten Wert abweichen.
- Stellen Sie sicher, dass Schutzmaßnahmen für den Bediener getroffen werden, die auf den unter den tatsächlichen Arbeitsbedingungen zu erwartenden Belastungen beruhen (beziehen Sie alle Bestandteile des Arbeitsablaufs ein, also zusätzlich zu den Arbeitszeiten auch Zeiten, in denen das Werkzeug ausgeschaltet ist oder ohne Last läuft).

Nur für europäische Länder

ENH003-15

EG-Konformitätserklärung

Makita erklärt, dass die nachfolgende(n) Maschine(n):

Bezeichnung der Maschine(n):

Akku-Nagler

Nummer/Typ des Modells: DBN500

den folgenden Richtlinien der Europäischen Union genügt/genügen:

2006/42/EG

Sie werden gemäß den folgenden Standards oder Normen gefertigt:

EN60745, EN792

Die technischen Unterlagen gemäß 2006/42/EG sind erhältlich von:

Makita, Jan-Baptist Vinkstraat 2, 3070, Belgien

28. 4. 2015



Yasushi Fukaya

Direktor

Makita, Jan-Baptist Vinkstraat 2, 3070, Belgien

ITALIANO (Istruzioni originali)

Spiegazione della vista generale

- | | | |
|--|--|--|
| 1. Indicatore rosso | 17. Guida per i chiodi (elemento di contatto) | 33. Bullone esagonale A |
| 2. Pulsante | 18. Leva di blocco | 34. Bullone esagonale B |
| 3. Batteria | 19. Sportello scorrevole | 35. Bullone esagonale C |
| 4. Indicatore della batteria | 20. Guida per i chiodi | 36. Coperchio della guida per i chiodi |
| 5. Contrassegno a stella | 21. Scomparto | 37. Chiodi |
| 6. Spie luminose | 22. Chiodi | 38. Umido |
| 7. Pulsante di controllo | 23. Adattatore esterno | 39. Caldo |
| 8. Sicura del grilletto | 24. Sporgenza | 40. Bullone esagonale |
| 9. Premere per la posizione di blocco (Lock) | 25. Piastra centrale | 41. Dispositivo di spinta |
| 10. Premere per la posizione libera (Free) | 26. Supporto | 42. Manicotto |
| 11. Pulsante di selezione della modalità | 27. Scanalatura | 43. Molla (grande) |
| 12. Modalità sequenziale | 28. Gancio | 44. Molla (piccola) |
| 13. Modalità continua | 29. Vite | 45. Fermo |
| 14. Regolatore | 30. Chiave esagonale | |
| 15. Lampada | 31. Posizionare l'elemento di contatto contro il pezzo in lavorazione. | |
| 16. Grilletto | 32. Tirare il grilletto. | |

CARATTERISTICHE TECNICHE

Modello	DBN500	
Misura dei chiodi con testa a scomparsa	18Ga x 15, 20, 25, 30, 32, 35, 38, 40, 45, 50 mm	
Capacità dello scomparto per chiodi con testa a scomparsa	100 pz.	
Dimensioni (Lu x La x Al)	294 mm x 97 mm x 318 mm	
Tensione nominale	18 V CC	
Peso netto	3,3 kg	3,5 kg
Batterie standard	BL1815/BL1815N/BL1820/ BL1820B	BL1830/BL1840/BL1840B/ BL1850/BL1850B

- Le caratteristiche tecniche riportate di seguito sono soggette a modifiche senza preavviso in virtù del nostro programma continuo di ricerca e sviluppo.
- Le caratteristiche tecniche e le batterie possono differire da paese a paese.
- Peso, comprensivo di batterie, calcolato in base alla Procedura EPTA 01/2003

Simboli

END311-1

Di seguito sono riportati i simboli utilizzati per l'utensile. È importante comprenderne il significato prima dell'uso.



..... Leggere il manuale di istruzioni.



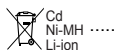
..... Indossare gli occhiali di protezione.



..... Non utilizzare su scale o impalcature.



..... Per evitare l'attivazione accidentale, tenere le dita lontane dal grilletto quando non occorre utilizzare l'utensile.



..... Solo per Paesi UE
Non gettare le apparecchiature elettriche o le batterie tra i rifiuti domestici.
Secondo le Direttive Europee sui rifiuti di apparecchiature elettriche ed

elettroniche, su batterie e accumulatori e sui rifiuti di batterie e di accumulatori, e la sua attuazione in conformità alle norme nazionali, le apparecchiature elettriche e le batterie esauste devono essere raccolte separatamente, al fine di essere riciclate in modo eco-compatibile.

Uso previsto

ENE073-1

L'utensile è progettato per operazioni di fissaggio a livello di opere interne e lavori di falegnameria.

Avvertenze generali di sicurezza per l'uso dell'utensile

GEA010-1

⚠ AVVERTENZA Leggere attentamente tutte le avvertenze di sicurezza e le istruzioni. La mancata osservanza delle istruzioni e delle avvertenze riportate di seguito potrebbe provocare scosse elettriche, incendi e/o lesioni gravi.

Conservare le avvertenze e le istruzioni per riferimenti futuri.

AVVERTENZE DI SICUREZZA PER LA CHIODATRICE SENZA FILI

GEB117-2

1. **Presumere sempre che l'utensile contenga i dispositivi di fissaggio.** Una manipolazione errata della chiodatrice può causare l'attivazione imprevista dell'utensile con conseguenti lesioni personali.
2. **Non puntare mai l'utensile verso se stessi o altre persone nelle vicinanze.** Un'attivazione imprevista provocherà l'espulsione del dispositivo di fissaggio con conseguenti lesioni.
3. **Non azionare l'utensile se non è posizionato saldamente contro il pezzo in lavorazione.** Se l'utensile non è a contatto con il pezzo in lavorazione, il dispositivo di fissaggio potrebbe deviare dall'obiettivo.
4. **Scollegare l'utensile dall'alimentazione se i dispositivi di fissaggio si inceppano al suo interno.** Durante la rimozione di un dispositivo di fissaggio inceppato, la chiodatrice potrebbe essere attivata per sbaglio se è collegata all'alimentazione.
5. **Adottare cautela per la rimozione di un dispositivo di fissaggio inceppato.** Nel tentare di risolvere un inceppamento, il meccanismo potrebbe essere sottoposto a compressione e il dispositivo di fissaggio potrebbe essere espulso con forza.
6. **Non utilizzare questa chiodatrice per il fissaggio di cavi elettrici.** Non è progettata per l'installazione di cavi elettrici e pertanto potrebbe danneggiare l'isolamento degli stessi, causando il pericolo di scosse elettriche o incendi.
7. **Indossare sempre gli occhiali di protezione con schermatura laterale, sostituendoli con uno schermo facciale quando necessario.**
8. **Tenere mani e piedi lontano dall'apertura di espulsione.**
9. **Attenersi alle istruzioni per la lubrificazione e la sostituzione degli accessori.**
10. **Rimuovere sempre la batteria prima di procedere al caricamento dei dispositivi di fissaggio, alla regolazione, all'ispezione, alla manutenzione o a qualunque altra operazione.**
11. **Prima dell'utilizzo, accertarsi che non vi siano persone nelle vicinanze. Non tentare di applicare contemporaneamente i dispositivi di fissaggio sui lati interno ed esterno di una parete. I dispositivi di fissaggio potrebbero trapassare e/o essere scagliati, causando grave pericolo.**
12. **Mentre si utilizza l'utensile, verificare di avere una buona aderenza a terra e mantenersi in equilibrio. Per il lavoro in posizioni elevate, assicurarsi che non vi siano persone sotto alla zona di lavoro.**
13. **Non utilizzare chiodatrici contrassegnate dal simbolo "Non utilizzare su scale o impalcature" per applicazioni specifiche, ad esempio:**
 - quando il passaggio da una posizione di chiodatura all'altra richiede l'uso di impalcature, scale, montacarichi o strutture analoghe, ad esempio travi di legno;
 - per chiudere scatole o casse;
- per il montaggio di sistemi di sicurezza per il trasporto, ad esempio su veicoli o vagoni.
14. **Controllare con cura le pareti, i soffitti, i pavimenti e i tetti per evitare possibili scosse elettriche, fughe di gas, esplosioni, ecc. causate dalla chiodatura su fili elettrici in tensione, condutture o tubi del gas.**
15. **Utilizzare esclusivamente i dispositivi di fissaggio specificati in questo manuale. L'uso di qualunque altro dispositivo di fissaggio può causare problemi di funzionamento dell'utensile.**
16. **Non manomettere l'utilizzo dell'utensile e non tentare di utilizzarlo per operazioni diverse dalla chiodatura.**
17. **Non azionare l'utensile senza dispositivi di fissaggio. La vita utile dell'utensile si abbrevierebbe.**
18. **Interrompere immediatamente le operazioni di chiodatura se si nota nell'utensile qualcosa di sbagliato o di strano.**
19. **Non applicare i dispositivi di fissaggio su materiali che potrebbero perforarsi e lasciare che i dispositivi di fissaggio vengano scagliati come proiettili.**
20. **Non azionare il grilletto e la leva di sicurezza contemporaneamente finché non si è pronti per la chiodatura del pezzo in lavorazione. Lasciare che sia il pezzo in lavorazione a premere la leva di sicurezza. Non vanificarne lo scopo fissando la leva di sicurezza nella posizione posteriore e premendola con la mano.**
21. **Non manomettere la leva di sicurezza. Controllare spesso il regolare funzionamento della leva di sicurezza.**
22. **Rimuovere sempre i dispositivi di fissaggio dall'utensile quando questo non è in uso.**

CONSERVARE QUESTE ISTRUZIONI.



AVVERTENZA:

NON lasciare che la familiarità acquisita con il prodotto (dovuta all'uso ripetuto) provochi l'inosservanza delle norme di sicurezza. L'USO IMPROPRIO o la mancata osservanza delle norme di sicurezza indicate in questo manuale di istruzioni possono provocare gravi danni alla persona.

ISTRUZIONI IMPORTANTI PER LA SICUREZZA

ENC007-9

RELATIVE ALLA BATTERIA

1. **Prima di utilizzare la batteria, leggere tutte le istruzioni e gli avvisi di sicurezza relativi a (1) caricabatteria, (2) batteria e (3) prodotto utilizzato con la batteria.**
2. **Non smontare la batteria.**
3. **Se il tempo di funzionamento è diventato eccessivamente breve, non utilizzare l'utensile. Potrebbero verificarsi surriscaldamenti, ustioni o esplosioni.**
4. **In caso di contatto dell'elettrolita della batteria con gli occhi, sciacquare con acqua fresca e rivolgersi**

immediatamente a un medico. Potrebbero verificarsi danni permanenti alla funzionalità visiva.

5. **Non cortocircuitare la batteria:**
 - (1) **Non toccare i terminali della batteria con materiale in grado di condurre elettricità.**
 - (2) **Evitare di conservare la batteria a contatto con oggetti metallici quali chiodi, monete e così via.**
 - (3) **Non esporre le batterie all'acqua o alla pioggia.**

Un cortocircuito può provocare un elevato flusso di corrente, surriscaldamento, ustioni o rotture.
6. **Non conservare l'utensile e la batteria a una temperatura superiore a 50 °C.**
7. **Evitare di smaltire le batterie danneggiate o esaurite bruciandole. Se esposte al fuoco, le batterie possono esplodere.**
8. **Evitare di far cadere o di colpire la batteria.**
9. **Non utilizzare batterie danneggiate.**
10. **Attenersi alle normative della propria area geografica relative allo smaltimento delle batterie.**

CONSERVARE QUESTE ISTRUZIONI.

Suggerimenti per il prolungamento della durata della batteria

1. **Caricare le batterie prima di scaricarle completamente.**

Se si nota una diminuzione di potenza dell'utensile, interrompere il lavoro e ricaricare la batteria.
2. **Non ricaricare una batteria già completamente carica.**

In caso contrario, la durata operativa della batteria potrebbe ridursi.
3. **Caricare la batteria in ambienti con temperatura compresa tra 10 °C e 40 °C. Prima di caricare una batteria surriscaldata, lasciarla raffreddare.**
4. **Caricare la batteria qualora non venga utilizzata per un lungo periodo (superiore a sei mesi).**

DESCRIZIONE FUNZIONALE

⚠ ATTENZIONE:

- Prima di regolare o controllare le funzioni dell'utensile, assicurarsi sempre di averlo spento e di aver rimosso la batteria.

Inserimento o rimozione della batteria (Fig. 1)

⚠ ATTENZIONE:

- Spegnerne sempre l'utensile prima di inserire o rimuovere la batteria.
- **Tenere saldamente l'utensile e la batteria durante l'inserimento o la rimozione della batteria stessa.** In caso contrario, l'utensile e la batteria potrebbero scivolare dalle mani, con conseguenti danni all'utensile, alla batteria e alla persona.

Per rimuovere la batteria è sufficiente farla scivolare all'esterno dell'utensile mentre si fa scorrere il pulsante sulla parte anteriore della batteria.

Per inserire la batteria, allineare la linguetta sulla batteria con la scanalatura nell'alloggiamento e farla scorrere in posizione. Inserire a fondo la batteria fino a bloccarla in posizione con uno scatto. Se è visibile l'indicatore rosso sul lato superiore del pulsante, significa che la batteria non è completamente inserita.

⚠ ATTENZIONE:

- Inserire sempre a fondo la batteria, fino alla scomparsa dell'indicatore rosso. In caso contrario, la batteria potrebbe fuoriuscire accidentalmente dall'utensile, provocando danni all'operatore o a eventuali osservatori.
- Non forzare l'inserimento della batteria. Se la batteria non scorre agevolmente, significa che la manovra di inserimento non è corretta.

Sistema di protezione dell'utensile e della batteria

L'utensile è dotato di un sistema di protezione dell'utensile e della batteria. Questo sistema interrompe automaticamente l'alimentazione del motore per prolungare la durata dell'utensile e della batteria. L'utensile si spegne automaticamente durante l'uso se l'utensile stesso o la batteria si trovano in una delle seguenti condizioni. In alcuni casi, gli indicatori si accendono. (Fig. 2)

Protezione dal surriscaldamento dell'utensile

Quando l'utensile si surriscalda, si spegne automaticamente e l'indicatore lampeggia per circa 60 secondi. In questa situazione, far raffreddare l'utensile prima di accenderlo nuovamente.

Protezione dal surriscaldamento della batteria

Quando la batteria si surriscalda, l'utensile si spegne automaticamente e l'indicatore della batteria si accende per circa 60 secondi. L'utensile non si avvia nemmeno tirando il grilletto. In questa situazione, far raffreddare la batteria prima di accendere nuovamente l'utensile.

NOTA:

La protezione dal surriscaldamento della batteria funziona solo con una batteria con contrassegno a stella. (Fig. 3)

Protezione dal sovraccaricamento

Se la capacità residua della batteria è bassa, l'indicatore lampeggia. Se si prosegue l'utilizzo, l'utensile si spegne e l'indicatore si accende per circa 60 secondi. In questa situazione, ricaricare la batteria.

Indicazione della capacità residua della batteria

(Solo per batterie il cui codice modello termina con "B"). (Fig. 4)

Premere il pulsante di controllo sulla batteria per visualizzare la capacità residua della batteria. Le spie luminose si illuminano per qualche secondo.

Spie luminose			Capacità residua
Accesa	Spenta	Lampeggiante	
■	□	▧	
■ ■ ■ ■			Dal 75% al 100%
■ ■ ■ □			Dal 50% al 75%
■ ■ □ □			Dal 25% al 50%
■ □ □ □			Dal 0% al 25%
▧ □ □ □			Caricare la batteria.
■ ■ □ □	↑ ↓	■ ■	Probabile malfunzionamento o della batteria.

015658

NOTA:

- Il valore indicato potrebbe variare leggermente dalla capacità effettiva in base alle condizioni di utilizzo e alla temperatura ambientale.

Utilizzo della sicura del grilletto

⚠ ATTENZIONE:

- Quando l'utensile non è in uso o dopo averlo utilizzato, bloccare sempre il grilletto con la relativa sicura. (Fig. 5)

L'utensile dispone di una sicura del grilletto per evitare gli incidenti dovuti a un avviamento involontario. La sicura del grilletto immobilizza il grilletto e impedisce all'utensile di espellere i chiodi.

Per bloccare il grilletto, portare il pulsante di blocco nella posizione "LOCK".

Prima della chiodatura, portare il pulsante di blocco nella posizione "FREE". Quando non si utilizza l'utensile, impostare sempre la posizione "LOCK" ed estrarre la batteria dall'utensile.

Selezione della modalità di chiodatura (Fig. 6)

L'utensile dispone di due diverse modalità di chiodatura. Selezionare il tipo di chiodatura desiderato con il pulsante di selezione della modalità. Per maggiori dettagli, vedere la sezione "FUNZIONAMENTO".

Chiodatura intermittente (modalità sequenziale)

Questa modalità consente di posizionare un chiodo in maniera precisa e con attenzione.

Chiodatura continua/intermittente (modalità continua)

In questa modalità è possibile scegliere la chiodatura continua o intermittente con l'azionamento sequenziale del grilletto.

Regolazione della profondità di chiodatura

⚠ AVVERTENZA:

- Assicurarsi di non posizionare le dita sul grilletto e di avere rimosso la batteria e i chiodi. (Fig. 7)

Per ottenere una profondità minore, ruotare il regolatore nella direzione A, come mostrato nella figura. Per ottenere una profondità maggiore, ruotare il regolatore nella direzione B.

Non ruotare eccessivamente il regolatore onde evitare inceppamenti.

Accensione della lampada

⚠ ATTENZIONE:

- Non guardare direttamente la luce o la sorgente di luce. (Fig. 8)

Per accendere la lampada, tirare il grilletto o posizionare l'elemento di contatto contro il pezzo in lavorazione. Rilasciare il grilletto o allontanare l'elemento di contatto per spegnerla.

La lampada si spegne 10 secondi dopo il rilascio del grilletto o l'allontanamento dell'elemento di contatto dal pezzo in lavorazione.

NOTA:

- Utilizzare un panno asciutto per pulire la lente della lampada. Prestare attenzione a non graffiare la lente della lampada, onde evitare riduzioni dell'intensità luminosa.
- Se la carica della batteria è limitata, la lampada si accende comunque, ma la chiodatrice potrebbe non funzionare. In questo caso, ricaricare la batteria.

MONTAGGIO

⚠ ATTENZIONE:

- Assicurarsi di non posizionare le dita sul grilletto e di avere rimosso la batteria e i chiodi prima di eseguire qualunque intervento sulla chiodatrice.

Caricamento o scaricamento dei chiodi

⚠ ATTENZIONE:

- Assicurarsi di non posizionare le dita sul grilletto e di avere rimosso la batteria prima di caricare i chiodi.
- Non far scorrere improvvisamente lo sportello scorrevole della chiodatrice carica di chiodi. Una caduta accidentale dei chiodi, specialmente durante le operazioni in posizioni elevate, può provocare lesioni personali.
- Caricare i chiodi nella direzione corretta. Il caricamento nella direzione errata può causare un'usura prematura della guida per i chiodi e danni agli altri componenti.
- Non utilizzare chiodi deformati. Utilizzare i chiodi specificati in questo manuale. L'uso di chiodi diversi da quelli specificati può causare inceppamenti dei chiodi e rotture della chiodatrice.

Premere la leva di blocco e aprire lo sportello scorrevole dello scomparto. (Fig. 9)

Posizionare la striscia di chiodi in modo che le punte dei chiodi tocchino la parte inferiore della fessura dello scomparto e inserire la striscia di chiodi spingendola verso l'apertura di espulsione.

Riportare lo sportello scorrevole nella posizione originale bloccandolo con la leva di blocco.

Per rimuovere i chiodi, premere la leva di blocco e far scorrere lo sportello scorrevole. Estrarre i chiodi dalla fessura dello scomparto. (Fig. 10)

Adattatore esterno

⚠ ATTENZIONE:

- Assicurarsi di non posizionare le dita sul grilletto e di avere rimosso la batteria e i chiodi prima di montare l'adattatore esterno. (Fig. 11)

Utilizzare l'adattatore esterno per la chiodatura di materiale che presenta superfici facilmente danneggiabili. Per montare l'adattatore esterno, posizionarlo sulla piastra centrale in modo che la sporgenza interna all'adattatore stesso penetri nella fessura del coperchio della guida per i chiodi.

Quando non è in uso, riporre l'adattatore esterno sul supporto presente all'estremità inferiore dello sportello scorrevole, evitando così di perderlo. In totale è possibile riporre due adattatori esterni.

Gancio

⚠ ATTENZIONE:

- Assicurarsi di non posizionare le dita sul grilletto e di avere rimosso la batteria e i chiodi prima di utilizzare il gancio.
- Non appendere il gancio alla cintura. Una caduta della chiodatrice, causata dalla fuoriuscita accidentale del gancio, può provocare problemi di espulsione e lesioni personali. (Fig. 12)

Il gancio è utile per appendere temporaneamente l'utensile. Può essere montato su entrambi i lati dell'utensile.

Per montare il gancio, inserirlo in una delle scanalature presenti sui lati del corpo dell'utensile e fissarlo con una vite. Per rimuoverlo, allentare le viti ed estrarlo. (Fig. 13)

Alloggiamento della chiave esagonale (Fig. 14)

Quando non è in uso, riporre la chiave esagonale come mostrato nella figura, evitando così di perderla.

FUNZIONAMENTO

Ispezione della funzionalità del grilletto

⚠ ATTENZIONE:

- Prima di ogni operazione, assicurarsi che il grilletto funzioni correttamente. Se si rilevano i problemi descritti di seguito, rivolgersi ai centri assistenza autorizzati Makita per la riparazione.
- Prima di inserire la batteria nell'utensile, controllare se l'interruttore funziona correttamente e ritorna in posizione "OFF" una volta rilasciato.

L'utensile non deve funzionare solo tirando il grilletto o solo posizionando l'elemento di contatto contro il pezzo in lavorazione.

Chiodatura

⚠ ATTENZIONE:

- Accertarsi sempre di posizionare l'elemento di contatto contro il pezzo in lavorazione prima di tirare il grilletto.

Selezionare la modalità di chiodatura premendo il pulsante di selezione della modalità, come indicato nella sezione "Selezione della modalità di chiodatura".

Chiodatura intermittente (modalità sequenziale) (Fig. 15)

Per posizionare un chiodo, portare il pulsante di blocco nella posizione "FREE". Posizionare l'elemento di contatto contro il pezzo in lavorazione e tirare il grilletto. Rilasciare il grilletto dopo ogni operazione.

Chiodatura continua/intermittente (modalità continua) (Fig. 16)

Nella modalità continua, è possibile effettuare sia la chiodatura continua sia la chiodatura intermittente.

Per posizionare un chiodo, portare il pulsante di blocco nella posizione "FREE".

- Per la chiodatura continua, tirare il grilletto e poi posizionare l'elemento di contatto contro il pezzo in lavorazione. Per l'azionamento successivo non è necessario rilasciare il grilletto.
- Per la chiodatura intermittente, posizionare l'elemento di contatto contro il pezzo in lavorazione e tirare il grilletto. Per l'azionamento successivo è necessario rilasciare prima il grilletto.

NOTA:

- L'utensile si ferma automaticamente nelle seguenti condizioni:
 - Se si rilascia il grilletto o si allontana l'elemento di contatto dal pezzo in lavorazione prima che l'utensile abbia completato l'operazione. In questa situazione, tirare nuovamente il grilletto per portare l'utensile in standby.
 - Quando si tira il grilletto o si posiziona l'elemento di contatto contro il pezzo in lavorazione per 5 secondi senza eseguire altre azioni. In questo caso, rilasciare il grilletto o allontanare l'elemento di contatto dal pezzo in lavorazione per ricominciare l'operazione.

Meccanismo contro l'azionamento a vuoto

L'utensile è dotato di un meccanismo contro l'azionamento a vuoto, che interrompe automaticamente l'espulsione dei chiodi quando i chiodi sono esauriti. In questo caso, caricare altri chiodi per riprendere le operazioni.

Rimozione dei chiodi inceppati

⚠ AVVERTENZA:

- Assicurarsi di aver rilasciato il grilletto e di avere rimosso la batteria e i chiodi prima di rimuovere i chiodi inceppati.

Rimuovere i bulloni esagonali che fissano il coperchio della guida per i chiodi con la chiave esagonale. Estrarre i chiodi inceppati dalla scanalatura della guida dei chiodi ora visibile.

Fissare il coperchio della guida per i chiodi con i bulloni esagonali, procedendo nell'ordine corretto: A, B e C. (Fig. 17).

NOTA:

- Dopo aver fissato il coperchio della guida per i chiodi, assicurarsi che il coperchio funzioni correttamente. In caso contrario, rimuovere i bulloni esagonali e rimontare il coperchio della guida per i chiodi.

Chiodi (Fig. 18)

Maneggiare con cura i chiodi e la loro confezione. Se i chiodi vengono maneggiati in modo errato, potrebbero risultare deformati o rotti, provocando errori di alimentazione dei chiodi.

Evitare di conservare i chiodi in un luogo molto umido o caldo, né in un ambiente esposto alla luce diretta del sole. (Fig. 19)

MANUTENZIONE

⚠ ATTENZIONE:

- Prima di effettuare interventi di ispezione e manutenzione, verificare sempre di aver spento l'utensile e di aver rimosso la batteria e i chiodi.
- Evitare assolutamente di usare benzina, diluenti, solventi, alcol o sostanze simili. In caso contrario, potrebbero verificarsi scoloriture, deformazioni o incrinature.

Pulizia dello scomparto

Se il dispositivo di spinta nello scomparto non si muove liberamente a causa di polvere, sabbia, trucioli o altri corpi estranei è necessario pulire lo scomparto.

Per rimuovere lo sportello scorrevole, allentare il bullone esagonale dello scomparto. (Fig. 20)

Estrarre il dispositivo di spinta dallo sportello scorrevole, quindi rimuovere il fermo, i manicotti e le molle.

Dopo la pulizia, installare tutti i componenti nello sportello scorrevole, attenendosi alla seguente procedura.

(Fig. 21)

1. Inserire la molla grande nello sportello scorrevole.
2. Montare i componenti sul dispositivo di spinta procedendo nell'ordine corretto: manicotto, molla piccola, fermo.
3. Montare il dispositivo di spinta con gli altri componenti nello sportello scorrevole.

NOTA:

- Quando si estrae il dispositivo di spinta dallo sportello scorrevole, i componenti potrebbero fuoriuscire di scatto.
 - Quando si montano il dispositivo di spinta e gli altri componenti nello sportello scorrevole, lasciare un piccolo spazio tra il dispositivo di spinta e i manicotti.
- Per mantenere la SICUREZZA e l'AFFIDABILITÀ del prodotto, qualsiasi riparazione o intervento di manutenzione e regolazione deve essere eseguito dai centri assistenza autorizzati Makita utilizzando sempre ricambi Makita.

ACCESSORI OPZIONALI

⚠ ATTENZIONE:

- Si consiglia l'uso dei seguenti accessori per l'utensile Makita descritto in questo manuale. L'uso di qualsiasi altro accessorio potrebbe provocare lesioni personali. Utilizzare gli accessori esclusivamente per l'uso dichiarato.

Per l'assistenza e per ulteriori informazioni su tali accessori, rivolgersi al centro assistenza Makita di zona.

- Chiodi
- Batterie e caricabatterie originali Makita
- Occhiali di protezione

NOTA:

- Alcuni degli accessori elencati potrebbero essere inclusi nella confezione dell'utensile come accessori standard. Gli accessori standard possono differire da paese a paese.

Rumorosità

ENG905-1

Il tipico livello di rumore ponderato A è determinato in conformità alla norma EN60745:

Livello di pressione sonora (L_{pA}): 79 dB (A)

Variazione (K): 3 dB (A)

Il livello di rumorosità durante il funzionamento può superare 80 dB (A).

Indossare una protezione acustica.

Vibrazione

ENG904-2

Il valore totale delle vibrazioni è determinato in conformità alla norma EN60745:

Emissione di vibrazioni (a_{h1}): 2,5 m/s² o inferiore

Variazione (K): 1,5 m/s²

ENG901-1

- Il valore di emissione delle vibrazioni dichiarato è stato misurato in conformità con il metodo di test standard e può essere utilizzato per confrontare tra loro diversi utensili.
- Il valore dell'emissione delle vibrazioni dichiarato può anche essere usato per stime preliminari dell'esposizione.

⚠ AVVERTENZA:

- L'emissione delle vibrazioni durante l'uso effettivo dell'utensile elettrico può risultare diversa rispetto al valore dichiarato, in base alla modalità d'uso dell'utensile.
- Assicurarsi di individuare le necessarie misure di sicurezza per proteggere l'operatore in base a una stima dell'esposizione nelle condizioni reali di utilizzo (prendendo in considerazione tutte le fasi del ciclo operativo, come quante volte l'utensile viene spento e i periodi in cui rimane inattivo, oltre al tempo di avviamento).

Solo per i paesi europei

ENH003-15

Dichiarazione di conformità CE

Makita dichiara che le macchine seguenti:

Denominazione dell'utensile:

Chiodatrice pneumatica senza fili

N. modello/Tipo: DBN500

sono conformi alle seguenti direttive europee:

2006/42/EC

Sono prodotte in conformità agli standard o ai documenti standardizzati riportati di seguito:

EN60745, EN792

Il documento tecnico ai sensi della Direttiva europea
2006/42/EC è disponibile presso:
Makita, Jan-Baptist Vinkstraat 2, 3070, Belgio

28. 4. 2015

A handwritten signature in black ink, appearing to read 'Yasushi Fukaya'.

Yasushi Fukaya
Direttore

Makita, Jan-Baptist Vinkstraat 2, 3070, Belgio

NEDERLANDS (Originele instructies)

Verklaring van het onderdelenoverzicht

- | | | |
|--|------------------------------------|---|
| 1. Rode deel | 15. Lampje | 31. Druk de contactschoen tegen het werkstuk. |
| 2. Knop | 16. Trekker | 32. Knijp de trekker in. |
| 3. Accu | 17. Stotergeleider (contactschoen) | 33. Inbusbout A |
| 4. Accu-indicatorlampje | 18. Vergrendelhendel | 34. Inbusbout B |
| 5. Ster-merkteken | 19. Schuif van het magazijn | 35. Inbusbout C |
| 6. Indicatorlampjes | 20. Stotergeleider | 36. Deksel van stotergeleider |
| 7. Testknop | 21. Magazijn | 37. Nagel |
| 8. Tekkervergrendeling | 22. Nagels | 38. Vocht |
| 9. Indrukken naar vergrendelde stand (Lock) | 23. Neusadapter | 39. Warmte |
| 10. Indrukken naar ontgrendelde stand (Free) | 24. Uitsteeksel | 40. Inbusbout |
| 11. Functiekeuzeknop | 25. Middenplaat | 41. Aandrukker |
| 12. Onderbroken functie | 26. Houder | 42. Bus |
| 13. Ononderbroken functie | 27. Groef | 43. Veer (groot) |
| 14. Stelknop | 28. Haak | 44. Veer (klein) |
| | 29. Schroef | 45. Aanslag |
| | 30. Inbussleutel | |

TECHNISCHE GEGEVENS

Model	DBN500	
Maat van nagels	18Ga x 15, 20, 25, 30, 32, 35, 38, 40, 45, 50 mm	
Capaciteit van nagelmagazijn	100 stuks	
Afmetingen (l x b x h)	294 mm x 97 mm x 318 mm	
Nominale spanning	18 V gelijkstroom	
Nettogewicht	3,3 kg	3,5 kg
Standaardaccu's	BL1815/BL1815N/BL1820/ BL1820B	BL1830/BL1840/BL1840B/ BL1850/BL1850B

- Als gevolg van ons doorlopende onderzoeks- en ontwikkelingsprogramma, zijn de technische gegevens van dit gereedschap onderhevig aan veranderingen zonder voorafgaande kennisgeving.
- Specificaties en accu's kunnen van land tot land verschillen.
- Gewicht, inclusief de accu, volgens de EPTA-procedure 01/2003

Symbolen

END311-1

Hieronder staan de symbolen die voor het gereedschap worden gebruikt.

Zorg ervoor dat u weet wat ze betekenen alvorens het gereedschap te gebruiken.



..... Lees de gebruiksaanwijzing.



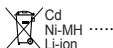
..... Draag een veiligheidsbril.



..... Gebruik het gereedschap niet op een steiger of ladder.



..... Houd uw vingers weg bij de trekker wanneer u geen bevestigingsmiddelen wilt schieten om het per ongeluk schieten van bevestigingsmiddelen te voorkomen.



..... Alleen voor EU-landen
Geef elektrisch gereedschap en accu's niet met het huisvuil mee!
Volgens de Europese richtlijn inzake oude elektrische en elektronische

apparaten, en inzake batterijen en accu's en oude batterijen en accu's, en de toepassing daarvan binnen de nationale wetgeving, dienen elektrisch gereedschap, accu's en batterijen die het einde van hun levensduur hebben bereikt, gescheiden te worden ingezameld en te worden afgevoerd naar een recyclebedrijf dat voldoet aan de geldende milieu-eisen.

Gebruiksdoelinden

ENE073-1

Dit gereedschap is bedoeld voor bevestigingen bij werkzaamheden binnenshuis en aan meubilair.

Algemene veiligheidswaarschuwingen voor elektrisch gereedschap

GEA010-1



WAARSCHUWING Lees alle

veiligheidswaarschuwingen en alle instructies. Het niet volgen van de waarschuwingen en instructies kan leiden tot elektrische schokken, brand en/of ernstig letsel.

Bewaar alle waarschuwingen en instructies om in de toekomst te kunnen raadplegen.

VEILIGHEIDSWAARSCHUWINGEN SPECIFIEK VOOR EEN ACCUNAGELPISTOOL

GEB117-2

1. **Ga er altijd vanuit dat in het gereedschap bevestigingsmiddelen zitten.** Onzorgvuldig omgaan met het nagelpistool kan resulteren in onverwacht afschieten van bevestigingsmiddelen waardoor persoonlijk letsel kan ontstaan.
2. **Richt het gereedschap niet op uzelf of iemand in de buurt.** Onverwacht de trekker overhalen vuurt bevestigingsmiddelen af en leidt tot letsel.
3. **Schakel het gereedschap niet in als dit niet stevig tegen het werkstuk wordt gedrukt.** Als het gereedschap niet in contact staat met het werkstuk, kan het bevestigingsmiddel van het doel afbuigen.
4. **Koppel het gereedschap los van de voeding als een bevestigingsmiddel is vastgelopen in het gereedschap.** Tijdens het verwijderen van een vastgelopen bevestigingsmiddel, kan het nagelpistool per ongeluk worden geactiveerd als het is aangesloten op de voeding.
5. **Wees voorzichtig bij het verwijderen van een vastgelopen bevestigingsmiddel.** Het mechanisme kan onder druk staan en het vastgelopen bevestigingsmiddel kan met kracht eruit komen terwijl u het probeert vrij te maken.
6. **Gebruik het nagelpistool niet voor het bevestigen van elektriciteitskabels.** Het is niet ontworpen voor de installatie van elektriciteitskabels en kan de isolatie van de elektriciteitskabels beschadigen en hierdoor elektrische schokken of brandgevaar veroorzaken.
7. **Gebruik altijd een beschermende bril of een veiligheidsbril met zijstukken en een spatscherm als dat nodig is.**
8. **Houd handen en voeten uit de buurt van de schietmond.**
9. **Volg de instructies voor het smeren en verwisselen van accessoires.**
10. **Verwijder altijd de accu voordat u nieuwe bevestigingsmiddelen laadt, tijdens afstellen, inspectie, onderhoud of nadat het werk is voltooid.**
11. **Controleer voor het bedienen dat niemand dichtbij staat. Probeer nooit tegelijkertijd van binnenuit en van buitenaf bevestigingsmiddelen in een muur te schieten. De bevestigingsmiddelen kunnen er dwars doorheen schieten of afketsen en een groot gevaar opleveren.**
12. **Zorg ervoor dat u tijdens het gebruik van het gereedschap stevig staat en uw evenwicht goed bewaart. Zorg ervoor dat niemand onder u staat als u op hogere locaties werkt.**
13. **Gebruik nooit elektrisch bevestigingsgereedschap met daarop het symbool "Gebruik het gereedschap niet op een steiger of ladder" bij bepaalde toepassingen, bijvoorbeeld:**
 - als bij het veranderen van een werkplek naar de volgende, gebruik gemaakt wordt van een steiger,

trap, ladder of soortgelijke constructies, bijv. daklatten;

- bij het sluiten van dozen of kratten, en
 - bij het monteren van transportbeveiligingssystemen, bijv. op voertuigen en aanhangers.
14. **Controleer muren, plafonds, vloeren en dergelijke grondig om te voorkomen dat door het niet in elektrische draden, pijpen of gasleidingen een elektrische schok, gaslek, explosie, enz., kan ontstaan.**
 15. **Gebruik uitsluitend bevestigingsmiddelen die in deze gebruiksaanwijzing worden aangegeven. Door een ander soort bevestigingsmiddel te gebruiken, kan een storing in het gereedschap worden veroorzaakt.**
 16. **Knoei niet aan het gereedschap en gebruik het niet voor een ander doeleinde dan voor het aanbrengen van bevestigingsmiddelen.**
 17. **Bedien het gereedschap niet zonder dat er bevestigingsmiddelen in zitten. De levensduur van het gereedschap zal hierdoor korter worden.**
 18. **Stop onmiddellijk met bevestigen als u een probleem of iets vreemds opmerkt aan het gereedschap.**
 19. **Breng nooit bevestigingsmiddelen aan in materialen waarvan de bevestigingsmiddelen het materiaal kunnen doorboren en er doorheen kunnen vliegen.**
 20. **Activeer nooit op hetzelfde moment de trekker en de veiligheidspal tot u er klaar voor bent om een bevestigingsmiddel aan te brengen in het materiaal. Laat het werkstuk de veiligheidspal indrukken. Doe de werking van het apparaat niet teniet door de veiligheidspal vast te zetten of met de hand ingedrukt te houden.**
 21. **Knoei nooit aan de veiligheidspal. Controleer de veiligheidspal regelmatig voor een juiste toepassing.**
 22. **Haal de bevestigingsmiddelen altijd uit het gereedschap wanneer u het niet gebruikt.**

BEWAAR DEZE INSTRUCTIES

⚠ WAARSCHUWING:

Laat u NIET misleiden door een vals gevoel van comfort en bekendheid met het gereedschap (na veelvuldig gebruik) en neem alle veiligheidsvoorschriften van het betreffende product altijd strikt in acht. VERKEERD GEBRUIK of het niet volgen van de veiligheidsinstructies in deze gebruiksaanwijzing kan leiden tot ernstig persoonlijk letsel.

BELANGRIJKE VEILIGHEIDSinSTRUCTIES ENC007-9

VOOR ACCU'S

1. Alvorens de accu in gebruik te nemen, leest u eerst alle instructies en waarschuwingsofschriften op (1) de acculader, (2) de accu en (3) het apparaat waarin de accu wordt aangebracht.

2. **Haal de accu niet uit elkaar.**
3. **Als de gebruikstijd aanzienlijk korter is geworden, stopt u onmiddellijk met het gebruik. Anders kan dit leiden tot kans op oververhitting, mogelijke brandwonden en zelfs een explosie.**
4. **Als de elektrolyt in uw ogen komt, wast u deze uit met schoon water en raadpleegt u onmiddellijk een arts. Dit kan leiden tot verlies van gezichtsvermogen.**
5. **Sluit de accu niet kort:**
 - (1) **Raak de accupolen niet aan met enig geleidend materiaal.**
 - (2) **Bewaar de accu niet op een plaats waar deze in aanraking kan komen met andere metalen voorwerpen, zoals spijkers, munten, enz.**
 - (3) **Stel de accu niet bloot aan water of regen. Kortsluiting van de accu kan leiden tot een hoge stroomsterkte, oververhitting, mogelijke brandwonden en zelfs een defect.**
6. **Bewaar het gereedschap en de accu niet op plaatsen waar de temperatuur kan oplopen tot 50 °C of hoger.**
7. **Werp de accu niet in een vuur, zelfs niet als deze al ernstig beschadigd of helemaal versleten is. De accu kan in een vuur exploderen.**
8. **Wees voorzichtig dat u de accu niet laat vallen of ergens tegenaan stoot.**
9. **Gebruik nooit een beschadigde accu.**
10. **Neem de plaatselijke regelgeving met betrekking tot het weggoien van de accu in acht.**

BEWAAR DEZE INSTRUCTIES.

Tips voor een lange levensduur van de accu

1. **Laad de accu op voordat deze volledig leeg is. Wanneer u merkt dat het gereedschap minder vermogen heeft, stopt u met het gebruik ervan en laadt u eerst de accu op.**
2. **Laad nooit een volledig opgeladen accu op. Te lang opladen verkort de levensduur van de accu.**
3. **Laad de accu op bij een omgevingstemperatuur van 10 °C tot 40 °C. Laat een warme accu eerst afkoelen voordat u deze oplaadt.**
4. **Als de accu gedurende een lange tijd (meer dan zes maanden) niet gebruikt, laadt u deze eerst op alvorens deze te gebruiken.**

BESCHRIJVING VAN DE FUNCTIES

⚠ LET OP:

- Zorg ervoor dat het gereedschap is uitgeschakeld en dat de accu is verwijderd voordat u de werking van het gereedschap aanpast of controleert.

De accu aanbrengen en verwijderen (zie afb. 1)

⚠ LET OP:

- Schakel het gereedschap altijd uit voordat u de accu aanbrengt of verwijdert.

- **Houd het gereedschap en de accu stevig vast tijdens het aanbrengen of verwijderen van de accu.** Als u het gereedschap en de accu niet stevig vasthoudt, kunnen deze uit uw handen glippen en beschadigd raken, of kan persoonlijk letsel worden veroorzaakt.

Om de accu te verwijderen verschuift u de knop aan de voorkant van de accu en schuift u tegelijkertijd de accu eraf.

Om de accu aan te brengen, lijnt u de lip op de accu uit met de groef in de behuizing en duwt u de accu op zijn plaats. Steek de accu zo ver mogelijk erin tot u een klinkgeluid hoort. Als u het rode deel aan de bovenkant van de knop kunt zien, is de accu niet goed aangebracht.

⚠ LET OP:

- Breng de accu altijd helemaal aan totdat het rode deel niet meer zichtbaar is. Als u dit niet doet, kan de accu per ongeluk uit het gereedschap vallen en letsel veroorzaken bij u of anderen in uw omgeving.
- Breng de accu niet met kracht aan. Als de accu niet gemakkelijk erin kan worden geschoven, wordt deze niet goed aangebracht.

Gereedschap-/accubeveiligingssysteem

Het gereedschap is uitgerust met een gereedschap-/accubeveiligingssysteem. Dit systeem schakelt automatisch de voeding naar de motor uit om de levensduur van het gereedschap en de accu te verlengen. Het gereedschap zal tijdens gebruik automatisch stoppen wanneer het gereedschap of de accu zich in een van de volgende omstandigheden bevindt: Onder bepaalde omstandigheden gaan de indicatorlampjes branden (zie afb. 2).

Oververhittingsbeveiliging voor het gereedschap

Wanneer het gereedschap oververhit is, stopt het gereedschap automatisch en knippert het indicatorlampje gedurende ongeveer 60 seconden. In die situatie laat u het gereedschap eerst afkoelen voordat u het gereedschap opnieuw inschakelt.

Oververhittingsbeveiliging voor de accu

Wanneer de accu oververhit is, stopt het gereedschap automatisch en brandt het accu-indicatorlampje gedurende ongeveer 60 seconden. Het gereedschap start niet meer, ook niet wanneer de trekker wordt ingeknepen. In die situatie laat u de accu eerst afkoelen voordat u het gereedschap opnieuw inschakelt.

OPMERKING:

De oververhittingsbeveiliging van de accu werkt alleen met een accu waarop het ster-merkteken staat (zie afb. 3).

Beveiliging tegen te ver ontladen

Als de resterende acculading laag is, knippert het indicatorlampje. Bij verder gebruik stopt het gereedschap en brandt het indicatorlampje gedurende ongeveer 60 seconden. In die situatie laadt u de accu op.

Aanduiding van de resterende acculading

(Alleen voor accu's met een "B" aan het einde van het modelnummer.) (zie afb. 4)

Druk op de testknop op de accu om de resterende accucapaciteit af te lezen. De indicatorlampjes branden gedurende enkele seconden.

Indicatorlampjes			Resterende acculading
Brandt	Uit	Knippert	
■	■	■	75% tot 100%
■	■	■	50% tot 75%
■	□	□	25% tot 50%
■	□	□	0% tot 25%
▬	□	□	Laad de accu op.
■	□	□	Er kan een storing in de accu zijn opgetreden.
□	□	■	

015658

OPMERKING:

- Afhankelijk van de gebruiksomstandigheden en de omgevingstemperatuur, is het mogelijk dat de aangegeven acculading verschilt van de werkelijke acculading.

De trekvergrendeling gebruiken

⚠ LET OP:

- Als u het gereedschap niet gebruikt of klaar bent met het gebruik ervan, vergrendelt u altijd de trekker met de trekvergrendeling (zie afb. 5).

Het gereedschap is uitgerust met een trekvergrendeling om ongelukken te voorkomen door per ongeluk bedienen. De trekvergrendeling zorgt ervoor dat de trekker niet kan bewegen zodat het gereedschap niet kan schieten.

Om de trekker te vergrendelen, zet u de vergrendelknop in de stand "LOCK".

Als u wilt nagelen, zet u de vergrendelknop in de stand "FREE". Als het gereedschap niet in gebruik is, zet u de vergrendelknop altijd in de stand "LOCK" en haalt u de accu van het gereedschap af.

De nagelfunctie kiezen (zie afb. 6)

Het gereedschap heeft twee verschillende nagelfuncties. Selecteer de gewenste nagelfunctie met de functiekeuzeknop. Voor meer informatie leest u de tekst onder "BEDIENING".

Onderbroken nagelen (onderbroken functie)

Deze functie is geschikt voor voorzichtig en nauwkeurig nagelen.

Ononderbroken/onderbroken nagelen (ononderbroken functie)

Wanneer het gereedschap in deze functie staat, kunt u kiezen voor ononderbroken of onderbroken nagelen overeenkomstig de bediening van de trekker.

De nageldiepte instellen

⚠ WAARSCHUWING:

- Zorg er altijd voor dat uw vinger niet op de trekker is geplaatst en dat de accu en nagels zijn verwijderd (zie afb. 7).

Voor een geringere nageldiepte, draait u de stelknop in de richting A, zoals aangegeven in de afbeelding. Voor een grotere nageldiepte, draait u de stelknop in de richting B. Draai de stelknop niet te ver omdat de stelknop dan vast kan komen te zitten.

De lamp inschakelen

⚠ LET OP:

- Kijk niet rechtstreeks in het licht of naar de bron van de lamp (zie afb. 8).

Om de lamp in te schakelen, trekt u aan de trekker of plaatst u de contactschoen tegen het werkstuk. Laat de trekker los of haal de contactschoen van het werkstuk af om de lamp uit te schakelen.

De lamp gaat uit 10 seconden nadat de trekker is losgelaten of de contactschoen van het werkstuk is afgehaald.

OPMERKING:

- Gebruik een doek om het vuil van de lens van de lamp te vegen. Wees voorzichtig de lens van de lamp niet te bekassen om de lichtopbrengst niet te verlagen.
- Zelfs als de lamp brandt terwijl de resterende acculading gering is, kan het voorkomen dat het nagelpistool geen nagels schiet. Als dat gebeurt, moet u de accu opladen.

DE ONDERDELEN MONTEREN

⚠ LET OP:

- Zorg er altijd voor dat uw vinger niet op de trekker is geplaatst en dat de accu en nagels zijn verwijderd voordat u enige werkzaamheden aan het nagelpistool gaat uitvoeren.

Nagels laden en verwijderen

⚠ LET OP:

- Zorg er altijd voor dat uw vinger niet op de trekker is geplaatst en dat de accu is verwijderd voordat u nagels laadt.
- Schuif niet abrupt met de schuif van het volgeladen magazijn van het nagelpistool. Als u per ongeluk nagels laat vallen, met name wanneer u op grote hoogte werkt, kan dat leiden tot persoonlijk letsel.
- Laad de nagels in de juiste richting. Door in de verkeerde richting te laden, kan slijtage van de stoter en beschadiging van andere onderdelen worden veroorzaakt.
- Gebruik geen misvormde nagels. Gebruik nagels die in deze gebruiksaanwijzing worden aangegeven. Het gebruik van andere nagels dan die zijn aangegeven kan ertoe leiden dat nagels vastlopen en het nagelpistool defect raakt.

Druk op de vergrendelhandel en open de schuif van het magazijn (zie afb. 9).

Plaats de strip nagels zodanig dat de punt van de nagels de onderkant van de sleuf van het magazijn raakt, en schuif de strip nagels in de richting van de schietmond.

Schuif de schuif van het magazijn terug in zijn oorspronkelijke stand tot de vergrendelhendel vergrendelt.

Om de nagels te verwijderen, drukt u op de vergrendelhendel en schuift u de schuif van het magazijn. Haal de nagels uit de sleuf van het magazijn (zie afb. 10).

Neusadapter

LET OP:

- Zorg er altijd voor dat uw vinger niet op de trekker is geplaatst en dat de accu en nagels zijn verwijderd voordat u de neusadapter aanbrengt (zie afb. 11).
- Wanneer u nagels schiet in een te bevestigen materiaal met een snel beschadigd oppervlak, gebruikt u de neusadapter. Om de neusadapter aan te brengen, plaatst u het over de middenplaat zodat het uitsteeksel binnenin de neusadapter past in de sleuf in het deksel van stotergeleider.
- Als u de neusadapter niet gebruikt, bergt u hem op in de houder aan het achteruiteinde van de schuif van het magazijn zodat hij niet kwijtraakt. Er kunnen in totaal twee neusadapters worden bevestigd.

Haak

LET OP:

- Zorg er altijd voor dat uw vinger niet op de trekker is geplaatst en dat de accu en nagels zijn verwijderd voordat u de haak gebruikt.
 - Hang de haak niet aan uw broekriem. Als u het nagelpistool laat vallen, bijvoorbeeld doordat de haak per ongeluk verschuift, kunnen per ongeluk nagels worden geschoten en persoonlijk letsel worden veroorzaakt (zie afb. 12).
- De haak is handig om het gereedschap tijdelijk aan op te hangen. Deze kan aan beide kanten van het gereedschap worden bevestigd.
- U bevestigt de haak door deze in een groef in de behuizing van het gereedschap te steken en vast te zetten met een schroef. Om de haak te verwijderen, draait u de schroef los en haalt u de haak van het gereedschap af (zie afb. 13).

Opbergplaats van de inbussleutel (zie afb. 14)

Wanneer u de inbussleutel niet gebruikt, bergt u deze op de plaats aangegeven in de afbeelding op, om te voorkomen dat deze wordt verloren.

BEDIENING

Werking van de trekker controleren

LET OP:

- Controleer of de trekker goed werkt vóór ieder gebruik. Als u de hieronder beschreven problemen tegenkomt, vraagt u een erkend Makita-servicecentrum het gereedschap te repareren.
- Controleer altijd, voordat u de accu op het gereedschap aanbrengt, of de trekker op de juiste manier schakelt en weer terugkeert naar de uit-stand nadat deze is losgelaten.

Het gereedschap mag niet in werking treden wanneer alleen de trekker wordt ingeknepen of alleen de contactschoen tegen het werkstuk wordt gedrukt.

Nagelen

LET OP:

- Druk altijd eerst de contactschoen tegen het werkstuk en knijp daarna de trekker in.
- Selecteer de nagelfunctie door op de functiekeuzeknop te drukken zoals beschreven onder "De nagelfunctie kiezen".

Onderbroken nagelen (onderbroken functie) (zie afb. 15)

Om een nagel te schieten, zet u de vergrendelknop in de stand "FREE". U kunt ook eerst de contactschoen tegen het werkstuk drukken en daarna de trekker inknippen. Laat de trekker los na elke geschoten nagel.

Ononderbroken/onderbroken nagelen (ononderbroken functie) (zie afb. 16)

- Als het gereedschap in de ononderbroken functie staat, kunt u ononderbroken of onderbroken nagelen.
- Om een nagel te schieten, zet u de vergrendelknop in de stand "FREE".
- Voor ononderbroken nagelen, knijpt u eerst de trekker in en drukt u vervolgens de contactschoen tegen het werkstuk. Om de volgende nagel te schieten, hoeft u de trekker niet los te laten.
 - Voor onderbroken nagelen, drukt u eerst de contactschoen tegen het werkstuk en knijpt u vervolgens de trekker in. Om de volgende nagel te schieten, moet u eerst de trekker loslaten.

OPMERKING:

- Dit gereedschap stopt automatisch onder de volgende omstandigheden:
 - Als u de trekker loslaat of de contactschoen van het werkstuk afhaalt voordat het gereedschap helemaal klaar is met de bediening. Knijp in dit geval de trekker nogmaals in tot het gereedschap op standby staat.
 - Als u gedurende ongeveer 5 seconden de trekker ingeknepen houdt of de contactschoen op het werkstuk gedrukt houdt zonder een andere handeling uit te voeren.
- Laat in dat geval de trekker los of haal de contactschoen van het werkstuk af om de werking te herstellen.

Droogschietpreventiemechanisme

Dit gereedschap is uitgerust met een droogschietpreventiemechanisme. Het voorkomt automatisch dat het gereedschap probeert te nagelen terwijl de nagels op zijn. Laad in dat geval nieuwe nagels om de werking te hervatten.

Vastgelopen nagels verwijderen

WAARSCHUWING:

- Zorg er altijd voor dat de trekker losgelaten is en dat de accu en nagels verwijderd zijn voordat u vastgelopen nagels verwijdert.

Verwijder de inbusbouten waarmee de deksel van de stotergeleider is vastgezet met behulp van de inbussleutel.

Haal de vastgelopen nagels uit de nagelgeleidergroef die nu zichtbaar is.

Bevestig het deksel van de stotergeleider met de inbusbouten in de juiste volgorde. Haal de inbusbouten A, B en daarna C aan (zie afb. 17).

OPMERKING:

- Nadat het deksel van de stotergeleider is bevestigd, controleert u altijd of het deksel van de stotergeleider correct werkt. Als het niet correct werkt, verwijdt u de inbusbouten en bevestigt u het deksel van de stotergeleider opnieuw.

Nagels (zie afb. 18)

Wees voorzichtig bij het hanteren van de nagels en de doos ervan. Als de nagels grof behandeld worden, kunnen ze vervorm worden of kan de strip breken, waardoor een slechte nageltoevoer ontstaat.

Voorkom dat nagels worden opgeslagen in een zeer vochtige of warme ruimte of op een plek die is blootgesteld aan direct zonlicht (zie afb. 19).

ONDERHOUD

⚠ LET OP:

- Zorg er altijd voor dat het gereedschap is uitgeschakeld en de accu en nagels zijn verwijderd voordat u een inspectie of onderhoud uitvoert.
- Gebruik nooit benzine, wasbenzine, thinner, alcohol, enz. Dit kan leiden tot verkleuren, vervormen of barsten.

Het magazijn reinigen

Wanneer de aandrukker in het magazijn niet meer soepel beweegt als gevolg van stof, zand, zaagsel of andere vreemde stoffen, reinigt u het magazijn.

Om de schuif van het magazijn te verwijderen, draait u de inbusbout op het magazijn los (zie afb. 20).

Trek de aandrukker uit de schuif van het magazijn en verwijder daarna de aanslag, de bussen en de veren. Na het reinigen, brengt u alle onderdelen weer aan in de schuif van het magazijn. Om ze aan te brengen, volgt u de onderstaande procedure (zie afb. 21):

1. Plaats de grote veer in de schuif van het magazijn.
2. Breng de onderdelen in de juiste volgorde aan op de schuif van het magazijn: eerst de bus, daarna de kleine veer en tenslotte de aanslag.
3. Breng de aandrukker met de andere onderdelen aan op de schuif van het magazijn.

OPMERKING:

- Wanneer u de aandrukker uit de schuif van het magazijn trekt, kunnen de onderdelen in de schuif van het magazijn eruit springen.
- Wanneer u de aandrukker met de andere onderdelen aanbrengt op de schuif van het magazijn, zorgt u voor een kleine ruimte tussen de aandrukker en de bussen.

Om de VEILIGHEID en BETROUWBAARHEID van het gereedschap te handhaven, dienen alle reparaties, onderhoud en afstellingen te worden uitgevoerd door een erkend Makita-servicecentrum, en altijd met

gebruikmaking van originele Makita-
vervangingsonderdelen.

VERKRIJGBARE ACCESSOIRES

⚠ LET OP:

- Deze accessoires of hulpstukken worden aanbevolen voor gebruik met het Makita-gereedschap dat in deze gebruiksaanwijzing wordt beschreven. Het gebruik van andere accessoires of hulpstukken kan gevaar voor persoonlijk letsel opleveren. Gebruik de accessoires of hulpstukken uitsluitend voor de aangegeven gebruiksdoeleinden.

Mocht u meer informatie willen hebben over deze accessoires, dan kunt u contact opnemen met uw plaatselijke Makita-servicecentrum.

- Nagels
- Originele Makita accu en lader
- Veiligheidsbril

OPMERKING:

- Sommige items op de lijst kunnen zijn inbegrepen in de doos van het gereedschap als standaard toebehoren. Zij kunnen van land tot land verschillen.

Geluid

ENG905-1

De typische, A-gewogen geluidsniveaus zijn gemeten volgens EN60745:

Geluidsdrukniveau (L_{pA}): 79 dB (A)

Onzekerheid (K): 3 dB (A)

Het geluidsniveau kan tijdens gebruik hoger worden dan 80 dB (A).

Draag gehoorbescherming.

Trillingen

ENG904-2

De trillingstotaalwaarde is bepaald volgens EN60745:

Trillingsemmissie (a_{h1}): 2,5 m/s² of minder

Onzekerheid (K): 1,5 m/s²

ENG901-1

- De opgegeven trillingsemmissiewaarde is gemeten volgens de standaardtestmethode en kan worden gebruikt om dit gereedschap te vergelijken met andere gereedschappen.
- De opgegeven trillingsemmissiewaarde kan ook worden gebruikt voor een beoordeling vooraf van de blootstelling.

⚠ WAARSCHUWING:

- De trillingsemmissie tijdens het gebruik van het elektrische gereedschap in de praktijk kan verschillen van de opgegeven trillingsemmissiewaarde afhankelijk van de manier waarop het gereedschap wordt gebruikt.
- Zorg ervoor dat veiligheidsmaatregelen worden getroffen ter bescherming van de operator die zijn gebaseerd op een schatting van de blootstelling onder praktijkomstandigheden (rekening houdend met alle fasen van de bedrijfscyclus, zoals de tijdsduur gedurende welke het gereedschap is uitgeschakeld en stationair draait, naast de ingeschakelde tijdsduur).

Alleen voor Europese landen
EU-verklaring van conformiteit

ENH003-15

Makita verklaart dat de volgende machine(s):

Aanduiding van de machine:

Accunagelpistool

Modelnr./Type: DBN500

Voldoen aan de volgende Europese richtlijnen:

2006/42/EG

Deze zijn gefabriceerd in overeenstemming met de
volgende normen of genormaliseerde documenten:

EN60745, EN792

Het technische bestand volgens 2006/42/EG is
verkrijgbaar bij:

Makita, Jan-Baptist Vinkstraat 2, 3070, België

28. 4. 2015



Yasushi Fukaya
Directeur

Makita, Jan-Baptist Vinkstraat 2, 3070, België

ESPAÑOL (Instrucciones originales)

Explicación de los dibujos

1. Indicador rojo
2. Botón
3. Cartucho de la batería
4. Indicador de batería
5. Marca de estrella
6. Luces indicadoras
7. Botón de comprobación
8. Bloqueo del disparador
9. Pulsar hasta la posición de bloqueo (Lock)
10. Pulsar hasta la posición de liberación (Free)
11. Botón de selección de modo
12. Modo secuencial
13. Modo continuo
14. Regulador
15. Lámpara
16. Disparador
17. Resorte de empuje (elemento de contacto)
18. Palanca de bloqueo
19. Compuerta deslizante
20. Resorte de empuje
21. Depósito alimentador
22. Clavos
23. Adaptador de boquilla
24. Saliente
25. Placa central
26. Soporte
27. Ranura
28. Gancho
29. Tornillo
30. Llave hexagonal
31. Coloque el elemento de contacto contra la pieza de trabajo.
32. Tire del disparador.
33. Perno hexagonal A
34. Perno hexagonal B
35. Perno hexagonal C
36. Cubierta del resorte de empuje
37. Clavo
38. Humedad
39. Calor
40. Perno hexagonal
41. Empujador
42. Camisa
43. Muelle (grande)
44. Muelle (pequeño)
45. Tope

ESPECIFICACIONES

Modelo	DBN500	
Tamaño del clavo	18Ga x 15, 20, 25, 30, 32, 35, 38, 40, 45, 50 mm	
Capacidad del depósito alimentador de clavos	100 piezas	
Dimensiones (Largo x Ancho x Alto)	294 mm x 97 mm x 318 mm	
Tensión nominal	CC 18 V	
Peso neto	3,3 kg	3,5 kg
Cartucho de la batería estándar	BL1815/BL1815N/BL1820/ BL1820B	BL1830/BL1840/BL1840B/ BL1850/BL1850B



- Debido a nuestro programa continuo de investigación y desarrollo, las especificaciones aquí descritas están sujetas a cambios sin previo aviso.
- Las especificaciones y el cartucho de la batería pueden variar de un país a otro.
- Peso, con el cartucho de la batería, de acuerdo con el procedimiento EPTA 01/2003

Símbolos


END311-1


Se utilizan los siguientes símbolos para el equipo.


Asegúrese de que comprende su significado antes del uso.

  Lea el manual de instrucciones.

  Utilice gafas de seguridad.

 No utilizar en andamios o escaleras de mano.

 Si no está clavando clavos o grapas, mantenga los dedos alejados del disparador para evitar un disparo accidental.

 Sólo para países de la Unión Europea
¡No deseche el aparato eléctrico o la batería junto con los residuos domésticos!

De conformidad con la Directiva Europea sobre residuos de aparatos eléctricos y electrónicos, y sobre baterías y acumuladores y el desecho de baterías y acumuladores y su aplicación de acuerdo con la legislación nacional, la herramienta eléctrica y las baterías y paquetes de baterías cuya vida útil haya llegado a su fin se deberán recoger por separado y trasladar a una planta de reciclaje que cumpla con las exigencias ecológicas.


Uso previsto

ENE073-1

La herramienta está diseñada para el clavado en trabajos en interiores y trabajos en mobiliario.

Advertencias de seguridad generales para herramientas eléctricas

GEA010-1

 **ADVERTENCIA** Lea todas las advertencias de seguridad y todas las instrucciones. La no observancia

de las advertencias y las instrucciones puede provocar descargas eléctricas, incendios y/o lesiones graves.

Guarde todas las advertencias e instrucciones para futuras consultas.

ADVERTENCIAS DE SEGURIDAD DE LA CLAVADORA INALÁMBRICA

GEB117-2

1. **Presuponga siempre que la herramienta contiene clavos.** Un manejo descuidado de la clavadora puede provocar el disparo accidental de clavos y lesiones personales.
2. **No apunte la herramienta hacia usted mismo ni hacia nadie más que esté cerca.** Un disparo accidental descargará un clavo, que provocará lesiones.
3. **No accione la herramienta a menos que la tenga puesta firmemente contra la pieza de trabajo.** Si la herramienta no está en contacto con la pieza de trabajo, el clavo puede desviarse del objetivo.
4. **Desconecte la herramienta del suministro eléctrico cuando se atasque un clavo en la herramienta.** Mientras despeja el atasco del clavo, la clavadora puede activarse accidentalmente si está enchufada.
5. **Tenga mucho cuidado cuando despeje el atasco de un clavo.** El mecanismo puede estar comprimido y el clavo puede salir despedido al intentar despejar el atasco.
6. **No utilice esta clavadora para clavar cables eléctricos.** No está diseñada para la instalación de cables eléctricos, puede dañar el aislamiento de los cables eléctricos y provocar una descarga eléctrica o riesgo de fuego.
7. **Póngase siempre gafas de seguridad o gafas de seguridad con protectores laterales y una careta protectora completa cuando sea necesario.**
8. **Mantenga las manos y pies alejados del área del puerto de expulsión.**
9. **Siga las instrucciones para lubricar y cambiar accesorios.**
10. **Extraiga siempre el cartucho de la batería antes de cargar los clavos, realizar ajustes, inspecciones, mantenimiento o tras finalizar su uso.**
11. **Asegúrese de que no haya nadie cerca antes de su uso. No intente nunca clavar clavos desde el interior y exterior de la pared al mismo tiempo. Los clavos podrían atravesar los materiales y/o salir disparados, presentando un grave peligro.**
12. **Observe el suelo donde pisa y mantenga su equilibrio con la herramienta. Cuando trabaje en una ubicación elevada asegúrese de que nadie se encuentre debajo.**
13. **No utilice nunca herramientas para clavar marcadas con el símbolo de "No utilizar en andamios o escaleras de mano" para aplicaciones específicas, por ejemplo:**
 - Cuando el cambio de un lugar de clavado a otro implique la utilización de andamios, escaleras,

escaleras de mano, o construcciones en forma de escalera, por ejemplo, listones de techumbres;

- Cierre de cajas o cajones;
- Colocación de sistemas de seguridad de transporte, por ejemplo, en vehículos y vagones.

14. **Compruebe las paredes, techos, suelos, techumbres y elementos similares con cuidado para evitar descargas eléctricas, fugas de gas, explosiones, etc., ocasionadas por la perforación de cables con tensión, conductos o tuberías de gas.**
15. **Utilice solamente los clavos o las grapas especificados en este manual. La utilización de otros clavos o grapas puede ocasionar un mal funcionamiento de la herramienta.**
16. **No manipule la herramienta ni intente utilizarla para ningún otro fin que no sea clavar clavos.**
17. **No utilice la herramienta sin clavos. Se acortará la vida útil de la herramienta.**
18. **Pare inmediatamente la operación de clavado si nota algo incorrecto o fuera de lo normal en la herramienta.**
19. **Nunca clave clavos en materiales que puedan permitir que el clavo los perforo y salga despedido como un proyectil.**
20. **Nunca accione el interruptor disparador y la palanca de seguridad al mismo tiempo hasta que esté preparado para clavar piezas de trabajo. Deje que la pieza de trabajo ejerza presión sobre la palanca de seguridad. Nunca impida su funcionamiento fijando la palanca de seguridad hacia atrás ni tirando de ella con la mano.**
21. **No manipule nunca la palanca de seguridad. Compruebe el funcionamiento correcto de la palanca de seguridad frecuentemente.**
22. **Extraiga siempre los clavos de la herramienta cuando no la utilice.**

GUARDE ESTAS INSTRUCCIONES.

⚠ ADVERTENCIA:

NO deje que la comodidad o la familiaridad con el producto (a base de utilizarlo repetidamente) sustituyan la estricta observancia de las normas de seguridad del producto en cuestión. El **MAL USO** o la no observancia de las normas de seguridad expuestas en este manual de instrucciones pueden ocasionar graves daños corporales.

INSTRUCCIONES DE SEGURIDAD IMPORTANTES

ENC007-9

PARA EL CARTUCHO DE LA BATERÍA

1. **Antes de utilizar el cartucho de la batería, lea todas las instrucciones y referencias de precaución que se encuentran en (1) el cargador de baterías, (2) la batería y (3) el producto que utiliza la batería.**
2. **No desmonte el cartucho de la batería.**

3. Si el tiempo de funcionamiento es excesivamente corto, deje de utilizar la herramienta de inmediato. De lo contrario, existe el riesgo de sobrecalentamiento, quemaduras e incluso explosión.
4. Si se produce contacto ocular con electrolito, enjuáguese los ojos con agua limpia y acuda de urgencia al médico. Corre el riesgo de perder la visión.
5. No cortocircuite el cartucho de la batería:
 - (1) No toque los terminales con material conductor.
 - (2) Evite guardar el cartucho de la batería en un recipiente con otros objetos metálicos, como clavos, monedas, etc.
 - (3) No exponga el cartucho de la batería al agua o a la lluvia.

Un cortocircuito puede provocar un elevado flujo de corriente, sobrecalentamiento, quemaduras o incluso una avería.
6. No almacene la herramienta ni el cartucho de la batería en lugares donde la temperatura supere los 50 °C (122 °F).
7. No queme el cartucho de la batería aunque esté gravemente dañado o completamente gastado. El cartucho de la batería puede explotar si entra en contacto con fuego.
8. Procure que la batería no sufra golpes ni caídas.
9. No utilice una batería dañada.
10. Siga las normativas locales relativas al desecho de la batería.

GUARDE ESTAS INSTRUCCIONES.

Consejos para conseguir una mayor duración de la batería

1. Cargue la batería antes de que se descargue por completo. Cuando observe que la herramienta tiene menos potencia, deje de utilizarla y cargue el cartucho de la batería.
2. No recargue nunca un cartucho de batería completamente cargado. La sobrecarga acorta la vida útil de la batería.
3. Cargue el cartucho de la batería a una temperatura ambiente que oscile entre 10 °C y 40 °C (50 °F - 104 °F). Antes de cargar un cartucho de batería caliente, deje que se enfríe.
4. Cargue el cartucho de la batería si no lo ha utilizado durante un período prolongado (más de seis meses).

DESCRIPCIÓN DEL FUNCIONAMIENTO

⚠ PRECAUCIÓN:

- Antes de ajustar o de comprobar la herramienta, asegúrese siempre de que está apagada y de que el cartucho de la batería ha sido extraída.

Instalación o extracción del cartucho de la batería (Fig. 1)

⚠ PRECAUCIÓN:

- Apague siempre la herramienta antes de instalar o quitar el cartucho de la batería.
- Sujete la herramienta y el cartucho de la batería firmemente cuando instale o extraiga el cartucho de la batería. Si no sujeta la herramienta y el cartucho de la batería firmemente, pueden resbalar de sus manos y pueden producirse daños en la herramienta o el cartucho de la batería, así como lesiones personales.

Para quitar el cartucho de la batería, mantenga pulsado el botón de la parte frontal del cartucho y retírelo.

Para instalar el cartucho de la batería, alinee la lengüeta situada en el cartucho de la batería con la ranura del chasis e insértelo. Insértelo completamente hasta que quede firmemente encajado con un clic. Si puede ver el indicador rojo de la zona superior del botón, significa que el cartucho no está encajado completamente.

⚠ PRECAUCIÓN:

- Instale siempre el cartucho de la batería completamente hasta que el indicador rojo quede oculto. De lo contrario, el cartucho puede desprenderse accidentalmente de la herramienta y causar lesiones al operario o a alguna persona que se encuentre cerca.
- No presione excesivamente el cartucho de la batería para instalarlo. Si el cartucho no entra con suavidad, significa que no lo está instalando correctamente.

Sistema de protección de la herramienta/batería

La herramienta está equipada con un sistema de protección de la herramienta/batería. Este sistema corta automáticamente la alimentación al motor para ampliar la duración de la herramienta y la batería.

El funcionamiento de la herramienta se detendrá automáticamente si la herramienta o la batería están sometidas a las siguientes condiciones: En algunas condiciones, los indicadores se encienden. (Fig. 2)

Protección contra el sobrecalentamiento de la herramienta

Cuando la herramienta se sobrecaliente, se detendrá automáticamente y el indicador de sobrecalentamiento parpadeará durante unos 60 segundos. En ese caso, deje que la herramienta se enfríe antes de volver a encenderla.

Protección contra el sobrecalentamiento de la batería

Cuando la batería se sobrecaliente, se detendrá automáticamente y el indicador de la batería se encenderá durante unos 60 segundos. La herramienta no se enciende aunque se pulse el interruptor disparador. En ese caso, deje que la batería se enfríe antes de volver a encender la herramienta.

NOTA:

La protección contra el sobrecalentamiento de la batería solamente funciona con un cartucho de la batería que tenga una marca de estrella. (Fig. 3)

Protección contra la descarga excesiva

Cuando la capacidad restante de la batería sea baja, la lámpara indicadora parpadeará. Si se continúa con el uso, la herramienta se detiene y las lámparas indicadoras se encienden unos 60 segundos. En ese caso, cargue el cartucho de la batería.

Indicación de la capacidad restante de la batería

(Solo para cartuchos de la batería con "B" al final del número de modelo.) (Fig. 4)

Pulse el botón de comprobación del cartucho de la batería para indicar la capacidad restante de la batería. Las luces indicadoras se encienden durante unos segundos.

Luces indicadoras			Capacidad restante
Iluminada	Apagado	Parpadea	
			75% a 100%
			50% a 75%
			25% a 50%
			0% a 25%
			Cargue la batería.
			Es posible que la batería se haya averiado.

015658

NOTA:

- En función de las condiciones de uso y de la temperatura ambiente, la indicación puede diferir ligeramente de la capacidad real.

Uso del bloqueo del disparador

⚠ PRECAUCIÓN:

- Cuando no se utilice o después de utilizar la herramienta, bloquee siempre el disparador con el bloqueo del disparador. (Fig. 5)

La herramienta tiene un bloqueo del disparador para evitar accidentes causados por una puesta en marcha accidental. El bloqueo del disparador hace que el disparador no se pueda mover e impide que se accione la herramienta.

Para bloquear el disparador, ajuste el botón de bloqueo hasta la posición "LOCK".

Antes de empezar a clavar, ajuste el botón de bloqueo en la posición "FREE". Cuando no se utilice, siempre se debe ajustar en la posición "LOCK" y se debe extraer el cartucho de la batería de la herramienta.

Selección del modo de clavado (Fig. 6)

La herramienta tiene dos modos de clavado diferentes. Seleccione el clavado que desee mediante el botón de

selección de modo. Para obtener información más detallada, consulte la sección "FUNCIONAMIENTO".

Clavado intermitente (modo secuencial)

Este modo es ideal para clavar clavos de forma cuidadosa y precisa.

Clavado intermitente/continuo (modo continuo)

Cuando la herramienta se ajuste en este modo, puede elegir el clavado intermitente o continuo mediante secuencias de accionamiento del disparador.

Ajuste de la profundidad de clavado

⚠ ADVERTENCIA:

- Asegúrese siempre de que sus dedos no estén en el disparador y de que hayan extraído el cartucho de la batería y los clavos. (Fig. 7)

Para obtener una menor profundidad, gire el regulador en la dirección A que se muestra en la figura. Para obtener una mayor profundidad, gire el regulador en la dirección B.

No gire el regulador demasiado, ya que se puede atascar.

Encendido de la lámpara

⚠ PRECAUCIÓN:

- No mire hacia la luz ni mire directamente hacia la fuente de luz. (Fig. 8)

Para encender la lámpara, tire del disparador o coloque el elemento de contacto contra la pieza de trabajo. Suelte el disparador o el elemento de contacto para apagarla.

La lámpara se apagará 10 segundos después de soltar el disparador o el elemento de contacto de la pieza de trabajo.

NOTA:

- Utilice un paño seco para limpiar la suciedad del cristal de la lámpara. Procure no rayar el cristal de la lámpara, puesto que puede disminuir el grado de iluminación.
- Aunque la lámpara se encienda cuando la carga de la batería sea baja, es posible que la clavadora no pueda clavar clavos. En ese caso, cargue el cartucho de la batería.

MONTAJE

⚠ PRECAUCIÓN:

- Asegúrese siempre de que sus dedos no estén sobre el disparador o la palanca y que el cartucho de la batería y los clavos se hayan extraído antes de realizar cualquier trabajo en la clavadora.

Carga o descarga de los clavos

⚠ PRECAUCIÓN:

- Asegúrese siempre de que sus dedos no estén en el disparador y de que hayan extraído el cartucho de la batería ante de cargar los clavos.
- No deslice bruscamente la compuerta deslizante de la clavadora cargada con clavos. La caída accidental de clavos, especialmente cuando se trabaja en ubicaciones elevadas puede provocar lesiones personales.
- Cargue los clavos en la dirección correcta. La carga en la dirección incorrecta puede provocar un desgaste

FUNCIONAMIENTO

Inspección del funcionamiento del disparador

⚠ PRECAUCIÓN:

- Asegúrese de que el funcionamiento del disparador sea correcto antes de cada operación. Si encuentra los problemas que se describen a continuación, póngase en contacto con los centros de servicio autorizados de Makita para las reparaciones.
- Antes de instalar el cartucho de la batería en la herramienta, asegúrese siempre de que el interruptor disparador funciona como es debido y que vuelve a la posición "OFF" (apagado) al soltarlo.

La herramienta no debe funcionar solo cuando se pulsa el disparador o cuando se coloca el elemento de contacto contra la pieza de trabajo.

Clavado de clavos

⚠ PRECAUCIÓN:

- Asegúrese siempre de colocar el elemento de contacto contra la pieza de trabajo en primer lugar, antes de tirar del disparador.

Seleccione el modo de clavado pulsando el botón de selección de modo tal y como se menciona en la sección "Selección del modo de clavado".

Clavado intermitente (modo secuencial) (Fig. 15)

Para clavar, ajuste el botón de bloqueo en la posición "FREE". Coloque el elemento de contacto contra la pieza de trabajo y tire del disparador. Suelte el disparador tras cada operación.

Clavado intermitente/continuo (modo continuo) (Fig. 16)

Cuando la herramienta se ajuste en modo continuo, podrá realizar el clavado intermitente o continuo. Para clavar, ajuste el botón de bloqueo en la posición "FREE".

- Para el clavado continuo, tire del disparador primero y después coloque el elemento de contacto contra la pieza de trabajo. Para la siguiente actuación, no es necesario que suelte el disparador.
- Para el clavado intermitente, coloque el elemento de contacto contra la pieza de trabajo y tire del disparador. Para la siguiente actuación, primero debe restablecer el disparador.

NOTA:

- Esta herramienta se detiene automáticamente bajo las siguientes condiciones:
 - Si suelta el disparador o separa el elemento de contacto de la pieza de trabajo antes de que la herramienta complete la operación. En ese caso, vuelva a tirar del disparador hasta que la herramienta esté en estado de espera.
 - Cuando mantenga pulsado el disparador o el elemento de contacto durante unos 5 segundos sin realizar ninguna otra acción. En ese caso, suelte el disparador o separe el elemento de contacto de la pieza de trabajo para reiniciar la operación.

prematureo, la rotura del resorte de empuje y daños en otras piezas.

- No utilice clavos que estén conectados y deformados. Utilice los clavos especificados en este manual. El uso de clavos que no sean los especificados puede provocar atascos de clavos y la rotura de la clavadora.

Pulse la palanca de bloqueo y abra la compuerta

deslizante del depósito alimentador. (Fig. 9)

Ajuste la tira de clavos de forma que las puntas de los clavos toquen la parte inferior de la apertura del depósito alimentador y deslice la tira de clavos hacia la apertura de disparo.

Devuelva la compuerta deslizante a la posición original hasta que la palanca de bloqueo la bloquee.

Para retirar los clavos, pulse la palanca de bloqueo y deslice la compuerta deslizante. Retire los clavos de la apertura del depósito alimentador. (Fig. 10)

Adaptador de boquilla

⚠ PRECAUCIÓN:

- Asegúrese siempre de que sus dedos no estén en el disparador y de que hayan extraído el cartucho de la batería y los clavos antes de instalar el adaptador de boquilla. (Fig. 11)

Cuando dispare clavos sobre materiales con superficies que se estropean fácilmente, utilice el adaptador de boquilla. Para instalar el adaptador de boquilla, colóquelo sobre la placa central para que el saliente dentro del adaptador de boquilla encaje en la apertura de la cubierta del resorte de empuje.

Cuando no lo utilice, guarde el adaptador de boquilla en el soporte de la parte posterior de la compuerta deslizante para evitar que se pierda. Se puede almacenar un total de dos adaptadores de boquilla.

Gancho

⚠ PRECAUCIÓN:

- Asegúrese siempre de que sus dedos no estén en el disparador y de que hayan extraído el cartucho de la batería y los clavos antes de utilizar el gancho.
- No cuelgue el gancho del cinturón. Si la clavadora se cae, lo que puede suceder si el gancho se sale de su lugar accidentalmente, se puede provocar un disparo accidental y lesiones personales. (Fig. 12)

El gancho es útil para colgar la herramienta. Puede instalarse en cualquier lado de la herramienta.

Para instalar el gancho, insértelo en una de las ranuras situadas a ambos lados de la herramienta y, a continuación, fíjelo con un tornillo. Para extraerlo, afloje el tornillo y quítelo. (Fig. 13)

Almacenamiento de la llave hexagonal (Fig. 14)

Cuando no la utilice, guarde la llave hexagonal como se muestra en la figura para evitar que se pierda.

Mecanismo contra el disparo en vacío

Esta herramienta está equipada con un mecanismo que impide el disparo en vacío. Detiene automáticamente el clavado de clavos cuando estos se acaban. En ese caso, cargue más clavos para reanudar la operación.

Eliminación de clavos atascados

⚠ ADVERTENCIA:

- Asegúrese siempre de que el disparador se haya soltado y que el cartucho de la batería y los clavos se hayan extraído antes de retirar los clavos atascados.

Retire los pernos hexagonales que fijan la cubierta del resorte de empuje con la llave hexagonal.

Retire los clavos atascados de la ranura de la guía de clavos que queda a la vista.

Fije la cubierta del resorte de empuje con los pernos hexagonales en el orden correcto. Apriete el perno hexagonal A, B y después C. (Fig. 17)

NOTA:

- Tras fijar la cubierta del resorte de empuje, asegúrese siempre de que la cubierta del resorte de empuje actúe correctamente. Si no actúa correctamente, retire los pernos hexagonales y vuelva a instalar la cubierta del resorte de empuje.

Clavos (Fig. 18)

Maneje los clavos y sus cajas con cuidado. Si los clavos han sido manejados bruscamente, podrán estar deformados o sus conectores rotos y ocasionar una deficiente alimentación de clavos.

Evite almacenar clavos en un lugar muy húmedo o caluroso o en un lugar expuesto a la luz solar directa. (Fig. 19)

MANTENIMIENTO

⚠ PRECAUCIÓN:

- Asegúrese de apagar siempre la herramienta y extraer el cartucho de la batería y los clavos antes de intentar realizar cualquier trabajo de inspección o mantenimiento en ella.
- Nunca utilice gasolina, benceno, disolvente, alcohol o un producto similar. Se puede provocar una decoloración, una deformación o grietas.

Limpieza del depósito alimentador

Cuando el empujador del depósito alimentador no se mueva suavemente a causa de suciedad, arenas, virutas u otras materias extrañas, limpie el depósito alimentador. Para retirar la compuerta deslizante, afloje el perno hexagonal del depósito alimentador. (Fig. 20)

Tire del empujador desde la compuerta deslizante y retire el tope, las camisas y los muelles.

Tras la limpieza, instale todas las piezas en la compuerta deslizante. Para instalarlas, siga este procedimiento. (Fig. 21)

1. Instale el muelle grande en la compuerta deslizante.
2. Instale las piezas en el empujador en el orden correcto, camisa, muelle pequeño y después tope.
3. Instale el empujador con las otras piezas en la compuerta deslizante.

NOTA:

- Cuando extraiga el empujador de la compuerta deslizante, las piezas de la compuerta deslizante pueden salir despedidas.
 - Cuando instale el empujador con las otras piezas en la compuerta deslizante, asegúrese de que haya un pequeño espacio entre el empujador y las camisas.
- Para mantener la SEGURIDAD y la FIABILIDAD del producto, las reparaciones y cualquier otra tarea de mantenimiento o ajuste deberán ser realizadas en centros de servicio autorizados por Makita, utilizando siempre repuestos Makita.

ACCESORIOS OPCIONALES

⚠ PRECAUCIÓN:

- Se recomienda el uso de estos accesorios o complementos con la herramienta Makita especificada en este manual. El uso de otros accesorios o complementos puede conllevar el riesgo de ocasionar daños corporales. Utilice los accesorios o complementos solamente para su fin establecido.

Si necesita cualquier ayuda para obtener más información relativa a estos accesorios, pregunte a su centro de servicio Makita local.

- Clavos
- Batería y cargador originales de Makita
- Gafas de seguridad

NOTA:

- Algunos elementos de la lista se pueden incluir en el paquete de la herramienta como accesorios estándar. Pueden ser diferentes de un país a otro.

Ruido

ENG905-1

Niveles típicos de ruido ponderado A determinados conforme a EN60745:

Nivel de presión de sonido (L_{pA}): 79 dB (A)

Incertidumbre (K): 3 dB (A)

El nivel de ruido durante el trabajo puede superar los 80 dB (A).

Utilice protección para los oídos.

Vibración

ENG904-2

Valor de total de vibraciones determinado de acuerdo con EN60745:

Emisión de vibraciones (a_h): 2,5 m/s² o menos

Incertidumbre (K): 1,5 m/s²

ENG901-1

- El valor de emisión de vibraciones se ha medido de acuerdo con el método de prueba estándar y se puede utilizar para comparar herramientas.
- El valor de emisión de vibraciones declarado también se puede usar en una evaluación preliminar de la exposición.

⚠ ADVERTENCIA:

- La emisión de vibraciones durante el uso de la herramienta eléctrica puede diferir del valor de emisiones declarado, dependiendo de las formas en que se utiliza la herramienta.
- Asegúrese de identificar las mediciones correctas para proteger al operario, que se basan en una estimación de la exposición en condiciones de uso reales (teniendo en cuenta todas las partes del ciclo de operaciones, como los momentos en los que la

herramienta está apagada y cuando funciona al ralenti además del tiempo en que está activado el interruptor).

Solo para países europeos

ENH003-15

Declaración de conformidad de la CE

Makita declara que las siguientes máquinas:

Designación de la máquina:

Clavadora inalámbrica

Nº de modelo/Tipo: DBN500

Cumplen con las siguientes Directivas europeas:

2006/42/CE

Se han fabricado de acuerdo con los siguientes estándares o documentos estandarizados:

EN60745, EN792

El archivo técnico de acuerdo con 2006/42/CE está disponible en:

Makita, Jan-Baptist Vinkstraat 2, 3070, Bélgica

28. 4. 2015



Yasushi Fukaya
Director

Makita, Jan-Baptist Vinkstraat 2, 3070, Bélgica

PORTUGUÊS (Instruções de origem)

Descrição geral

- | | | |
|-------------------------------|---|--------------------------|
| 1. Indicador vermelho | 17. Guia (elemento de contacto) | 32. Prima o gatilho. |
| 2. Botão | 18. Alavanca de bloqueio | 33. Parafuso sextavado A |
| 3. Bateria | 19. Porta deslizante | 34. Parafuso sextavado B |
| 4. Indicador da bateria | 20. Guia | 35. Parafuso sextavado C |
| 5. Marca de estrela | 21. Carregador | 36. Tampa da guia |
| 6. Lâmpadas indicadoras | 22. Pregos | 37. Prego |
| 7. Botão de verificação | 23. Adaptador de ponta | 38. Húmido |
| 8. Bloqueio do gatilho | 24. Protrusão | 39. Quente |
| 9. Prima para a posição Lock | 25. Placa central | 40. Parafuso sextavado |
| 10. Prima para a posição Free | 26. Suporte | 41. Impulsor |
| 11. Botão de selecção de modo | 27. Encaixe | 42. Manga |
| 12. Modo sequencial | 28. Gancho | 43. Mola (grande) |
| 13. Modo contínuo | 29. Parafuso | 44. Mola (pequena) |
| 14. Regulador | 30. Chave sextavada | 45. Batente |
| 15. Lâmpada | 31. Coloque o elemento de contacto contra a peça de trabalho. | |
| 16. Gatilho | | |

ESPECIFICAÇÕES

Modelo	DBN500	
Tamanho dos pregos	18Ga x 15, 20, 25, 30, 32, 35, 38, 40, 45, 50 mm	
Capacidade do carregador de pregos	100 unidades	
Dimensões (C x L x A)	294 mm x 97 mm x 318 mm	
Tensão nominal	C.C. 18 V	
Peso líquido	3,3 kg	3,5 kg
Baterias padrão	BL1815/BL1815N/BL1820/ BL1820B	BL1830/BL1840/BL1840B/ BL1850/BL1850B

- Devido à pesquisa e desenvolvimento constantes, estas especificações estão sujeitas a alteração sem aviso prévio.
- As especificações e o cartucho da bateria podem ser diferentes consoante o país.
- Peso, com a bateria, de acordo com o procedimento EPTA de 01/2003


Símbolos

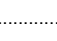
END311-1

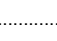
Descrição dos símbolos utilizados no equipamento.

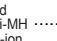
Certifique-se de quem compreende o seu significado, antes da utilização.

 Leia o manual de instruções.

 Use óculos de segurança.

 Não utilizar em andaimes ou escadas.

 Manter os dedos afastados do gatilho quando não estiver a pregar de forma a evitar disparos acidentais.

 Apenas para países da UE
Não deite equipamentos eléctricos ou a bateria no lixo doméstico!
De acordo com as directivas europeias sobre ferramentas eléctricas e electrónicas usadas e baterias, acumuladores e baterias usadas e a sua aplicação para as leis nacionais, as ferramentas eléctricas,

as baterias e conjuntos usados devem ser recolhidos em separado e encaminhados a uma instalação de reciclagem dos materiais ecológicos.


Utilização prevista

ENE073-1

A ferramenta destina-se a apertar em trabalhos de interiores e móveis.

Avisos gerais de segurança para ferramentas eléctricas

GEA010-1

 **AVISO** Leia todos os avisos de segurança e todas as instruções. O não cumprimento dos avisos e instruções pode resultar na ocorrência de choques eléctricos, incêndios e/ou ferimentos graves.

Guarde todos os avisos e instruções para referência futura.

AVISOS DE SEGURANÇA PARA O PINADOR A BATERIA

GEB117-2

1. **Presuma sempre que a ferramenta contém pregos.**
Um manuseamento descuidado do pinador pode resultar no disparo acidental de pregos e em ferimentos.

2. **Não aponte a ferramenta na sua direcção nem a ninguém que se encontre por perto.** Um disparo inesperado resultará na libertação de um prego, causando ferimentos.
3. **Não accione a ferramenta a não ser que a ferramenta seja colocada firmemente contra a peça de trabalho.** Se a ferramenta não estiver em contacto com a peça de trabalho, o prego poderá ser desviado do alvo pretendido.
4. **Desligue a ferramenta da fonte de alimentação quando um prego ficar encravado.** Estando ligado, o pinador pode ser activado acidentalmente durante a remoção de um prego encravado.
5. **Tenha cuidado ao remover um prego encravado.** O mecanismo pode estar sob pressão e o prego pode ser disparado à força enquanto tenta desencravar a pistola.
6. **Não utilize este pinador para pregar cabos eléctricos.** A ferramenta não é adequada para instalação de cabos eléctricos e pode danificar o isolamento dos cabos, causando choques eléctricos ou riscos de incêndio.
7. **Use sempre óculos protectores ou óculos de segurança com protecção lateral e um visor de protecção completo quando necessário.**
8. **Mantenha as mãos e os pés afastados da área da porta de ejeção.**
9. **Siga as instruções para lubrificar e mudar acessórios.**
10. **Retire sempre a bateria antes de carregar os agrafos, efectuar ajustes, inspecção, manutenção ou após a operação estar concluída.**
11. **Assegure-se de que não há ninguém nas proximidades antes de utilizar.** Nunca tente inserir agrafos do lado de dentro e do lado de fora da parede ao mesmo tempo. Os agrafos podem atravessar a madeira e/ou sair disparados, apresentando um perigo muito grave.
12. **Tenha cuidado e mantenha-se numa posição firme e equilibrada ao utilizar a ferramenta.** Certifique-se de que não se encontra ninguém por baixo ao trabalhar em locais altos.
13. **Nunca utilize ferramentas de inserção de pregos marcadas com a inscrição “Não utilizar em andaimes ou escadas” para aplicações específicas, como por exemplo:**
 - quando ao mudar de uma posição de trabalho para outra for preciso utilizar andaimes, degraus, escadas usadas em construção, como ripa de telhado;
 - ao fechar caixas ou grades;
 - ao fixar sistemas de segurança de transporte, como em veículos ou vagões.
14. **Inspeccione cuidadosamente as paredes, tectos, pisos e telhados para evitar o risco de choque eléctrico, fuga de gás, explosões, etc., que podem ser causados se ao pregar encontrar fios ligados, condutas ou canos de gás.**
15. **Utilize apenas agrafos especificados neste manual.** A utilização de agrafos diferentes pode causar o mau funcionamento da ferramenta.
16. **Não modifique a ferramenta nem tente usá-la para além de inserir agrafos.**
17. **Não utilize a ferramenta sem agrafos.** Tal diminui o tempo de vida funcional da ferramenta.
18. **Pare de pregar imediatamente se notar qualquer problema ou algo anormal com a ferramenta.**
19. **Nunca agrafe em materiais que possam permitir que o agrafe perfure ou atravesse como um projectil.**
20. **Nunca accione o gatilho e a alavanca de segurança ao mesmo tempo até estar preparado para agrafar nas peças de trabalho.** Permita que a peça de trabalho empurre a alavanca de segurança. **Nunca tente contrariar o objectivo da alavanca mantendo-a puxada para trás ou premindo-a manualmente.**
21. **Nunca adultere a alavanca de segurança.** Verifique frequentemente a alavanca de segurança para assegurar o funcionamento correcto.
22. **Remova sempre os agrafos da ferramenta quando não é utilizada.**

GUARDE ESTAS INSTRUÇÕES.



AVISO:

NÃO deixe que o conforto ou familiaridade com o produto (obtida de uma utilização regular) substituam um cumprimento severo das regras de segurança do produto em causa. Uma **UTILIZAÇÃO INCORRECTA** ou não cumprimento das regras de segurança indicadas neste manual de instruções podem provocar ferimentos pessoais sérios.

INSTRUÇÕES DE SEGURANÇA IMPORTANTES

ENC007-9

RELATIVAS À BATERIA

1. Antes de utilizar a bateria, leias as instruções e chamadas de atenção sobre: (1) o carregador da bateria, (2) a bateria e (3) o produto que utiliza a bateria.
2. Não desmonte a bateria.
3. Se o tempo de utilização com a bateria se tornar demasiado curto, deve parar imediatamente. Se continuar, pode causar sobreaquecimento, incêndio e mesmo explosão.
4. Se o electrólito entrar em contacto com os olhos, enxágue-os com água limpa e consulte imediatamente um médico. Os riscos incluem perda de visão.
5. Não provoque um curto-circuito na bateria:
 - (1) Não deixe que quaisquer materiais condutores entrem em contacto com os terminais da bateria.
 - (2) Evite guardar a bateria juntamente com outros objectos de metal como pregos, moedas, etc.
 - (3) Não exponha a bateria a água ou chuva. Um curto-circuito na bateria pode criar uma grande carga eléctrica, sobreaquecimento, possíveis queimaduras e mesmo uma avaria.
6. Não guarde a ferramenta e a bateria em locais onde a temperatura possa atingir ou exceder 50°C (122°F).

7. Não incinere a bateria, nem mesmo se esta estiver irremediavelmente danificada ou completamente gasta. Pode explodir num incêndio.
8. Não a deixe cair e evite o choque com outros objectos.
9. Não utilize uma bateria danificada.
10. Siga os regulamentos locais relacionados com a eliminação da bateria.

GUARDE ESTAS INSTRUÇÕES.

Sugestões para o máximo de tempo de vida da bateria

1. Não espere que a bateria se gaste completamente para voltar a carregá-la. Pare a ferramenta e carregue a bateria sempre que detectar um baixo nível de energia.
2. Nunca volte a carregar uma bateria já completamente carregada. O carregamento excessivo diminui o tempo de vida das baterias.
3. Carregue a bateria em locais onde a temperatura se situe entre 10°C e 40°C (50°F - 104°F). Se a bateria estiver quente, deixe-a arrefecer antes de iniciar o carregamento.
4. Carregue a bateria em caso de inatividade durante um longo período de tempo (mais de seis meses).

DESCRIÇÃO DO FUNCIONAMENTO

⚠ PRECAUÇÃO:

- Certifique-se sempre de que a ferramenta está desligada e de que a bateria foi removida antes de proceder a ajustes ou testar acessórios.

Instalar ou retirar a bateria (Fig. 1)

⚠ PRECAUÇÃO:

- Desligue sempre a ferramenta antes de colocar ou remover a bateria.
- **Segure bem a ferramenta e a bateria quando instalar ou retirar a bateria.** Se não segurar bem a ferramenta e a bateria, pode fazer com que caiam das mãos e provoquem danos na ferramenta e na bateria e ferimentos pessoais.

Para retirar a bateria, mantenha premido o botão na frente da bateria e puxe.

Para colocar a bateria, alinhe a respectiva saliência com a calha do compartimento e encaixe-a suavemente. Insira-a completamente até fixar em posição com um clique. Se ainda estiver visível o indicador vermelho na parte superior do botão, não estará bem encaixado.

⚠ PRECAUÇÃO:

- Coloque sempre completamente a bateria até deixar de ver o indicador vermelho. Caso contrário, pode cair da ferramenta e causar ferimentos em si, ou em alguém que esteja perto de si.
- Não instale a bateria forçosamente. Se não encaixar facilmente é porque não está correctamente posicionada.

Sistema de protecção da ferramenta/bateria

A ferramenta está equipada com um sistema de protecção da ferramenta/bateria. Este sistema corta automaticamente a alimentação para prolongar a vida útil da ferramenta e bateria.

A ferramenta pára automaticamente durante o funcionamento quando a ferramenta ou bateria são colocadas numa das condições seguintes. Em algumas condições, os indicadores acendem. (Fig. 2)

Protecção contra sobreaquecimento para a ferramenta

Quando a ferramenta está sobreaquecida, a ferramenta pára automaticamente e o indicador pisca durante cerca de 60 segundos. Nesta situação, deixe a ferramenta arrefecer antes de voltar a ligá-la.

Protecção contra sobreaquecimento para a bateria

Quando a bateria está sobreaquecida, a ferramenta pára automaticamente e o indicador da bateria acende durante cerca de 60 segundos. A ferramenta não arranca mesmo se premir o gatilho. Nesta situação, deixe a bateria arrefecer antes de voltar a ligá-la.

NOTA:

A protecção contra o sobreaquecimento da bateria apenas funciona com uma bateria com uma marca de estrela. (Fig. 3)
















Protecção contra sobredescarga

Quando a capacidade restante da bateria ficar fraca, o indicador pisca. Ao continuar com a utilização, a ferramenta pára e o indicador acende durante cerca de 60 segundos. Nesta situação, carregue a bateria.

Indicar a carga restante da bateria

(Apenas para baterias com "B" no final do número de modelo.) (Fig. 4)

Prima o botão de verificação na bateria para indicar a carga restante da bateria. As lâmpadas indicadoras acendem-se durante alguns segundos.

Lâmpadas indicadoras			Carga restante
 Acesa	 Apagada	 Intermitente	
			75% a 100%
			50% a 75%
			25% a 50%
			0% a 25%
			Carregue a bateria.
			A bateria pode ter avariado.

015658

NOTA:

- Consoante as condições de utilização e a temperatura ambiente, a indicação pode ser ligeiramente diferente da carga real.

Utilizar o bloqueio do gatilho

PRECAUÇÃO:

- Quando não é utilizada ou após utilizar a ferramenta, bloqueie sempre o gatilho com o bloqueio do gatilho. (Fig. 5)

A ferramenta tem um bloqueio do gatilho, de forma a evitar acidentes devido a um arranque inadvertido. O bloqueio do gatilho fixa o gatilho e faz com que a ferramenta não dispare.

Para bloquear o gatilho, coloque o botão de bloqueio na posição "LOCK".

Antes de pregar, coloque o botão de bloqueio na posição "FREE". Quando não estiver a ser utilizada, coloque-a sempre na posição "LOCK" e remova a bateria da ferramenta.

Seleção do modo de pregagem (Fig. 6)

A ferramenta possui dois modos de pregagem diferentes. Selecione a pregagem pretendida através do botão de seleção de modo. Para mais informações, consulte a secção "FUNCIONAMENTO".

Pregagem intermitente (modo sequencial)

Este modo é adequado para pregar com cuidado e precisão.

Pregagem contínua/intermitente (modo contínua)

Quando a ferramenta está definida para este modo, pode escolher entre a pregagem contínua ou intermitente através de sequências de funcionamento do gatilho.

Ajustar a profundidade de colocação dos pregos

AVISO:

- Certifique-se sempre de que os seus dedos não se encontram no gatilho e de que a bateria e os pregos são removidos. (Fig. 7)

Para obter um profundidade mais superficial, rode o regulador para A, como mostrado na figura. Para obter uma profundidade mais profunda, rode o regulador no sentido B.

Não rode demasiado o regulador, caso contrário pode ficar preso.

Acender a lâmpada

PRECAUÇÃO:

- Não olhe directamente para a luz da ferramenta. (Fig. 8)

Para ligar a lâmpada, prima o gatilho ou coloque o elemento de contacto contra a peça de trabalho. Solte o gatilho ou o elemento de contacto para a desligar.

A lâmpada apaga-se 10 segundos após soltar o gatilho ou elemento de contacto da peça de trabalho.

NOTA:

- Utilize um pano seco para limpar a sujidade da lente da lâmpada. Tenha cuidado para não riscar a lente da

lâmpada, pois poderia diminuir a intensidade da iluminação.

- Mesmo que a lâmpada acenda quando o nível de energia da bateria estiver baixo, o pinador pode não disparar os pregos. Nesse caso, carregue a bateria.

MONTAGEM

PRECAUÇÃO:

- Antes de proceder a qualquer intervenção no pinador, certifique-se sempre de que os seus dedos não se encontram no gatilho e de que a bateria e os pregos são removidos.

Carregar ou retirar pregos

PRECAUÇÃO:

- Certifique-se sempre de que os seus dedos não se encontram no gatilho e de que a bateria é removida antes de carregar pregos.
- Não deslize de forma súbita a porta deslizante do pinador carregado com pregos. A queda acidental de pregos, particularmente quando se trabalha em locais altos, pode causar ferimentos.
- Carregue os pregos na direcção correcta. O carregamento na direcção errada pode causar o desgaste prematuro da guia e danificar as outras peças.
- Não utilize pregos deformados. Utilize apenas pregos especificados neste manual. A utilização de pregos que não aqueles especificados pode causar encravamento de pregos e avaria do pinador.

Prima a alavanca de bloqueio e abra a porta deslizante do carregador. (Fig. 9)

Coloque a tira de pregos de modo a que as pontas dos pregos toquem no fundo da ranhura do carregador e deslize a tira de pregos na direcção da abertura de disparo.

Coloque a porta deslizante na posição original até a alavanca de bloqueio a bloquear.

Para remover os pregos, prima a alavanca de bloqueio e deslize a porta deslizante. Retire os pregos da ranhura do carregador. (Fig. 10)

Adaptador de ponta

PRECAUÇÃO:

- Certifique-se sempre de que os seus dedos não se encontram no gatilho e de que a bateria e os pregos são removidos antes de instalar o adaptador de ponta. (Fig. 11)

Utilize o adaptador de ponta quando pretender colocar pregos em material com superfícies facilmente danificáveis. Para instalar o adaptador de ponta, coloque-o sobre a placa central de forma a que a protusão no interior do adaptador de ponta encaixe na ranhura da tampa da guia.

Quando não estiver a ser utilizado, guarde o adaptador de ponta no suporte na parte de trás da porta deslizante para evitar que se perca. Podem ser guardados dois adaptadores de ponta.

Gancho

PRECAUÇÃO:

- Certifique-se sempre de que os seus dedos não se encontram no gatilho e de que a bateria e os pregos são removidos antes de utilizar o gancho.
- Não pendure o gancho no cinto. Deixar cair o pinador, o que pode acontecer caso o gancho se desencaixe acidentalmente, pode causar um disparo acidental e ferimentos. (Fig. 12)

O gancho é muito útil para pendurar a ferramenta quando necessário. Pode ser instalado em qualquer um dos lados da ferramenta.

Para instalar o gancho, insira-o num dos encaixes do corpo da ferramenta, em qualquer dos lados e, em seguida, fixe-o com um parafuso. Para o remover, basta desapertar o parafuso. (Fig. 13)

Armazenamento da chave sextavada (Fig. 14)

Quando não estiver a ser utilizada, guarde a chave sextavada tal como indicado na ilustração, para evitar que se perca.

FUNCIONAMENTO

Inspeccionar o funcionamento do gatilho

PRECAUÇÃO:

- Certifique-se de que o funcionamento do gatilho está em perfeitas condições antes de cada utilização. Se encontrar os problemas descritos abaixo, consulte os centros de assistência autorizados da Makita para reparações.
- Antes de colocar a bateria na ferramenta, verifique se o gatilho está a funcionar correctamente e se regressa à posição "OFF" quando o solta.

A ferramenta não pode funcionar apenas premindo o gatilho ou apenas colocando o elemento de contacto contra a peça de trabalho.

Pregar

PRECAUÇÃO:

- Certifique-se sempre de que coloca primeiro o elemento de contacto contra a peça de trabalho antes de premir o gatilho.

Selecione o modo de pregagem premindo o botão de selecção de modo conforme mencionado na secção "Selecção do modo de pregagem".

Pregagem intermitente (modo sequencial) (Fig. 15)

Para pregar, coloque o botão de bloqueio na posição "FREE". Coloque o elemento de contacto contra a peça de trabalho e prima o gatilho. Solte o gatilho após cada utilização.

Pregagem contínua/intermitente (modo contínua) (Fig. 16)

Quando a ferramenta está definida para o modo contínuo, pode utilizar a pregagem contínua ou intermitente.

Para pregar, coloque o botão de bloqueio na posição "FREE".

- Para a pregagem contínua, primeiro prima o gatilho e depois coloque o elemento de contacto contra a peça

de trabalho. Para a próxima utilização, não necessita de soltar o gatilho.

- Para pregagem intermitente, coloque o elemento de contacto contra a peça de trabalho e prima o gatilho. Para a próxima utilização, necessita de repor primeiro o gatilho.

NOTA:

- Esta ferramenta pára automaticamente nas condições seguintes:
 - Se soltar o gatilho ou o elemento de contacto da peça de trabalho antes de a ferramenta concluir a operação. Nesta situação, prima novamente o gatilho até a ferramenta ficar inactiva.
 - Quando prime o gatilho ou coloca o elemento de contacto cerca de 5 segundos sem outra acção. Neste caso, solte o gatilho ou o elemento de contacto da peça de trabalho para reiniciar a operação.

Mecanismo anti-accionamento

A ferramenta está equipada com um mecanismo anti-accionamento. Pára automaticamente de pregar quando os pregos restantes acabam. Neste caso, carregue mais pregos para retomar a operação.

Remover pregos encravados

AVISO:

- Antes de retirar pregos encravados, certifique-se sempre de que o gatilho está solto e de que a bateria e os pregos são removidos.

Remova os parafusos sextavados que fixam a tampa da guia com a chave sextavada.

Retire os pregos encravados do encaixe-guia de pregos que surgiu.

Fixe a tampa da guia com parafusos sextavados pela ordem correcta. Aperte o parafuso sextavado A, B e depois C. (Fig. 17)

NOTA:

- Após fixar a tampa da guia, certifique-se sempre de que a tampa da guia funciona correctamente. Se não funcionar correctamente, retire os parafusos sextavados e instale novamente a tampa da guia.

Pregos (Fig. 18)

Manuseie os pregos e a respectiva caixa com cuidado.

Se manusear os pregos descuidadamente, estes podem ficar deformados ou os respectivos conectores podem quebrar, causando um reabastecimento deficiente de pregos.

Evite guardar os pregos em lugares muito húmidos ou muito quentes ou em lugares expostos à luz solar directa. (Fig. 19)

MANUTENÇÃO

PRECAUÇÃO:

- Certifique-se sempre de que a ferramenta está desligada e de que a bateria e os pregos são removidos antes de efectuar operações de inspecção ou de manutenção.
- Nunca utilize gasolina, benzina, diluente, álcool ou semelhante. Podem formar-se descolorações, deformações ou fissuras.

Limpeza do carregador

Quando o impulsor no carregador não se move suavemente devido a pó, areia, aparas ou outras substâncias estranhas, limpe o carregador. Para remover a porta deslizante, desaperte o parafuso sextavado no carregador. (Fig. 20) Puxe o impulsor da porta deslizante e, de seguida, retire o batente, mangas e molas. Após limpar, instale as peças todas na porta deslizante. Para instalá-las, efectue o procedimento seguinte.

(Fig. 21)

1. Instale a mola grande na porta deslizante.
2. Instale as peças no impulsor pela ordem correcta, manga, mola pequena e, depois, batente.
3. Instale o impulsor com as outras peças na porta deslizante.

NOTA:

- Quando retira o impulsor da porta deslizante, as peças na porta deslizante podem saltar para fora.
- Quando instala o impulsor com as outras peças na porta deslizante, crie espaços entre o impulsor e as mangas.

Para manter os níveis de SEGURANÇA e FIABILIDADE definidos para este produto, as reparações e os procedimentos de manutenção ou ajustes devem ser executados por centros de assistência Makita autorizados, utilizando sempre peças de substituição Makita.

ACESSÓRIOS OPCIONAIS

⚠️ PRECAUÇÃO:

- Os seguintes acessórios ou extensões são os recomendados para utilizar com a ferramenta Makita especificada neste manual. A utilização de quaisquer outros acessórios poderá representar um risco de ferimento para as pessoas. Apenas utilize o acessório para o fim indicado.

Se precisar de informações adicionais relativas aos acessórios, contacte o centro local de assistência Makita.

- Pregos
- Bateria e carregador genuínos da Makita
- Óculos protectores

NOTA:

- Alguns itens na lista podem estar incluídos no pacote de ferramentas como acessórios de série. Podem diferir de país para país.

Ruído ENG905-1

O nível de ruído ponderado A típico determinado, de acordo com EN60745:

Nível de pressão sonora (L_{pA}): 79 dB (A)

Incerteza (K): 3 dB (A)

O nível de ruído quando em funcionamento pode exceder os 80 dB (A).

Use protecção ocular.

Vibração ENG904-2

O valor total das vibrações determinado de acordo com a EN60745:

Emissão de vibração (a_{h1}): 2,5 m/s² ou menos

Incerteza (K): 1,5 m/s²

- O valor da emissão de vibração declarado foi medido de acordo com o método de teste padrão e pode ser utilizado para comparar uma ferramenta com outra.
- O valor da emissão de vibração declarado pode também ser utilizado numa avaliação preliminar de exposição.

⚠️ AVISO:

- A emissão de vibração durante a utilização real da ferramenta eléctrica pode ser diferente do valor de emissão declarado, dependendo da forma como a ferramenta é utilizada.
- Certifique-se de que identifica medidas de segurança, para proteger o operador, que são baseadas numa estimativa de exposição nas condições reais de utilização (tendo em conta todas as partes do ciclo de funcionamento, como as vezes que a ferramenta é desligada e quando está a trabalhar ao ralenti, além do tempo de utilização).

Apenas para países europeus

ENH003-15

Declaração de conformidade CE

A Makita declara que as máquinas:

Designação da máquina:

Pinador a Bateria

Nº/Tipo de modelo: DBN500

Estão em conformidade com as directivas europeias seguintes:

2006/42/EC

São fabricadas de acordo com as normas e documentos normalizados seguintes:

EN60745, EN792

A ficha técnica em conformidade com a norma

2006/42/EC está disponível a partir de:

Makita, Jan-Baptist Vinkstraat 2, 3070, Bélgica

28. 4. 2015



Yasushi Fukaya

Director

Makita, Jan-Baptist Vinkstraat 2, 3070, Bélgica

DANSK (Originalvejledning)

Forklaring til generel oversigt

- | | | |
|--|---|-------------------------------|
| 1. Rød indikator | 16. Afbryderkontakt | 32. Træk i afbryderkontakten. |
| 2. Knap | 17. Styrestykke (kontaktelemt) | 33. Sekskantbolt A |
| 3. Batteripakke | 18. Låsehåndtag | 34. Sekskantbolt B |
| 4. Batteriindikator | 19. Skydelem | 35. Sekskantbolt C |
| 5. Stjernemærkning | 20. Styrestykke | 36. Styrestykkedæksel |
| 6. Indikatorlamper | 21. Magasin | 37. Søm |
| 7. Kontrolknap | 22. Søm | 38. Fugtig |
| 8. Afbryderkontaktlås | 23. Spidsadapter | 39. Varm |
| 9. Tryk hen på den låste position (Lock) | 24. Fremspring | 40. Sekskantbolt |
| 10. Tryk hen på den frie position (Free) | 25. Centerplade | 41. Trykanordning |
| 11. Tilstandsvælgerknap | 26. Holder | 42. Muffe |
| 12. Sekventiel tilstand | 27. Rille | 43. Fjeder (stor) |
| 13. Kontinuerlig tilstand | 28. Krøg | 44. Fjeder (lille) |
| 14. Justeringsenhed | 29. Skrue | 45. Stopper |
| 15. Lampe | 30. Unbrakonøgle | |
| | 31. Placer kontaktelemtet mod arbejdsemnet. | |

SPECIFIKATIONER

Model	DBN500	
Dykkerstørrelse	18Ga x 15, 20, 25, 30, 32, 35, 38, 40, 45, 50 mm	
Indhold af dykermagasin	100 stk.	
Mål (L x B x H)	294 mm x 97 mm x 318 mm	
Nominal spænding	18 V jævnstrøm	
Nettovægt	3,3 kg	3,5 kg
Standard batteripakker	BL1815/BL1815N/BL1820/ BL1820B	BL1830/BL1840/BL1840B/ BL1850/BL1850B

- På grund af vores løbende forsknings- og udviklingsprogram kan specifikationerne heri ændres uden forudgående varsel.
- Specifikationerne og batteripakken kan variere fra land til land.
- Vægt, inklusive batteripakken, i henhold til EPTA-Procedure 01/2003

Symboler

END311-1

Her vises de symboler, der benyttes til udstyret.

Vær sikker på, at du forstår deres betydning, før du bruger udstyret.



..... Læs brugsanvisningen.



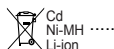
..... Bær beskyttelsesbriller.



..... Må ikke anvendes på stilladser og stiger.



..... Hold fingrene væk fra afbryderkontakten, når du ikke slår befæstelselementer i, for at undgå utilsigtet affyring.



..... Kun for EU-lande
Elektrisk udstyr eller batteripakke må ikke bortskaffes sammen med almindeligt affald!
I henhold til det europæiske direktiv om bortskaffelse af elektriske og elektroniske produkter og om

batterier og akkumulatører og bortskaffelse af batterier og akkumulatører og deres implementering under gældende national lovgivning skal brugt elektrisk udstyr, batterier og batteripakke(r), der har udtjent deres levetid, indsamles separat og returneres til miljøgodkendt genindvinding.

Tilsløget brug

ENE073-1

Værktøjet er beregnet til fastgørelse indendørs og på møbler.

Generelle sikkerhedsadvarsler for maskiner

GEA010-1

⚠ ADVARSEL Læs alle sikkerhedsadvarsler og alle instruktioner. Hvis De ikke følger alle advarsler og instruktioner, kan det medføre elektrisk stød, brand og/eller alvorlig personskade.

Gem alle advarsler og instruktioner til senere reference.

SIKKERHEDSADVARSLER FOR LEDNINGSFRI SØMPISTOL

GEB117-2

1. **Gå altid ud fra at værktøjet indeholder befæstelseselementer.** Skødesløs håndtering af sømpistolen kan resultere i uventet affyring af befæstelseselementer, der kan forårsage personskader.
2. **Ret ikke værktøjet mod dig selv eller andre i nærheden.** Uventet tryk på afbryderkontakten vil afskyde befæstelseselementet og forårsage skader.
3. **Aktiver ikke værktøjet, medmindre det er placeret fast mod arbejdsemnet.** Hvis værktøjet ikke er i kontakt med arbejdsemnet, kan befæstelseselementet muligvis afvige fra dit mål.
4. **Afbryd værktøjet fra strømforsyningen når et befæstelseselement sidder fast i værktøjet.** Når du fjerner et fastklemt befæstelseselement, kan sømpistolen aktiveres ved et uheld, hvis den er tilkoblet en strømforsyning.
5. **Vær forsigtig når du fjerner et fastklemt befæstelseselement.** Mekanismen kan være under tryk, og befæstelseselementet kan affyres med stor kraft, mens du forsøger at fjerne blokeringen.
6. **Anvend ikke denne sømpistol til fastgørelse af elkabler.** Den er ikke beregnet til fastgørelse af elkabler, og det kan skade elkablets isolering og dermed forårsage elektrisk stød eller brandfare.
7. **Bær altid sikkerhedsbriller med sideskjold, samt et komplet visir, hvis det er påkrævet.**
8. **Hold hænder og fødder borte fra området omkring udstødsporten.**
9. **Følg instruktionerne for smøring og udskiftning af tilbehør.**
10. **Fjern altid batteripakken, før du isætter befæstelseselementer eller foretager justering, eftersyn eller vedligeholdelse, eller efter endt brug.**
11. **Sørg for, at der ikke er andre i nærheden, før arbejdet påbegyndes. Forsøg aldrig at skyde befæstelseselementer i fra både indersiden og ydersiden af væggen på samme tid. Befæstelseselementerne kan gå igennem og/eller flyve væk og udgøre en alvorlig fare.**
12. **Vær opmærksom på fodfæstet, og hold balancen med værktøjet. Sørg for, at der ikke er nogen under dig, når du benytter værktøjet på højtliggende steder.**
13. **Anvend aldrig sømpistoler, der er mærket med symbolet "Må ikke anvendes på stilladser og stiger" til bestemte formål, f.eks.:**
 - ved skift fra et arbejdssted til et andet, der involverer brug af stilladser, trapper, stiger eller stigelignende konstruktioner som f.eks. taglægter.
 - lukning af kasser eller tremmekasser;
 - montering af transportsikkerhedssystemer, f.eks. på biler og vogne.
14. **Kontroller vægge, lofter, gulve, tage og lignende omhyggeligt for at undgå risiko for elektrisk stød, gasudsving, eksplosioner osv. forårsaget af hæftning af strømførende ledninger, elektriskerrør eller gasrør.**
15. **Brug kun de befæstelseselementer, der er angivet i denne brugsanvisning. Brug af andre befæstelseselementer kan muligvis beskadige værktøjet.**
16. **Pil ikke ved værktøjet, og forsøg ikke at bruge det til andet end til at sætte befæstelseselementer fast med.**
17. **Anvend ikke værktøjet uden befæstelseselementer. Dette forkorter værktøjets levetid.**
18. **Stop arbejdet øjeblikkeligt, hvis du bemærker fejlfunktion eller noget unormalt ved værktøjet.**
19. **Skyd aldrig befæstelseselementer i materiale, hvor befæstelseselementet kan gennemtrænge det og gå igennem som et projektil.**
20. **Aktiver aldrig afbryderkontakten og sikkerhedshåndtaget på samme tid, medmindre du er klar til at skyde befæstelseselementer i arbejdsemnet. Giv arbejdsemnet mulighed for at trykke sikkerhedshåndtaget ned. Sikkerhedshåndtaget må aldrig fastgøres i tilbagepositionen eller nedtrykkes med hånden.**
21. **Pil aldrig ved sikkerhedshåndtaget. Kontroller ofte sikkerhedshåndtaget for at sikre korrekt brug.**
22. **Fjern altid befæstelseselementer fra værktøjet, når det ikke anvendes.**

GEM DISSE INSTRUKTIONER.

⚠ ADVARSEL:

LAD IKKE tryghed eller kendskab til produktet (fra gentagen brug) føre til, at du ikke strengt overholder sikkerhedsreglerne for det gældende produkt. MISBRUG eller manglende overholdelse af sikkerhedsreglerne i denne brugsanvisning kan medføre alvorlig personskade.

VIGTIGE SIKKERHEDSINSTRUKTIONER

ENC007-9

FOR BATTERIPAKKEN

1. **Før brugen af batteripakken skal du læse alle instruktioner og advarsler på (1) batteriopladeren, (2) batteriet og (3) det produkt, som batteriet anvendes i.**
2. **Skil ikke batteripakken ad.**
3. **Hvis driftstiden bliver betydeligt kortere, skal du straks ophøre med brugen. Brug kan medføre risiko for overophedning, risiko for forbrændinger eller endog eksplosion.**
4. **Hvis du får elektrolyt i øjnene, skal du med det samme rense øjnene med rent vand og søge læge. Dette kan medføre tab af synet.**
5. **Kortslut ikke batteripakken:**
 - (1) **Undgå at røre ved terminalerne med ledende materiale.**
 - (2) **Undgå at opbevare batteripakken i en beholder med andre metalgenstande som f.eks. søm, mønter osv.**
 - (3) **Udsæt ikke batteripakken for vand eller regn.**

Hvis batteriet kortsluttes, kan det medføre voldsom strøm, overophedning, mulige forbrændinger og endog nedbrud.

- Undgå at opbevare værktøjet og batteripakken på steder, hvor temperaturen kan komme op på eller overstige 50°C.
- Sæt ikke ild til batteripakken, selvom den er alvorligt beskadiget eller helt udtjent. Batteripakken kan eksplodere ved brand.
- Undgå at tabe eller slå på batteriet.
- Undlad brug af et beskadiget batteri.
- Følg de lokale bestemmelser med hensyn til bortskaffelse af batteri.

GEM DISSE INSTRUKTIONER.

Tips til, hvordan du forlænger batteriets levetid

- Oplad batteripakken, før den bliver helt afladet. Ophør med at bruge værktøjet, og udskift batteripakken, hvis strømmen til værktøjet aftager.
- Oplad aldrig en fuldt opladet batteripakke. Overopladning forkorter batteriets levetid.
- Oplad batteripakken ved stuetemperatur på 10°C - 40°C. Lad batteripakken køle ned før den oplades, hvis den er varm.
- Oplad batteripakken, hvis du ikke skal anvende den i en længere periode (mere end seks måneder).

FUNKTIONSBESKRIVELSE

⚠ FORSIGTIG:

- Sørg altid for, at maskinen er slukket, og at batteripakken er taget ud, før du justerer maskinen eller kontrollerer dens funktion.

Montering eller afmontering af batteripakke (Fig. 1)

⚠ FORSIGTIG:

- Sluk altid for maskinen inden batteripakken monteres eller afmonteres.
- Hold godt fast i maskinen og batteripakken når du monterer eller afmonterer batteripakken. Hvis maskinen og batteripakken ikke holdes ordentligt fast, kan de glide ud af hænderne og resultere i skader på maskinen og batteripakken samt personskaade.

Afmonter batteripakken ved at holde ned på knappen foran på batteripakken og skubbe den af maskinen. Ved montering af batteripakken justeres tungen på batteripakken med rillen i huset, hvorefter pakken skubbes ind på plads. Sæt den hele vejen ind, indtil den låses på plads med et lille klik. Hvis den røde indikator øverst på knappen er synlig, er batteripakken ikke låst helt fast.

⚠ FORSIGTIG:

- Sæt altid batteripakken helt ind, indtil den røde indikator ikke er synlig. Ellers kan den falde ud af maskinen og skade dig eller andre personer i nærheden.
- Anvend ikke kræfter ved monteringen af batteripakken. Hvis den ikke glider let ind, er den ikke indsat korrekt.

Maskin-/batteribeskyttelsessystem

Maskinen er udstyret med et maskin-/batteribeskyttelsessystem. Dette system slukker automatisk for strømmen til motoren for at forlænge maskin- og batterilevetiden.

Maskinen stopper automatisk under anvendelsen, hvis maskinen eller batteriet udsættes for en af de følgende situationer. I visse situationer lyser indikatorerne. (Fig. 2)

Overophedningsbeskyttelse for maskine

Når maskinen overophedes, standser maskinen automatisk, og indikatorerne blinker i ca. 60 sekunder. I denne situation skal du lade maskinen køle af, inden du tænder for maskinen igen.

Overophedningsbeskyttelse for batteri

Når batteriet overophedes, standser maskinen automatisk, og batteriindikatoren lyser i ca. 60 sekunder. Maskinen starter ikke, selvom du trykker på afbryderkontakten. I denne situation skal du lade batteriet køle af, inden du tænder for maskinen igen.

BEMÆRK:

Batterioverophedningsbeskyttelsen fungerer kun med en batteripakke med en stjernemærkning. (Fig. 3)

Overafladningsbeskyttelse

Når den resterende batterikapacitet bliver lav, blinker indikatorerne. Ved yderligere brug standser maskinen, og indikatoren lyser i ca. 60 sekunder. Udskift batteripakken i denne situation.

Angivelse af den resterende batterikapacitet

(Kun for batteripakker med "B" til sidst i modelnummeret.) (Fig. 4)

Tryk på kontrolknappen på batteripakken for at få angivet den resterende batterikapacitet. Indikatorlamperne lyser i nogle få sekunder.

Indikatorlamper			Resterende kapacitet
Tændt	Slukket	Blinker	
■	■	■	75% til 100%
■	■	□	50% til 75%
■	□	□	25% til 50%
■	□	□	0% til 25%
◐	□	□	Oplad batteriet.
■	■	□	Der opstod muligvis funktionsfejl på batteriet.
□	□	■	

015658

BEMÆRK:

- Afhængigt af anvendelsesforholdene og den omgivende temperatur, kan angivelsen muligvis afvige en smule fra den egentlige kapacitet.

Brug af afbryderkontaktlåsen

FORSIGTIG:

- Når maskinen ikke anvendes, eller efter anvendelse af maskinen, skal du altid låse afbryderkontakten med afbryderkontaktlåsen. (Fig. 5)

Værktøjet er udstyret med en afbryderkontaktlås for at undgå ulykker pga. utilsigtede start. Afbryderkontaktlåsen låser afbryderkontakten fast, så maskinen ikke kan affyre befæstelseselementer.

For at låse afbryderkontakten skal du sætte låseknappen hen på "LOCK"-positionen.

Inden du sømmer, skal låseknappen sættes i "FREE"-positionen. Når maskinen ikke bruges, skal den altid sættes på "LOCK"-positionen, og batteripakken skal tages ud af maskinen.

Valg af sømtilstand (Fig. 6)

Maskinen har to forskellige sømtilstande. Vælg den ønskede sømning vha. tilstandsvælgerknappen. Se afsnittet "BETJENING" angående flere detaljer.

Intermitterende sømning (sekventiel tilstand)

Denne tilstand er egnet til omhyggelig og nøjagtig isætning af et søm.

Kontinuerlig/intermitterende sømning (kontinuerlig tilstand)

Når maskinen er indstillet til denne tilstand, kan du vælge enten kontinuerlig eller intermitterende sømning vha. sekventiel betjening af afbryderkontakten.

Justering af sømddyden

ADVARSEL:

- Kontroller altid, at dine fingre ikke er placeret på afbryderkontakten, og at batteripakken og søm er fjernet. (Fig. 7)

For at få en mindre dybde skal du dreje justeringsenheden hen i A-retningen som vist på figuren. For at få en større dybde skal du dreje justeringsenheden hen i B-retningen.

Drej ikke for meget på justeringsenheden, da den ellers kan sætte sig fast.

Tænding af lampen

FORSIGTIG:

- Se ikke direkte ind i lyset eller lyskilden. (Fig. 8)
- Tryk på på afbryderkontakten eller placer kontaktelelementet mod arbejdsemnet for at tænde for lampen. Slip afbryderkontakten eller fjern kontaktelelementet for at slukke den.
- Lampen slukker 10 sekunder efter afbryderkontakten er sluppet, eller kontaktelelementet er fjernet, fra arbejdsemnet.

BEMÆRK:

- Benyt en tør klud til at tørre snavs af lampens linse. Pas på ikke at ridse lampens linse, da det kan mindske lysstyrken.
- Selv om lampen lyser når batteristyrken er ved at løbe ud, kan sømpistolen måske ikke affyre søm. Udskift batteripakken i dette tilfælde.

MONTERING

FORSIGTIG:

- Kontroller altid, at dine fingre ikke er placeret på afbryderkontakten, og at batteripakken og sømmene er fjernet, før sømpistolen vedligeholdes.

Isætning eller udtagning af sømmene

FORSIGTIG:

- Kontroller altid, at dine fingre ikke er placeret på afbryderkontakten, og at batteripakken er fjernet, inden du isætter søm.
- Skub ikke skydelemmen på en sømpistol med isatte søm voldsomt til side. Utilsigtede tab af søm kan forårsage personskader, især ved arbejde på høje steder.
- Sæt sømmene ind i den rigtige retning. Isætning i den forkerte retning kan forårsage hurtig slidtage af pistolen og beskadige andre dele.
- Anvend ikke deformet tilsluttede søm. Brug de søm, der er angivet i denne brugsanvisning. Brug af søm ud over dem, der er specificeret, kan forårsage fastklemning af søm og beskadigelse af sømpistolen.

Tryk på låsehåndtaget og åbn magasinets skydelem.

(Fig. 9)

Indstil sømstrimlen så sømspidserne rører ved bunden af magasinprækken og skub sømstrimlen mod affyringsåbningen.

Sæt skydelemmen tilbage på den oprindelige position, indtil låsehåndtaget låser det fast.

Tryk på låsehåndtaget og skub skydelemmen op for at fjerne sømmene. Tag sømmene ud fra magasinprækken. (Fig. 10)

Spidsadapter

FORSIGTIG:

- Kontroller altid, at dine fingre ikke er placeret på afbryderkontakten, og at batteripakken og søm er fjernet, inden du monterer spidsadapteren. (Fig. 11)
- Ved affyring af søm på overflader, der let kan skæmmes, bør spidsadapteren anvendes. For at montere spidsadapteren skal den placeres over centerpladen, således af fremspringet i spidsadapteren passer ind i sprækken på styrestykkedækslet.
- Opbevar spidsadapteren i holderen bag skydelemmen, når den ikke anvendes, for at forhindre at den bliver væk. Der kan opbevares i alt to spidsadaptere.

Krog

FORSIGTIG:

- Kontroller altid, at dine fingre ikke er placeret på afbryderkontakten, og at batteripakken og søm er fjernet, inden brug af kroge.
- Hæng ikke kroge i bæltet. Hvis sømpistolen tages, hvilket kan ske, hvis kroge ved et uheld løsnes, kan det forårsage forkert affyring og personskader. (Fig. 12)

Kroge er nyttig til midlertidig ophængning af værktøjet. Den kan monteres på begge sider af værktøjet.

For at montere kroge indsættes den i en rille i værktøjet på en af siderne, hvorefter den fastgøres med en skrue.

Den afmonteres ved at løsne skruen og tage den ud. (Fig. 13)

Opbevaring af unbrakonøgle (Fig. 14)

Opbevar unbrakonøglen som vist i figuren, når den ikke anvendes, for at forhindre, at den bliver væk.

BETJENING

Kontrol af afbryderkontaktfunktion

⚠ FORSIGTIG:

- Sikr dig, at afbryderkontaktfunktionen fungerer inden hver anvendelse. Hvis du opdager nogen af problemerne beskrevet nedenfor, skal du bede et Makita-autoriseret servicecenter om reparation.
- Før batteripakken sættes i maskinen, skal du altid kontrollere, at afbryderkontakten reagerer korrekt og vender tilbage i "OFF"-stillingen, når du slipper den.

Værktøjet må ikke aktiveres, når du kun trækker i afbryderkontakten, eller når du kun placerer kontaktelelementet mod arbejdsemnet.

Isætning af søm

⚠ FORSIGTIG:

- Sørg altid for først at placere kontaktelelementet mod arbejdsemnet, inden du trykker på afbryderkontakten.

Vælg sømmetilstanden ved at trykke på tilstandsvælgerknappen som nævnt i afsnittet "Valg af sømmetilstand".

Intermitterende sømning (sekventiel tilstand) (Fig. 15)

Sæt låseknappen i "FREE"-positionen for at slå et søm i. Placer kontaktelelementet mod arbejdsemnet og tryk på afbryderkontakten. Slip afbryderkontakten efter hver betjening.

Kontinuerlig/intermitterende sømning (kontinuerlig tilstand) (Fig. 16)

Når værktøjet er indstillet til kontinuerlig tilstand, kan du enten anvende kontinuerlig eller intermitterende sømning. Sæt låseknappen i "FREE"-positionen for at slå et søm i.

- Tryk først på afbryderkontakten og placer derefter kontaktelelementet mod arbejdsemnet for at foretage kontinuerlig sømning. Du behøver ikke slippe afbryderkontakten af hensyn til den næste aktivering.
- Placer kontaktelelementet mod arbejdsemnet og tryk på afbryderkontakten for at foretage intermitterende sømning. Du behøver ikke først sætte afbryderkontakten tilbage af hensyn til den næste aktivering.

BEMÆRK:

- Dette værktøj stopper automatisk i de følgende situationer:
 - Hvis du slipper afbryderkontakten, eller fjerner kontaktelelementet fra arbejdsemnet, inden værktøjet er helt færdig med betjeningen.
I denne situation skal du trykke på afbryderkontakten igen, indtil værktøjet går på standby.
 - Når du enten trykker på afbryderkontakten eller placerer kontaktelelementet i ca. 5 sekunder uden nogen anden handling.
I dette tilfælde skal du slippe afbryderkontakten eller

fjerne kontaktelelementet fra arbejdsemnet for at genstarte betjeningen.

Mekanisme til forhindring af affyring uden søm

Værktøjet har en mekanisme til at forhindre, at det affyres uden søm. Den stopper automatisk affyring af søm, når sømmene er brugt op. I dette tilfælde skal du isætte flere søm for at genoptage betjeningen.

Fjernelse af fastklemte søm

⚠ ADVARSEL:

- Kontroller altid at afbryderkontakten er sluppet, og at batteripakken og søm er fjernet, før du fjerner fastklemte klammer.

Fjern de sekskantbolte som fastgør styrestykkedækslet med unbrakonøglen.

Tag de søm ud fra sømriilen, der sidder fast.

Fastgør styrestykkedækslet med sekskantboltene i den rigtige rækkefølge. Spænd sekskantbolt A, B og derefter C. (Fig. 17)

BEMÆRK:

- Efter fastgørelse af styrestykkedækslet skal du altid sikre dig, at styrestykkedækslet bevæger sig ordentligt. Hvis det ikke bevæger sig ordentligt, skal du fjerne sekskantboltene og montere styrestykkedækslet igen.

Søm (Fig. 18)

Håndter søm og æsken med dem forsigtigt. Hvis søm håndteres hårdt, kan de blive bøjet, eller deres forbindelse ødelægges, så sømfremføringen forhindres.

Undgå at opbevare søm på fugtige eller varme steder eller på steder, der er udsat for direkte sollys. (Fig. 19)

VEDLIGEHOLDELSE

⚠ FORSIGTIG:

- Sørg altid for, at maskinen er slukket, og at batteripakken og søm er taget ud, før du forsøger at udføre eftersyn eller vedligeholdelse.
- Brug aldrig benzin, benzen, fortynder, alkohol eller lignende. Det kan muligvis medføre misfarvning, deformation eller revner.

Rengøring af magasin

Når trykanordningen i magasinet ikke fungerer glat pga. støv, sand, træfliser eller andre fremmedlegemer, skal magasinet rengøres.

For at fjerne skydelemmen skal du løsne sekskantbolten på magasinet. (Fig. 20)

Træk trykanordningen af skydelemmen og fjern derefter stopperen, muffen og fjedre.

Efter rengøring sættes alle delene ind i skydelemmen. Udfør den følgende procedure for at montere dem. (Fig. 21)

1. Sæt den store fjeder ind i skydelemmen.
2. Monter delene på trykanordningen i den rigtige rækkefølge, muffe, lille fjeder og derefter stopper.
3. Monter trykanordningen med de andre dele på skydelemmen.

BEMÆRK:

- Når du trækker trykanordningen af skydelemmen, kan delene inde i skydelemmen muligvis springe ud.
- Når du monterer trykanordningen med de andre dele på skydelemmen, skal du sørge for lidt afstand mellem trykanordningen og mufferne.

For at holde produktet SIKKERT og PÅLIDELIGT skal reparationer samt al anden vedligeholdelse eller justering udføres af autoriserede Makita-servicecentre, og der skal altid benyttes Makita-reservedele.

EKSTRAUDSTYR**⚠ FORSIGTIG:**

- Dette tilbehør eller ekstraudstyr anbefales til brug med det Makita-værktøj, som er beskrevet i denne brugsanvisning. Brug af andet tilbehør eller ekstraudstyr kan forårsage personskade. Brug kun tilbehør eller ekstraudstyr til det formål, det er beregnet til.

Henvend dig til dit lokale Makita-servicecenter, hvis du har brug for hjælp eller yderligere oplysninger vedrørende tilbehøret.

- Søm
- Originalt batteri og oplader fra Makita
- Beskyttelsesbriller

BEMÆRK:

- Visse dele på listen er muligvis indeholdt maskinindpakningen som standardtilbehør. De kan variere fra land til land.

Støj

ENG905-1

Det typiske A-vægtede støjniveau bestemt i overensstemmelse med EN60745:

Lydtrykniveau (L_{pA}): 79 dB (A)

Usikkerhed (K): 3 dB (A)

Støjniveauet under arbejdet kan være større end 80 dB (A).

Bær høreværn.**Vibration**

ENG904-2

Den samlede vibrationsemissionsværdi er bestemt i henhold til EN60745:

Vibrationsemission (a_{hv}): 2,5 m/s² eller mindre

Usikkerhed (K): 1,5 m/s²

ENG901-1

- Den opgivne vibrationsemissionsværdi er målt i overensstemmelse med standardtestmetoden og kan bruges til at sammenligne et værktøj med et andet.
- Den opgivne vibrationsemissionsværdi kan muligvis også bruges til en indledende eksponeringsvurdering.

⚠ ADVARSEL:

- Vibrationsemissionen under den faktiske brug af maskinen kan afvige fra den opgivne emissionsværdi afhængigt af den måde, maskinen anvendes på.
- Sørg for at bestemme sikkerhedsforanstaltninger for beskyttelse af operatøren, som er baseret på en eksponeringsvurdering for brug under faktiske forhold (hvor alle anvendelsescyklussens dele inddrages, som f.eks. antal gange maskinen slukkes, og når den kører i tomgang ud over triggertiden).

Kun for europæiske lande

ENH003-15

EF-overensstemmelseserklæring**Makita erklærer at følgende maskine(r):**

Maskinens betegnelse:

Ledningsfri dykkerpistol

Modelnummer/type: DBN500

Overholder følgende europæiske direktiver:

2006/42/EF

De er produceret i overensstemmelse med den følgende standard eller standardiserede dokumenter:

EN60745, EN792

Den tekniske fil er i overensstemmelse med 2006/42/EF til rådighed fra:

Makita, Jan-Baptist Vinkstraat 2, 3070, Belgien

28. 4. 2015



Yasushi Fukaya
Direktør

Makita, Jan-Baptist Vinkstraat 2, 3070, Belgien

ΕΛΛΗΝΙΚΑ (Πρωτογενείς οδηγίες)

Περιγραφή γενικής όψης

1. Κόκκινη ένδειξη
2. Κουμπί
3. Κασέτα μπαταρίας
4. Δείκτης μπαταρίας
5. Ένδειξη άστρου
6. Ενδεικτικές λυχνίες
7. Κουμπί ελέγχου
8. Κλείδωμα σκανδάλης
9. Πιέστε για τη θέση κλειδώματος (Lock)
10. Πιέστε για την ελεύθερη θέση (Free)
11. Κουμπί επιλογής λειτουργίας
12. Διαδοχική λειτουργία
13. Συνεχής λειτουργία
14. Ρυθμιστής
15. Λυχνία
16. Σκανδάλη
17. Κινητήριος οδηγός (στοιχείο επαφής)
18. Μοχλός κλειδώματος
19. Κυλιόμενη θύρα
20. Κινητήριος οδηγός
21. Γεμιστήρας
22. Καρφιά
23. Προσαρμογέας μύτης
24. Προεξοχή
25. Κεντρική πλάκα
26. Στήριγμα
27. Εγκοπή
28. Αγκιστρο
29. Βίδα
30. Εξαγωνικό κλειδί
31. Τοποθετήστε το στοιχείο επαφής πάνω στο τεμάχιο εργασίας.
32. Τραβήξτε τη σκανδάλη.
33. Εξαγωνικό μπουλόνι Α
34. Εξαγωνικό μπουλόνι Β
35. Εξαγωνικό μπουλόνι Γ
36. Καπάκι κινητήριου οδηγού
37. Καρφή
38. Νοτισμένο
39. Ζεστό
40. Εξαγωνικό μπουλόνι
41. Ωθητής
42. Περιβλήμα
43. Ελατήριο (μεγάλο)
44. Ελατήριο (μικρό)
45. Αναστολέας

ΠΡΟΔΙΑΓΡΑΦΕΣ

Μοντέλο	DBN500	
Μέγεθος ακέφαλου καρφιού	18Ga x 15, 20, 25, 30, 32, 35, 38, 40, 45, 50 mm	
Χωρητικότητα γεμιστήρα ακέφαλων καρφιών	100 τεμ.	
Διαστάσεις (Μ x Π x Υ)	294 mm x 97 mm x 318 mm	
Ονομαστική τιμή τάσης	D.C. 18 V	
Καθαρό βάρος	3,3 kg	3,5 kg
Κανονικές κασέτες μπαταριών	BL1815/BL1815N/BL1820/ BL1820B	BL1830/BL1840/BL1840B/ BL1850/BL1850B

- Λόγω του συνεχόμενου προγράμματος που εφαρμόζουμε για έρευνα και ανάπτυξη, τα τεχνικά χαρακτηριστικά στο παρόν έντυπο υπόκεινται σε αλλαγή χωρίς προειδοποίηση.
- Τα τεχνικά χαρακτηριστικά και η μπαταρία ενδέχεται να διαφέρουν από χώρα σε χώρα.
- Βάρος μαζί με την μπαταρία σύμφωνα με τη διαδικασία της ΕΡΤΑ 01/2003

Σύμβολα

END311-1

Παρακάτω παρουσιάζονται τα σύμβολα που χρησιμοποιούνται για τον εξοπλισμό. Βεβαιωθείτε ότι κατανοείτε τη σημασία τους πριν από τη χρήση.



..... Διαβάστε το εγχειρίδιο οδηγιών.



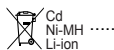
..... Να φοράτε γυαλιά προστασίας.



..... Μη χρησιμοποιείτε σε σκαλωσιές ή σκάλες.



..... Κρατήστε τα δάκτυλά σας μακριά από τη σκανδάλη όταν δεν καρφώνετε συνδετήρες για την αποφυγή της τυχαίας εκपुरσκορότησης.



..... Μόνο για τις χώρες της ΕΕ
Μην απορρίπτετε τον ηλεκτρικό εξοπλισμό ή την μπαταρία μαζί με τα οικιακά απορρίμματα!

Σύμφωνα με την Ευρωπαϊκή Οδηγία περί απορριμμάτων ηλεκτρικών, ηλεκτρονικών συσκευών, μπαταριών και συσσωρευτών και των απορριμμάτων μπαταριών και συσσωρευτών και την ενσωμάτωσή τους στην εθνική νομοθεσία, οι ηλεκτρικές συσκευές, οι μπαταρίες και οι κασέτες μπαταριών, των οποίων έχει παρέλθει ο χρόνος ωφέλιμης ζωής τους, πρέπει να συλλέγονται ξεχωριστά και να επιστρέφονται σε εγκαταστάσεις περιβαλλοντικής ανακύκλωσης.

Προοριζόμενη χρήση

Το εργαλείο προορίζεται για εργασίες στερέωσης εσωτερικού χώρου ή επίπλων.

ENE073-1

Γενικές Προειδοποιήσεις Ασφαλείας Του Ηλεκτρικού Εργαλείου

GEA010-1

⚠️ ΠΡΟΕΙΔΟΠΟΙΗΣΗ Διαβάστε όλες τις προειδοποιήσεις ασφαλείας και όλες τις οδηγίες. Αν δεν ακολουθήσετε όλες τις προειδοποιήσεις και τις οδηγίες, υπάρχει κίνδυνος ηλεκτροπληξίας, πυρκαγιάς ή/και σοβαρού τραυματισμού.

Φυλάξτε όλες τις προειδοποιήσεις και τις οδηγίες για μελλοντική αναφορά.

ΠΡΟΕΙΔΟΠΟΙΗΣΕΙΣ ΑΣΦΑΛΕΙΑΣ ΤΟΥ ΑΣΥΡΜΑΤΟΥ ΚΑΡΦΩΤΙΚΟΥ ΠΙΣΤΟΛΙΟΥ

GBE117-2

1. **Να θεωρείτε πάντοτε ότι το εργαλείο περιέχει συνδετήρες.** Ο απρόσεκτος χειρισμός του καρφωτικού πιστολιού μπορεί να έχει ως αποτέλεσμα την απροσδόκητη εκτόξευση συνδετήρων και τον τραυματισμό.
2. **Μη στοχεύετε το εργαλείο πάνω σας ή προς άλλα κοντινά άτομα.** Ένα κατά λάθος πάτημα της σκανδάλης θα εκτοξεύσει το συνδετήρα προκαλώντας τραυματισμό.
3. **Μην ενεργοποιείτε το εργαλείο εκτός αν βρίσκεται τοποθετημένο σταθερά επάνω στο τεμάχιο εργασίας.** Αν το εργαλείο δεν έχει επαφή με το τεμάχιο εργασίας, ο συνδετήρας μπορεί να εξοστρακιστεί από το στόχο σας.
4. **Αποσυνδέστε το εργαλείο από το ρεύμα όταν ο συνδετήρας κολλήσει στο εργαλείο.** Όταν αφαιρεθεί ένα κολλημένο συνδετήρα, το καρφωτικό πιστόλι μπορεί να ενεργοποιηθεί κατά λάθος αν είναι συνδεδεμένο στο ρεύμα.
5. **Να είστε προσεκτικοί κατά την αφαίρεση ενός κολλημένου συνδετήρα.** Ο μηχανισμός μπορεί να βρίσκεται υπό πίεση και να εκτοξευτεί ο συνδετήρας όσο προσπαθείτε να ελευθερώσετε το κολλημα.
6. **Μη χρησιμοποιείτε αυτό το καρφωτικό πιστόλι για τη στερέωση ηλεκτρικών καλωδίων.** Δεν έχει σχεδιαστεί για την εγκατάσταση ηλεκτρικών καλωδίων και ενδέχεται να προκαλέσει ζημιά στη μόνωση των ηλεκτρικών καλωδίων, προκαλώντας κίνδυνο ηλεκτροπληξίας ή πυρκαγιάς.
7. **Να φοράτε πάντα προστατευτικά γυαλιά ή γυαλιά ασφαλείας με πλαϊνό προστατευτικό και πλήρες προστατευτικό προσώπου όταν είναι απαραίτητο.**
8. **Να κρατάτε τα χέρια και τα πόδια σας μακριά από την περιοχή της θύρας εκτίναξης.**
9. **Να ακολουθείτε τις οδηγίες για τη λίπανση και την αλλαγή των αξεσουάρ.**
10. **Να αφαιρείτε πάντα τη μπαταρία πριν το γέμισμα του μηχανήματος με συνδετήρες, πριν από τη ρύθμιση, εξέταση ή συντήρηση του μηχανήματος ή μετά το τέλος της χρήσης του.**
11. **Να βεβαιώνετε ότι δεν βρίσκεται κανένας κοντά πριν από τη χρήση. Ποτέ μην επιχειρήσετε να καρφώσετε συνδετήρες ταυτόχρονα από την εσωτερική και από την εξωτερική πλευρά του**

τοίχου. Οι συνδετήρες μπορεί να διαπεράσουν το μέσο ή/και να εκτιναχθούν, γεγονός που προκαλεί σοβαρό κίνδυνο.

12. **Να προσέχετε ώστε να στέκεστε καλά και να διατηρείτε την ισορροπία σας όταν χρησιμοποιείτε το εργαλείο.** Βεβαιωθείτε πως δεν υπάρχει κανένας από κάτω όταν εργάζεστε σε ψηλό μέρος.
13. **Ποτέ μη χρησιμοποιήσετε καρφωτικά εργαλεία που φέρουν την ένδειξη “Μη χρησιμοποιείτε σε σκαλωσιές ή σκάλες” για ειδικές εφαρμογές όπως για παράδειγμα:**
 - όταν κατά την αλλαγή από μια τοποθεσία καρφώματος σε μια άλλη χρησιμοποιούνται σκαλωσιές, σκαλοπάτια, σκάλες ή άλλες παρόμοιες κατασκευές, π.χ. σανίδες σκεπών,
 - κατά το κλείσιμο κιβωτίων ή τελάρων,
 - κατά την εφαρμογή συστημάτων ασφαλείας μεταφορών π.χ. σε οχήματα και βαγόνια.
14. **Να ελέγχετε προσεκτικά τους τοίχους, τις οροφές, τα πατώματα, τις στέγες και παρόμοιες κατασκευές για να αποφεύγετε πιθανή ηλεκτροπληξία, διαρροή αερίου, εκρήξεις, κτλ. που προκαλούνται από συρραφή σε ηλεκτροφόρα καλώδια, αγωγούς ή σωλήνες αερίου.**
15. **Να χρησιμοποιείτε μόνο συνδετήρες που καθορίζονται στο εγχειρίδιο αυτό. Αν χρησιμοποιήσετε άλλους συνδετήρες, μπορεί να προκληθεί δυσλειτουργία του εργαλείου.**
16. **Μην παίζετε με το εργαλείο και μην επιχειρήσετε να το χρησιμοποιήσετε για άλλο σκοπό εκτός από το κάρφωμα συνδετήρων.**
17. **Μη θέτετε το εργαλείο σε λειτουργία χωρίς τους συνδετήρες.** Η ενέργεια αυτή μειώνει τη διάρκεια ζωής του εργαλείου.
18. **Σταματήστε αμέσως τις λειτουργίες καρφώματος αν παρατηρήσετε ότι κάτι δεν πάει καλά ή είναι ασυνήθιστο με το εργαλείο.**
19. **Ποτέ να μην καρφώσετε το συνδετήρα σε οποιαδήποτε υλικό το οποίο μπορεί να προκαλέσει το σπάσιμο του συνδετήρα και την εκτόξευσή του ως βλήμα.**
20. **Ποτέ μην ενεργοποιείτε ταυτόχρονα την σκανδάλη-διακόπτη και το μοχλό ασφαλείας μέχρι τη στιγμή που είστε έτοιμοι να καρφώσετε τους συνδετήρες σε τεμάχια εργασίας. Επιτρέψτε στο τεμάχιο εργασίας να πιέσει το μοχλό ασφαλείας. Ποτέ μην παραβιάζετε το σκοπό του ασφαλιζοντας το μοχλό ασφαλείας προς τα πίσω ή πιέζοντάς τον με το χέρι.**
21. **Ποτέ μην πειράζετε το μοχλό ασφαλείας. Ελέγχετε τακτικά το μοχλό ασφαλείας για να δείτε πως λειτουργεί σωστά.**
22. **Πάντοτε να αφαιρείτε τους συνδετήρες από το εργαλείο όταν δεν χρησιμοποιείται.**

ΦΥΛΑΞΤΕ ΑΥΤΕΣ ΤΙΣ ΟΔΗΓΙΕΣ.

⚠️ ΠΡΟΕΙΔΟΠΟΙΗΣΗ:

ΜΗΝ επιτρέψετε στη βολικότητα ή στην εξοικειώσή σας με το προϊόν (που αποκτήθηκε από επανειλημμένη χρήση) να αντικαταστήσει την αυστηρή προσήλωση στους κανόνες ασφαλείας του

εν λόγω προϊόντος. Η ΛΑΝΘΑΣΜΕΝΗ ΧΡΗΣΗ ή η μη τήρηση των κανόνων ασφαλείας που διατυπώνονται στο παρόν εγχειρίδιο οδηγιών μπορεί να προκαλέσει σοβαρό τραυματισμό.

ΣΗΜΑΝΤΙΚΕΣ ΟΔΗΓΙΕΣ ΑΣΦΑΛΕΙΑΣ

ENC007-9

ΓΙΑ ΤΗΝ ΜΠΑΤΑΡΙΑ

1. Πριν χρησιμοποιήσετε την μπαταρία, διαβάστε όλες τις οδηγίες και τις ενδείξεις προφύλαξης στο (1) φορτιστή μπαταρίας, (2) την μπαταρία και (3) το προϊόν στο οποίο χρησιμοποιείται η μπαταρία.
2. Μην αποσυναρμολογείτε την μπαταρία.
3. Αν ο χρόνος λειτουργίας της μπαταρίας είναι υπερβολικά σύντομος, διακόψτε αμέσως τη λειτουργία. Αν συνεχίσετε, μπορεί να έχει ως αποτέλεσμα τον κίνδυνο υπερθέρμανσης, πιθανών εγκαυμάτων και ακόμη έκρηξης.
4. Αν μπει στα μάτια σας ηλεκτρολύτης, ξεπλύνετε με καθαρό νερό και αναζητήστε αμέσως ιατρική βοήθεια. Μπορεί να χάσετε την όρασή σας.
5. Μην βραχυκυκλώνετε την μπαταρία:
 - (1) Μην αγγίζετε τους ακροδέκτες με αγώγιμο υλικό.
 - (2) Μην αποθηκεύετε την μπαταρία σε δοχείο με άλλα μεταλλικά αντικείμενα, όπως καρφιά, νομίσματα, κτλ.
 - (3) Μην εκθέτετε την μπαταρία σε νερό ή βροχή. Αν βραχυκυκλωθεί η μπαταρία, μπορεί να προκληθεί μεγάλη ροή ηλεκτρικού ρεύματος, υπερθέρμανση, πιθανά εγκαύματα και ακόμη και καταστροφή της μπαταρίας.
6. Μην αποθηκεύετε το εργαλείο και την μπαταρία σε μέρη όπου η θερμοκρασία μπορεί να φτάσει ή να ξεπεράσει τους 50°C (122°F).
7. Μην αποπεφρώνετε την μπαταρία ακόμη κι αν παρουσιάζει σοβαρή ζημιά ή είναι εντελώς φθαρμένη. Η μπαταρία μπορεί να εκραγεί σε φωτιά.
8. Να προσέχετε να μη σας πέσει η μπαταρία και να μη συγκρουστεί με κάποιο αντικείμενο.
9. Μην χρησιμοποιείτε μια μπαταρία που έχει υποστεί βλάβη.
10. Ακολουθήστε τους τοπικούς κανονισμούς σχετικά με την απόρριψη της μπαταρίας.

ΦΥΛΑΞΤΕ ΑΥΤΕΣ ΤΙΣ ΟΔΗΓΙΕΣ.

Συμβουλές για τη διατήρηση της μέγιστης ζωής της μπαταρίας

1. Να φορτίζετε την μπαταρία πριν αποφορτιστεί εντελώς. Πάντοτε να διακόπτετε τη λειτουργία του εργαλείου και να φορτίζετε την μπαταρία όταν παρατηρείται μειωμένη ισχύ του εργαλείου.
2. Ποτέ μην επαναφορτίζετε μια πλήρως φορτισμένη μπαταρία. Αν υπερφορτίσετε την μπαταρία, μειώνεται η ωφέλιμη διάρκεια ζωής της.
3. Να φορτίζετε την μπαταρία σε θερμοκρασία δωματίου, δηλαδή στους 10°C έως 40°C (50°F έως

104°F). Αν η μπαταρία είναι θερμή, αφήστε την να ψυχθεί πριν τη φορτίσετε.

4. Φορτίστε την κασέτα μπαταρίας εάν δεν πρόκειται να την χρησιμοποιήσετε για περισσότερους από έξι μήνες.

ΠΕΡΙΓΡΑΦΗ ΛΕΙΤΟΥΡΓΙΑΣ

⚠ ΠΡΟΣΟΧΗ:

- Να βεβαιώνετε πάντοτε ότι έχετε σβήσει το εργαλείο και έχετε βγάλει την μπαταρία πριν ρυθμίσετε ή ελέγξετε κάποια λειτουργία του εργαλείου.

Τοποθέτηση ή αφαίρεση της κασέτας μπαταρίας (Εικ. 1)

⚠ ΠΡΟΣΟΧΗ:

- Πάντοτε να απενεργοποιείτε το εργαλείο πριν από την τοποθέτηση ή την αφαίρεση της κασέτας μπαταρίας.
- Κρατήστε το εργαλείο και την κασέτα μπαταρίας γερά κατά την τοποθέτηση ή την αφαίρεση της κασέτας μπαταρίας. Εάν δεν κρατήσετε το εργαλείο και την κασέτα μπαταρίας καλά μπορεί να γλιστρήσουν από τα χέρια σας και να προκληθεί ζημιά στο εργαλείο και στην κασέτα μπαταρίας αλλά και προσωπικός τραυματισμός.

Για να βγάλετε την κασέτα μπαταρίας, σύρετε την από το εργαλείο ολισθαίνοντας το κουμπί στο μπροστινό μέρος της κασέτας.

Για να τοποθετήσετε την κασέτα μπαταρίας, ευθυγραμμίστε τη γλωττίδα της κασέτας μπαταρίας με την εγκοπή στο περίβλημα και ολισθήστε τη στη θέση της. Τοποθετήστε τη έως το τέρμα, δηλαδή έως ότου ασφαλίσει στη θέση και ακουστεί ένας χαρακτηριστικός ήχος "κλικ". Αν μπορείτε να δείτε την κόκκινη ένδειξη στην πάνω πλευρά του κουμπιού, η μπαταρία δεν είναι πλήρως ασφαλισμένη.

⚠ ΠΡΟΣΟΧΗ:

- Πάντοτε να τοποθετείτε την κασέτα μπαταρίας πλήρως για να μη φαίνεται η κόκκινη ένδειξη. Σε αντίθετη περίπτωση, μπορεί να πέσει κατά λάθος από το εργαλείο και να τραυματίσει εσάς ή κάποιον παρευρισκόμενο.
- Μην εισαγάγετε με τη βία την κασέτα μπαταρίας. Αν η κασέτα δεν ολισθαίνει με ευκολία, δεν την εισαγάγετε σωστά.

Σύστημα προστασίας εργαλείου/ μπαταρίας

Το εργαλείο είναι εφοδιασμένο με ένα σύστημα προστασίας εργαλείου/μπαταρίας. Αυτό το σύστημα διακόπτει αυτόματα το ρεύμα στον κινητήρα για να παρατηνείται η διάρκεια ζωής του εργαλείου και της μπαταρίας.

Το εργαλείο θα σταματήσει αυτόματα κατά τη λειτουργία όταν το εργαλείο ή η μπαταρία υποστούν μια από τις παρακάτω συνθήκες. Σε ορισμένες περιπτώσεις ανάβουν οι δείκτες. (Εικ. 2)

Προστασία υπερφόρτωσης για το εργαλείο

Όταν το εργαλείο έχει υπερθερμανθεί, το εργαλείο σταματά αυτόματα και ο δείκτης αναβοσβήνει για περίπου 60 δευτερόλεπτα. Στην περίπτωση αυτή, αφήστε το

εργαλείο να κρυώσει πριν ενεργοποιήσετε ξανά το εργαλείο.

Προστασία υπερφόρτωσης για τη μπαταρία

Όταν η μπαταρία έχει υπερθερμανθεί, το εργαλείο σταματά αυτόματα και ο δείκτης της μπαταρίας ανάβει για περίπου 60 δευτερόλεπτα. Το εργαλείο δεν ξεκινά ακόμη και αν τραβήξετε τη σκανδάλη-διακόπτη. Στην περίπτωση αυτή, αφήστε τη μπαταρία να κρυώσει πριν ενεργοποιήσετε ξανά το εργαλείο.

ΣΗΜΕΙΩΣΗ:

Η προστασία από την υπερθέρμανση της μπαταρίας λειτουργεί μόνο με μια κασέτα μπαταρίας που έχει την ένδειξη άστρου. (Εικ. 3)








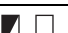



Προστασία έναντι της υπερ-εκφόρτισης

Όταν η εναπομένουσα χωρητικότητα της μπαταρίας είναι χαμηλή, αναβοσβήνει ο δείκτης. Αν συνεχιστεί η χρήση, το εργαλείο σταματά και ανάβει ο δείκτης για 60 δευτερόλεπτα περίπου. Σε αυτήν την περίπτωση, φορτίστε την κασέτα μπαταρίας.

Ένδειξη της εναπομένουσας χωρητικότητας της μπαταρίας

(Μόνο για τις κασέτες μπαταρία με "B" στο τέλος του αριθμού μοντέλου.) (Εικ. 4)

Πατήστε το κουμπί ελέγχου στην κασέτα μπαταρίας για να εμφανιστεί η υπολειπόμενη χωρητικότητα της μπαταρίας. Οι ενδεικτικές λυχνίες θα ανάψουν για μερικά δευτερόλεπτα.

Ενδεικτικές λυχνίες			Εναπομένουσα χωρητικότητα
 Αναμμένες	 Σβηστές	 Αναβοσβήνουν	
			75% έως 100%
			50% έως 75%
			25% έως 50%
			0% έως 25%
			Φορτίστε τη μπαταρία.
			Η μπαταρία μπορεί να δυσλειτουργεί.

015658

ΣΗΜΕΙΩΣΗ:

- Ανάλογα με τις συνθήκες χρήσης και τη θερμοκρασία περιβάλλοντος, η ένδειξη μπορεί να διαφέρει ελαφρώς από την πραγματική χωρητικότητα.

Χρήση του κλειδώματος σκανδάλης

⚠ ΠΡΟΣΟΧΗ:

- Όταν δεν βρίσκεται σε χρήση ή μετά το χειρισμό του εργαλείου, πάντοτε να ασφαλιζέται την σκανδάλη με το κλειδί σκανδάλης. (Εικ. 5)

Το εργαλείο διαθέτει κλειδίωμα σκανδάλης για να αποφεύγονται τα ατυχήματα εξαιτίας μιας αθέλητης εκκίνησης. Το κλειδίωμα σκανδάλης καθιστά ακίνητη την σκανδάλη και δεν επιτρέπει την πυροδότηση του εργαλείου.

Για να κλειδώσετε τη σκανδάλη, στρέψτε το κουμπί κλειδώματος στη θέση "LOCK".

Πριν από το κάρφωμα, τοποθετήστε το κουμπί κλειδώματος στη θέση "FREE". Όταν δεν βρίσκεται σε λειτουργία, να το θέτετε πάντοτε στη θέση "LOCK" και να αποσυνδέσετε την κασέτα μπαταρίας από το εργαλείο.

Επιλογή θέσης λειτουργίας καρφώματος (Εικ. 6)

Το εργαλείο διαθέτει δυο διαφορετικές θέσεις λειτουργίας καρφώματος. Επιλέξτε το επιθυμητό κάρφωμα μέσω του κουμπιού επιλογής λειτουργίας. Για περισσότερες λεπτομέρειες, δείτε την ενότητα "ΛΕΙΤΟΥΡΓΙΑ".

Διακοπτόμενο κάρφωμα (διαδοχική λειτουργία)

Αυτή η λειτουργία βολεύει για το κάρφωμα καρφιού με προσοχή και ακρίβεια.

Συνεχές/διακοπτόμενο κάρφωμα (συνεχής λειτουργία)

Όταν το εργαλείο βρίσκεται σε αυτή τη λειτουργία, μπορείτε να επιλέξετε είτε το συνεχές είτε το διακοπτόμενο κάρφωμα με τη διαδοχική λειτουργία της σκανδάλης.

Προσαρμογή του βάθους καρφώματος

⚠ ΠΡΟΕΙΔΟΠΟΙΗΣΗ:

- Πάντα να σιγουρεύεστε ότι τα δάχτυλά σας δεν είναι τοποθετημένα πάνω στη σκανδάλη και ότι η κασέτα μπαταρίας και τα καρφιά έχουν αφαιρεθεί. (Εικ. 7)
- Για να αποκτήσετε μικρότερο βάθος, γυρίστε το ρυθμιστή A προς τη δεξιά κατεύθυνση όπως δείχνεται στην εικόνα. Για να γίνει το βάθος μεγαλύτερο, γυρίστε το ρυθμιστή προς την κατεύθυνση B.
- Μην περιστρέψετε τον ρυθμιστή υπερβολικά γιατί σε διαφορετική περίπτωση μπορεί να μπλοκάρει.

Άναμμα της λυχνίας

⚠ ΠΡΟΣΟΧΗ:

- Μην κοιτάτε κατευθείαν μέσα στο φως ή στην πηγή του φωτός. (Εικ. 8)
- Για να ανάψετε τη λυχνία, τραβήξτε τη σκανδάλη ή τοποθετήστε το στοιχείο επαφής επάνω στο τεμάχιο εργασίας. Για να την σβήσετε, αφήστε τη σκανδάλη ή απομακρυνθείτε από το στοιχείο επαφής.
- Η λυχνία σβήνει σε 10 δευτερόλεπτα μετά την ελευθέρωση της σκανδάλης ή την απομάκρυνση του στοιχείου επαφής από το τεμάχιο εργασίας.

ΣΗΜΕΙΩΣΗ:

- Χρησιμοποιήστε ένα στεγνό πανί για να σκουπίσετε τη σκόνη από το φακό της λυχνίας. Προσέχετε να μη γρατσουνίσετε το φακό της λυχνίας, επειδή μπορεί να μειωθεί η ένταση του φωτισμού.
- Ακόμα και αν η λυχνία ανάβει όταν η μπαταρία είναι πεσμένη, το καρφωτικό πιστόλι ίσως να μην μπορεί να εκτοξεύσει καρφιά. Σε αυτήν την περίπτωση, φορτίστε τη μπαταρία.

ΣΥΝΑΡΜΟΛΟΓΗΣΗ

ΠΡΟΣΟΧΗ:

- Να βεβαιώνετε πάντα πως τα δάχτυλά σας δεν έχουν τοποθετηθεί στη σκανδάλη και πως έχει αφαιρεθεί η κασέτα μπαταρίας και τα καρφιά πριν πραγματοποιήσετε οποιαδήποτε εργασία στο καρφωτικό πιστόλι.

Φόρτωση ή εκφόρτωση καρφιών.

ΠΡΟΣΟΧΗ:

- Πάντα να σιγουρεύεστε ότι τα δάχτυλά σας δεν είναι τοποθετημένα πάνω στη σκανδάλη και ότι η κασέτα μπαταρίας έχει αφαιρεθεί πριν τη φόρτωση των καρφιών.
- Μην κυλάτε απότομα την κυλιόμενη θύρα του καρφωτικού πιστολιού όταν είναι γεμάτο με καρφιά. Το κατά λάθος πέσιμο καρφιών, ειδικά όταν εργάζεστε σε υψηλά μέρη, ενδέχεται να προκαλέσει τραυματισμό.
- Φορτώνετε τα καρφιά στη σωστή κατεύθυνση. Η φόρτωση σε λάθος κατεύθυνση ενδέχεται να προκαλέσει πρόωρη φθορά του οδηγού και ζημιά στα υπόλοιπα μέρη του εργαλείου.
- Μη χρησιμοποιείτε παραμορφωμένα συνδεδεμένα καρφιά. Να χρησιμοποιείτε τα καρφιά που καθορίζονται στο εγχειρίδιο αυτό. Η χρήση καρφιών εκτός από τα καθορισμένα ενδέχεται να προκαλέσει κόλληση των καρφιών και ζημιά στο καρφωτικό πιστόλι.

Πιέστε το μοχλό κλειδώματος και ανοίξτε την κυλιόμενη θύρα του γεμιστήρα. **(Εικ. 9)**

Ρυθμίστε την ταϊνία των καρφιών, έτσι ώστε οι άκρες των καρφιών να αγγίζουν τη βάση της σχισμής του γεμιστήρα και σύρετε την ταϊνία των καρφιών προς το άνοιγμα πυροδότησης.

Επαναφέρετε την κυλιόμενη θύρα στην αρχική θέση έως ότου να την ασφαλίσει ο μοχλός κλειδώματος. Για να αφαιρέσετε τα καρφιά, πιέστε το μοχλό κλειδώματος και ολισθήστε την κυλιόμενη θύρα. Βγάλτε τα καρφιά από τη σχισμή του γεμιστήρα. **(Εικ. 10)**

Προσαρμογές μύτης

ΠΡΟΣΟΧΗ:

- Πάντα να σιγουρεύεστε ότι τα δάχτυλά σας δεν είναι τοποθετημένα πάνω στη σκανδάλη και ότι η κασέτα μπαταρίας και τα καρφιά έχουν αφαιρεθεί πριν την τοποθέτηση του προσαρμογέα της μύτης. **(Εικ. 11)**

Όταν εκτοξεύετε καρφιά στο υλικό που θα δεθεί με επιφάνειες που παραμορφώνονται εύκολα, να χρησιμοποιείτε τον προσαρμογέα μύτης. Για να εγκαταστήσετε τον προσαρμογέα μύτης, τοποθετήστε πάνω στην κεντρική πλάκα, ώστε η προεξοχή στο εσωτερικό του προσαρμογέα μύτης να ταιριάζει στη σχισμή στο καπάκι του κινητήριου οδηγού.

Όταν δε χρησιμοποιείται, αποθηκεύετε τον προσαρμογέα μύτης στο στήριγμα στο πίσω άκρο της κυλιόμενης θύρας για να μη χαθεί. Συνολικά μπορούν να αποθηκευτούν δύο προσαρμογείς μύτης.

Άγκιστρο

ΠΡΟΣΟΧΗ:

- Πάντα να σιγουρεύεστε ότι τα δάχτυλά σας δεν είναι τοποθετημένα πάνω στη σκανδάλη και ότι η κασέτα

μπαταρίας και τα καρφιά έχουν αφαιρεθεί πριν από τη χρήση του άγκιστρου.

- Μην κρεμάτε το άγκιστρο από τη ζώνη της μέσης. Αν το άγκιστρο φύγει τυχαία από τη θέση του και προκαλέσει το πέσιμο του καρφωτικού πιστολιού, μπορεί να υπάρξει κατά λάθος εκτόξευση και να προκληθεί προσωπικός τραυματισμός. **(Εικ. 12)**

Το άγκιστρο χρησιμεύει για το προσωρινό κρέμασμα του εργαλείου. Μπορείτε να το τοποθετήσετε σε οποιαδήποτε πλευρά του εργαλείου.

Για να τοποθετήσετε το άγκιστρο, βάλτε το σε μια εγκοπή στο περίβλημα του εργαλείου σε οποιαδήποτε πλευρά του και κατόπιν ασφαλίστε το με μια βίδα. Για να το βγάλετε, χαλαρώστε τη βίδα και κατόπιν αφαιρέστε το. **(Εικ. 13)**

Αποθήκευση εξαγωγικού κλειδιού **(Εικ. 14)**

Όταν δεν χρησιμοποιείτε το εξαγωγικό κλειδί, αποθηκεύστε το, όπως απεικονίζεται, για να μην το χάσετε.

ΛΕΙΤΟΥΡΓΙΑ

Έλεγχος λειτουργίας της σκανδάλης

ΠΡΟΣΟΧΗ:

- Βεβαιωθείτε ότι η σκανδάλη βρίσκεται σε λειτουργική κατάσταση πριν από κάθε λειτουργία. Αν συναντήσετε θέματα που περιγράφονται παρακάτω, επικοινωνήστε με τα εξουσιοδοτημένα κέντρα σέρβις της Makita για επισκευές.

- Πριν την τοποθέτηση της μπαταρίας στο εργαλείο, πάντοτε να ελέγχετε ότι η σκανδάλη-διακόπτης ενεργοποιείται κανονικά και επιστρέφει στη θέση "OFF" όταν την αφήνετε.

Το εργαλείο δεν πρέπει να λειτουργεί τραβώντας μόνο τη σκανδάλη ή τοποθετώντας μόνο το στοιχείο επαφής πάνω στο τεμάχιο εργασίας.

Κάρφωμα καρφιών

ΠΡΟΣΟΧΗ:

- Να είστε πάντα βέβαιοι ότι πρώτα έχετε τοποθετήσει το στοιχείο επαφής πάνω στο τεμάχιο εργασίας πριν τραβήξετε τη σκανδάλη.

Επιλέξτε τη λειτουργία καρφώματος πιέζοντας το κουμπί επιλογής θέσης λειτουργίας όπως αναφέρετε στην ενότητα "Επιλογή θέσης λειτουργίας καρφώματος".

Διακοπόμενο κάρφωμα (διαδοχική λειτουργία) **(Εικ. 15)**

Για να καρφώσετε ένα καρφί, τοποθετήστε το κουμπί κλειδώματος στη θέση "FREE". Τοποθετήστε το στοιχείο επαφής πάνω στο τεμάχιο εργασίας και τραβήξτε τη σκανδάλη. Αφήστε τη σκανδάλη μετά από κάθε λειτουργία.

Συνεχές/ διακοπόμενο κάρφωμα (συνεχής λειτουργία) **(Εικ. 16)**

Όταν το εργαλείο βρίσκεται στη συνεχή λειτουργία, μπορείτε να χρησιμοποιήσετε είτε το συνεχές είτε το διακοπόμενο κάρφωμα.

Για να καρφώσετε ένα καρφί, τοποθετήστε το κουμπί κλειδώματος στη θέση "FREE".

- Για συνεχές κάρφωμα, τραβήξτε πρώτα τη σκανδάλη και κατόπιν να τοποθετήσετε το στοιχείο επαφής επάνω στο τεμάχιο εργασίας. Για την επόμενη ενεργοποίηση, δεν απαιτείται να αφήσετε τη σκανδάλη.
- Για διακοπτόμενο κάρφωμα, τοποθετήστε το στοιχείο επαφής πάνω στο τεμάχιο εργασίας και τραβήξτε τη σκανδάλη. Για την επόμενη ενεργοποίηση, θα πρέπει να επαναφέρετε την σκανδάλη πρώτα.

ΣΗΜΕΙΩΣΗ:

- Αυτό το εργαλείο σταματά αυτόματα υπό τις ακόλουθες συνθήκες:
- Αν αφήσετε τη σκανδάλη ή το στοιχείο επαφής από το τεμάχιο εργασίας πριν το εργαλείο ολοκληρώσει εντελώς τη λειτουργία.
Σε αυτήν την περίπτωση, τραβήξτε τη σκανδάλη ξανά μέχρι το εργαλείο να μεταβεί στην κατάσταση αναμονής.
- Όταν περάσουν περίπου 5 δευτερόλεπτα χωρίς το τράβηγμα της σκανδάλης ή την τοποθέτηση του στοιχείου επαφής.
Σε αυτήν την περίπτωση, αφήστε τη σκανδάλη ή το στοιχείο επαφής από το τεμάχιο εργασίας να ξεκινήσετε ξανά τη λειτουργία.

Μηχανισμός προστασίας από τη συρραφή χωρίς καρφιά

Το εργαλείο αυτό είναι εξοπλισμένο με μηχανισμό προστασίας από το κάρφωμα χωρίς καρφιά. Σταματά αυτόματα το κάρφωμα καρφιών όταν τελειώσουν τα εναπομένοντα καρφιά. Στην περίπτωση αυτή φορτώστε περισσότερα καρφιά για να ξεκινήσει ξανά η λειτουργία.

Αφαίρεση μπλοκαρισμένων καρφιών

⚠ ΠΡΟΕΙΔΟΠΟΙΗΣΗ:

- Να βεβαιώνετε πάντα ότι έχει ελευθερωθεί η σκανδάλη και έχει αφαιρεθεί η κασέτα μπαταρίας και τα καρφιά πριν από την αφαίρεση των μπλοκαρισμένων καρφιών.

Αφαιρέστε τα εξαγωνικά μπουλόνια που στερεώνουν το καπάκι του κινητήριου οδηγού με το εξαγωνικό κλειδί. Βγάλετε τα καρφιά που έχουν μπλοκάρει από την εγκοπή του οδηγού καρφώματος η οποία εμφανίστηκε.

Στερεώστε το καπάκι του κινητήριου οδηγού με τα εξαγωνικά μπουλόνια στη σωστή σειρά. Σφίξτε τα εξαγωνικά μπουλόνια Α, Β και μετά το Γ. **(Εικ. 17)**

ΣΗΜΕΙΩΣΗ:

- Μετά την στερέωση του καπακιού του κινητήριου οδηγού, πάντοτε να βεβαιώνετε ότι το καπάκι του κινητήριου οδηγού ενεργοποιείται σωστά. Αν δεν ενεργοποιείται κανονικά, αφαιρέστε τα εξαγωνικά μπουλόνια και εγκαταστήστε ξανά το καπάκι του κινητήριου οδηγού.

Καρφιά (Εικ. 18)

Να χειρίζεστε καρφιά και το κουτί τους προσεκτικά. Αν ο χειρισμός των καρφιών γίνει με ακατάλληλο τρόπο, μπορεί να χάσουν το σχήμα τους ή να σπάσει το συνδετικό τους με αποτέλεσμα την ανεπαρκή τροφοδοσία καρφιών.

Αποφύγετε να αποθηκεύετε καρφιά σε μέρη με πολύ υγρασία ή υψηλή θερμοκρασία ή σε μέρη που είναι εκτεθειμένα στο άμεσο ηλιακό φως. **(Εικ. 19)**

ΣΥΝΤΗΡΗΣΗ

⚠ ΠΡΟΣΟΧΗ:

- Να βεβαιώνετε πάντοτε ότι έχετε σβήσει το εργαλείο και έχετε βγάλει την κασέτα μπαταρίας και τα καρφιά πριν εκτελέσετε οποιαδήποτε εργασία ελέγχου ή συντήρησης σε αυτό.
- Μην χρησιμοποιήσετε βενζίνη, βενζόλη, διαλυτικό, αλκοόλη ή κάτι παρόμοιο. Μπορεί να προκληθεί αποχρωματισμός, παραμόρφωση ή ρωγμές.

Καθάρισμα του γεμιστήρα

Όταν ο ωθητής στο γεμιστήρα δεν κινείται ομαλά, λόγω σκόνης, άμμου, μικρών τεμαχίων ή άλλων ξένων ουσιών, καθαρίστε το γεμιστήρα.

Για να αφαιρέσετε την κλιόμενη θύρα, ξεσφίξτε το

εξαγωνικό μπουλόνι του γεμιστήρα. **(Εικ. 20)**

Τραβήξτε τον ωθητή από την κλιόμενη θύρα και αφαιρέστε τον αναστολέα, τα περιβλήματα και τα ελατήρια.

Μετά το καθάρισμα, εγκαταστήστε όλα τα εξαρτήματα μέσα στην κλιόμενη θύρα. Για να τα εγκαταστήσετε, εκτελέστε την ακόλουθη διαδικασία. **(Εικ. 21)**

1. Εγκαταστήστε το μεγάλο ελατήριο μέσα στην κλιόμενη θύρα.
2. Εγκαταστήστε τα εξαρτήματα πάνω στον ωθητή με τη σωστή σειρά, περίβλημα, μικρό ελατήριο και στη συνέχεια αναστολέας.
3. Εγκαταστήστε τον ωθητή με τα άλλα εξαρτήματα πάνω στην κλιόμενη θύρα.

ΣΗΜΕΙΩΣΗ:

- Όταν τραβήξετε έξω τον ωθητή από την κλιόμενη θύρα, τα εξαρτήματα στην κλιόμενη θύρα μπορεί να αναπηδήσουν έξω.
- Όταν εγκαθιστάτε τον ωθητή με τα άλλα εξαρτήματα στην κλιόμενη θύρα, αφήστε μικρούς χώρους μεταξύ του ωθητή και των περιβλήματων.

Για να διατηρείται η ΑΣΦΑΛΕΙΑ και η ΑΞΙΟΠΙΣΤΙΑ του προϊόντος, οι εργασίες επισκευής, καθώς και οποιαδήποτε άλλη εργασία συντήρησης ή ρύθμισης, θα πρέπει να εκτελούνται σε εξουσιοδοτημένα κέντρα εξυπηρέτησης της Makita, και πάντοτε με τη χρήση ανταλλακτικών της Makita.

ΠΡΟΑΙΡΕΤΙΚΑ ΑΞΕΣΟΥΑΡ

⚠ ΠΡΟΣΟΧΗ:

- Συνιστάται η χρήση αυτών των αξεσουάρ ή εξαρτημάτων με το εργαλείο της Makita, όπως περιγράφεται στο παρόν εγχειρίδιο. Αν χρησιμοποιήσετε άλλα αξεσουάρ ή εξαρτήματα μπορεί να παρουσιαστεί κίνδυνος για πρόκληση τραυματισμού προσώπων. Να χρησιμοποιείτε τα αξεσουάρ και τα εξαρτήματα μόνο για το σκοπό για τον οποίο προορίζονται.

Αν χρειάζεστε κάποια βοήθεια ή περισσότερες πληροφορίες σχετικά με τα αξεσουάρ αυτά, απευθυνθείτε στο πλησιέστερο κέντρο εξυπηρέτησης της Makita.

- Καρφιά
- Αυθεντική μπαταρία και φορτιστής της Makita
- Γυαλιά προστασίας

ΣΗΜΕΙΩΣΗ:

- Ορισμένα από τα στοιχεία της λίστα μπορεί να περιέχονται στην συσκευασία του εργαλείου ως κανονικά αξεσουάρ. Αυτά ενδέχεται να διαφέρουν από χώρα σε χώρα.

Θόρυβος

ENG905-1

Το σύνθετες σταθμισμένο επίπεδο θορύβου που έχει καθοριστεί σύμφωνα με την EN60745:

Επίπεδο ηχητικής πίεσης (L_{pA}): 79 dB (A)

Αβεβαιότητα (K): 3 dB (A)

Το επίπεδο θορύβου κατά τη λειτουργία ενδέχεται να υπερβεί τα 80 dB (A).

Να φοράτε ωτοασπίδες.

Δόνηση

ENG904-2

Η συνολική τιμή δόνησης έχει καθοριστεί σύμφωνα με το EN60745:

Εκπομπή δόνησης (a_{rh}): 2,5 m/s² ή λιγότερο

Αβεβαιότητα (K): 1,5 m/s²

ENG901-1

- Η δηλωθείσα τιμή των παραγομένων κραδασμών έχει καταμετρηθεί σύμφωνα με την τυποποιημένη μέθοδο δοκιμασίας και μπορεί να χρησιμοποιηθεί για την σύγκριση ενός εργαλείου με ένα άλλο.
- Η δηλωθείσα τιμή των παραγομένων κραδασμών μπορεί επίσης να χρησιμοποιηθεί για μια προκαταρκτική αξιολόγηση της έκθεσης στους κραδασμούς.

ΠΡΟΕΙΔΟΠΟΙΗΣΗ:

- Η εκπομπή κραδασμών κατά τη διάρκεια της πραγματικής χρήσης του ηλεκτρικού εργαλείου μπορεί να διαφέρει από τη δηλωθείσα τιμή των εκπομπών, ανάλογα με τον τρόπο με τον οποίο χρησιμοποιείται το εργαλείο.
- Φροντίστε να λάβετε τα μέτρα ασφαλείας που απαιτούνται για την προστασία του χρήστη που βασίζονται σε μια εκτίμηση της έκθεσης σε πραγματικές συνθήκες χρήσης (λαμβάνοντας υπόψη όλα τα μέρη του κύκλου λειτουργίας, όπως είναι οι περιπτώσεις κατά τις οποίες το εργαλείο είναι απενεργοποιημένο και όταν λειτουργεί στο ρελαντί επιπροσθέτως του χρόνου κατά τον οποίο το εργαλείο βρίσκεται σε χρήση).

Για τις ευρωπαϊκές χώρες μόνο

ENH003-15

ΕΚ – Δήλωση συμμόρφωσης

Η Makita δηλώνει ότι το παρακάτω μηχάνημα(τα):

Όνομασία μηχανήματος:

Ασύρματο καρφωτικό πιστόλι

Αρ. Μοντέλου/Τύπος: DBN500

Συμμορφώνονται με τις ακόλουθες Ευρωπαϊκές

Οδηγίες:

2006/42/EK

Κατασκευάζονται σύμφωνα με το παρακάτω πρότυπο ή

τυποποιημένα έγγραφα:

EN60745, EN792

Το τεχνικό αρχείο σύμφωνα με την 2006/42/EK είναι διαθέσιμο από:

Makita, Jan-Baptist Vinkstraat 2, 3070, Belgium

28. 4. 2015



Yasushi Fukaya

Διευθυντής

Makita, Jan-Baptist Vinkstraat 2, 3070, Belgium

TÜRKÇE (Orijinal talimatlar)

Genel görünüm

1. Kırmızı gösterge
2. Düğme
3. Akü
4. Akü göstergesi
5. Yıldız işareti
6. Gösterge lambaları
7. Kontrol düğmesi
8. Çalıştırma düğmesi kilidi
9. Lock konumuna getirmek için
10. Free konumuna getirmek için
11. Mod seçim düğmesi
12. Sıralı mod
13. Devamlı mod
14. Ayar Düğmesi
15. Lamba
16. Çalıştırma düğmesi
17. Makine kılavuzu (temas elemanı)
18. Kilitleme mandalı
19. Sürgülü kapak
20. Makine kılavuzu
21. Hazne
22. Çiviler
23. Uç adaptörü
24. Çıkıntı
25. Orta plaka
26. Tutucu
27. Yuva
28. Kanca
29. Vida
30. Alyan anahtarı
31. Temas elemanını işparçasına dayayın.
32. Çalıştırma düğmesine basın.
33. Altıgen civata A
34. Altıgen civata B
35. Altıgen civata C
36. Makine kılavuz kapağı
37. Çivi
38. Nemli
39. Sıcak
40. Altıgen civata
41. İtirci
42. Bilezik
43. Yay (büyük)
44. Yay (küçük)
45. Durdurucu

TEKNİK ÖZELLİKLER


Model	DBN500	
Çivi boyutu	18Ga x 15, 20, 25, 30, 32, 35, 38, 40, 45, 50 mm	
Çivi haznesinin kapasitesi	100 parça	
Boyutlar (U x G x Y)	294 mm x 97 mm x 318 mm	
Anma gerilimi	D.C. 18 V	
Net ağırlık	3,3 kg	3,5 kg
Standart aküler	BL1815/BL1815N/BL1820/ BL1820B	BL1830/BL1840/BL1840B/ BL1850/BL1850B


- Sürekli yapılan araştırma ve geliştirmelerden dolayı, burada belirtilen özellikler önceden bildirilmeksizin değiştirilebilir.
- Özellikler ve akü ülkeye göre farklılıklar gösterebilir.
- EPTA Prosedürü 01/2003 uyarınca ağırlık (akü dahil)


Simgeler


END311-1

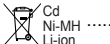
Makine için kullanılan simgeler aşağıda gösterilmiştir. Makineyi kullanmaya başlamadan önce bu simgelerin ne anlama geldiğini öğrenin.

 Kullanım kılavuzunu okuyun.

 Koruyucu gözlük kullanın.

 Kalıp veya merdiven üzerindeyken kullanmayın.

 Kazara çalışmasını önlemek için, makineyi kullanırken parmaklarınızı çalıştırma düğmesinden uzak tutun.

 Sadece AB ülkeleri için Elektrik cihazları ve piller ev çöpüyle birlikte atmayın! Elektrikli ve Elektronik Cihaz Atıkları, Piller ve Aküler ve PİL ve Akü Atıkları Hakkındaki Avrupa Yönergeleri ve bunların ulusal kanunlara göre uygulanışı uyarınca kullanım ömrünü

tamamlayan elektrikli cihazlar ve piller mutlaka ayrı olarak toplanmalı ve çevre şartlarına uygun bir geri dönüşüm tesisine gönderilmelidir.


Kullanım amacı

ENE073-1

Makine, iç tasarımı ve mobilyalar üzerine sabitleme yapılması için tasarlanmıştır.

Genel Elektrikli Aletler Güvenlik Uyarıları

GEA1010-1

 **UYARI** Tüm güvenlik uyarılarını ve tüm talimatları okuyun. Verilen uyarılara ve talimatlara uyulmaması elektrik çarpmasına, yangına ve/veya ciddi yaralanmalara yol açabilir.

Tüm uyarıları ve talimatları ileride başvurmak üzere saklayın.

AKÜLÜ ÇİVİ ÇAKMA MAKİNESİYLE İLGİLİ GÜVENLİK UYARILARI

GEB117-2

1. **Makinenin her zaman dolu olduğunu varsayın.** Çivi çakma makinesinin dikkatsiz şekilde taşınması

- durumunda çiviler beklenmedik şekilde basılarak, yaralanmalar meydana gelebilir.
2. **Makineyi kendinize veya başkalarına doğru çevirmeyin.** Çalıştırma düğmesinden yanlışlıkla basılması yaralanmalara neden olabilir.
 3. **Makineyi işparçasına sağlam şekilde dayamadan makineyi çalıştırmayın.** Makine işparçasına temas etmiyorsa, çiviler hedeften şaşabilir.
 4. **Makinede çivi sıkışması durumunda makinenin aküsünü çıkartın.** Sıkışan çiviler çıkartılırken çivi çakma makinesi yanlışlıkla çalıştırılabilir ve neticesinde yaralanmalar meydana gelebilir.
 5. **Sıkışan bir çiviği çıkartırken dikkatli olun.** Mekanizma basınç altında olabilir ve sıkışan çivi çıkartılmaya çalışılırken çivi sert şekilde sıçrayabilir. **Bu çivi çakma makinesini elektrik kablolarını sabitlemek için kullanmayın.** Bu makine, elektrik kablolarının sabitlenmesi için tasarlanmamıştır ve elektrik kablolarının yalıtımına zarar vererek, elektrik çarpmasına veya yangına neden olabilir.
 7. **Çalışma sırasında mutlaka kenarları kapalı koruyucu gözlük takın ve gerekli olması halinde koruyucu maske kullanın.**
 8. **Ellerinizi ve ayaklarınızı makinenin çivi çakma ucundan uzak tutun.**
 9. **Yağlama ve aksesuar değiştirmeye ilişkin talimatlara uygun hareket edin.**
 10. **Çivileri takarken, ayar, inceleme ve bakım çalışmaları sırasında ve çalışmanız sona erdiğinde aküyü mutlaka çıkartın.**
 11. **Çalışmaya başlamadan önce etrafta kimsenin olmadığından emin olun. Bir yüzeyi aynı anda hem iç, hem de dış tarafından çalıştırmeye çalışmayın. Bağlantı elemanları karşı tarafa geçerek veya sıçrayarak ciddi yaralanmalara neden olabilir.**
 12. **Çalışırken yere sağlam basın ve dengeyi koruyun. Yüksek yerlerde çalışırken altınızda kimsenin olmadığından emin olun.**
 13. **"Kalıp veya merdiven üzerindeki kullanmayın" simgesini taşıyan makineleri kesinlikle aşağıda örnekleri verilen özel uygulamalarda kullanmayın:**
 - bir tahrik konumundan diğerine değişimin, iskeleler, basamaklar, merdivenler veya çatı tahtaları gibi merdiven benzeri yapıların kullanılmasını içermesi,
 - kutuların veya sandıkların kapatılması ve
 - araçlardaki ve vagonlardaki taşıma emniyet sistemlerinin sabitlenmesi.
 14. **Çivilerin akımlı tellere, kablo taşıma kanallarına veya gaz borularına rastlaması sonucu meydana gelebilecek elektrik çarpması, gaz kaçağı, patlamalar vb. gibi olası tehlikeleri önlemek için çivileme yapılacak duvar, tavan, zemin, çatı vb. gibi yüzeyleri dikkatlice kontrol edin.**
 15. **Sadece bu kılavuzda belirtilen bağlantı elemanlarını kullanın. Başka bağlantı elemanlarının kullanılması makinenin arızalanmasına neden olabilir.**
 16. **Makineyi kurcalamayın ve çivileme dışında farklı amaçlar için kullanmayın.**
 17. **Makineyi içinde çivi olmadan çalıştırmayın. Aksi takdirde, makinenin kullanım ömrü kısalar.**
 18. **Makinede yanlış veya normal olmayan bir durum tespit ettiğinizde çalışmayı derhal durdurun.**

19. **Çivilerin delip geçebileceği veya fırlayabileceği malzemelere kesinlikle çivileme yapmayın.**
20. **İşparçasını çivilemeye hazır hale gelene kadar çalıştırma düğmesi ile emniyet mandalını aynı anda açmayın. İşparçasının emniyet mandalını bastırmasını bekleyin. Emniyet mandalını kilitleyerek veya elinizle bastırarak işlevsiz hale getirmeyin.**
21. **Emniyet mandalını kesinlikle kurcalamayın. Emniyet mandalının doğru çalışıp çalışmadığını sık sık kontrol edin.**
22. **Makineyi kullanmadığımızda içindeki bağlantı elemanlarını çıkartın.**

BU TALİMATLARI SAKLAYIN.



UYARI:

Ürünü kullanırken defalarca kullanmanızı getirdiği rahatsız ve tanıdıklık duygusunun, güvenlik kurallarına sıkı sıkıya bağlı kalmanızı önlemesine İZİN VERMEYİN. YANLIŞ KULLANIM veya bu kullanım kılavuzunda belirtilen güvenlik kurallarına uyulmaması ciddi yaralanmalara neden olabilir.

ÖNEMLİ GÜVENLİK TALİMATLARI

ENC007-9

AKÜ İÇİN

1. Aküyü kullanmaya başlamadan önce (1) akü şarj cihazı, (2) akü ve (3) akünün takıldığı ürüne ilişkin tüm talimatları ve uyarıları okuyun.
2. Aküyü sökmeye çalışmayın.
3. Çalışma süresinde önemli bir kısıtla gözlerseniz, hemen çalışmayı bırakın. Bu durum aşırı ısınmaya, yangına ve hatta patlamaya yol açabilir.
4. Elektrolit (akü sıvısı) gözlerinize temas ederse, bol temiz suyla yıkayın ve derhal bir doktora başvurun. Elektrolit körlüğe neden olabilir.
5. Akünün kısa devre yapmasını önleyin:
 - (1) Herhangi bir iletken nesne ile akü uçlarına dokunmayın.
 - (2) Aküyü çivi, madeni para vb. metal nesnelere bulunduğu bir yerde saklamayın.
 - (3) Aküyü suya veya yağmura maruz bırakmayın. Aküde oluşan kısa devre büyük bir elektrik akımına, aşırı ısınmaya, yangına ve aletin bozulmasına yol açabilir.
6. Aleti ve aküyü 50°C (122°F) sıcaklığa ulaşabilecek veya bu değeri aşabilecek ortamlarda saklamayın.
7. Önemli ölçüde hasar görmüş veya tümüyle tüketilmiş olsa da aküyü kesinlikle yakarak imha etmeye çalışmayın. Akü ateşe atıldığında patlayabilir.
8. Akünün düşmemesine ve darbe almamasına dikkat edin.
9. Hasarlı bir aküyü kesinlikle kullanmayın.
10. Akünün atılması sırasında ilgili yönetmeliklere uyun.

BU TALİMATLARI SAKLAYIN.

Akünün öngörülen maksimum ömrü dolana kadar kullanılması için öneriler

1. Aküyü tamamen boşalmasını beklemeden şarj edin.
Aletin çalışma gücünde bir azalma gördüğünüzde, mutlaka çalışmayı bırakıp, aküyü şarj edin.
2. Tam olarak şarj edilmiş bir aküyü tekrar şarj etmeyin.
Akünün normalden fazla şarj edilmesi ömrünün kısalır.
3. Aküyü 10°C - 40°C (50°F - 104°F) değerlerini aşmayan oda sıcaklığında şarj edin. Akü ısınmışsa, şarj etmeden önce soğumasını bekleyin.
4. Uzun (altı ayı aşkın) bir süredir kullanmıyorsanız aküyü şarj edin.

KULLANIMA İLİŞKİN TANIMLAR

⚠ DİKKAT:

- Makine üzerinde ayar veya başka bir kontrol işlemi yapmadan önce makinenin kapalı ve aküsünün çıkartılmış olduğundan emin olun.

Akünün takılması ve çıkartılması (Şekil 1)

⚠ DİKKAT:

- Aküyü takmadan veya çıkarmadan önce mutlaka makineyi kapalı konuma getirin.
- Aküyü takarken ve çıkartırken makineyi ve aküyü sıkıca tutun. Aksi takdirde, makine ve akü elinizden kayarak düşebilir ve neticesinde makine ve akü hasarları ve yaralanmalar meydana gelebilir.

Aküyü çıkarmak için akünün ön tarafında bulunan düğmeye bastırın ve aküyü çekerek makineden çıkartın. Aküyü takmak için aküdeki dili makine gövdesindeki yuvayla aynı hizaya getirin ve aküyü itererek yerine oturmasını sağlayın. Akünün tam yerine oturduğunu klik sesinden anlayabilirsiniz. Düğmenin üst tarafında bulunan kırmızı göstergesi görüyorsanız, akü tam olarak kilitlememiştir.

⚠ DİKKAT:

- Kırmızı gösterge tamamen kayboluncaya kadar aküyü itin. Aksi takdirde, akü makineden kayıp düşebilir ve operatörün veya çevredeki kişilerin yaralanmasına neden olabilir.
- Aküyü zorlayarak takmaya çalışmayın. Akünün makineye rahatça takılmaması, yanlış takıldığını gösterir.

Makine/akü koruma sistemi

Bu makinede bir makine/akü koruma sistemi mevcuttur. Bu sistem, makine ve akü ömrünü uzatmak için motora beslenen gücü otomatik olarak keser. Makine veya akü için aşağıda sıralanan durumlardan birinin geçerli olması halinde, çalışmayı otomatik olarak durdurur: Bu durumda göstergeler sabit yanmaya başlar. (Şekil 2)

Makine için aşırı ısınma koruması

Makine aşırı ısınmışsa, makine otomatik olarak durur ve gösterge yaklaşık 60 saniye boyunca yanıp söner. Böyle

bir durumda, makineyi tekrar açık konuma getirmeden önce makinenin soğumasını bekleyin.

Akü için aşırı ısınma koruması

Akü aşırı ısınmışsa, makine otomatik olarak durur ve pil göstergesi yaklaşık 60 saniye boyunca sabit yanar. Makine, çalıştırma düğmesine basılsa dahi çalışmaz. Böyle bir durumda, makineyi tekrar açık konuma getirmeden önce akünün soğumasını bekleyin.

NOT:

Akü aşırı ısınma koruması yalnızca üzerinde yıldız işareti bulunan akülerle çalışır. (Şekil 3)










Aşırı deşarj koruması

Kalan akü kapasitesi düştüğünde, gösterge yanıp sönmeye başlar. Kullanılmaya devam edilmesi halinde makine durur ve gösterge yaklaşık 60 saniye boyunca sabit yanar. Bu durumda aküyü şarj edin.

Kalan akü kapasitesinin kontrol edilmesi

(Yalnızca model numarasının sonunda "B" harfi içeren akülerde mevcuttur.) (Şekil 4)

Kalan akü kapasitesini görmek için akü üzerindeki kontrol düğmesine basın. Ardından, gösterge lambaları birkaç saniye yanar.

Gösterge lambaları			Kalan kapasite
 Açık	 Kapalı	 Yanıp söntüyor	
			%75 ile %100 arası
			%50 ile %75 arası
			%25 ile %50 arası
			%0 ile %25 arası
			Aküyü şarj edin.
			Akü bozulmuş olabilir.

015658

NOT:

- Gösterilen kapasite seviyesi, kullanım koşullarına ve ortam sıcaklığına bağlı olarak gerçek seviyeden bir miktar farklı olabilir.

Çalıştırma düğmesi kilidinin kullanımı

⚠ DİKKAT:

- Makine kullanılmıyorken ve kullanımdan sonra daima çalıştırma düğmesini çalıştırma düğmesi kilidiyle kilitleyin. (Şekil 5)

Makine, kazara çalıştırılmasına karşı önlem olarak bir çalıştırma düğmesi kilidi içerir. Çalıştırma düğmesi kilidi, çalıştırma düğmesini kilitlet ve makinenin atış yapmasını engeller.

Çalıştırma düğmesini kilitlemek için, kilitleme düğmesini "LOCK" (Kilitli) konumuna getirin.
Çivi çakmaya başlamadan önce, kilitleme düğmesini "FREE" (Açık) konumuna getirin. Kullanılmıyorken, daima "LOCK" (Kilit) konumuna getirin ve aküyü makineden çıkartın.

Çivi çakma modunun seçimi (Şekil 6)

Makinede iki farklı çivi çakma modu bulunur. Mod seçim düğmesini kullanarak istediğiniz çivi çakma modunu seçin. Daha ayrıntılı bilgi için, "ÇALIŞTIRMA" başlıklı bölüme bakın.

Kesikli çivi çakma (sıralı mod)

Bu mod dikkatli ve hassas çivi çakılmasını gerektiren işler için uygundur.

Devamlı/kesikli çivi çakma (devamlı mod)

Makine bu moda ayarlandığında, çalıştırma düğmesinin kademelerini kullanarak devamlı veya kesikli çivi çakma özelliğini seçebilirsiniz.

Çivi çakma derinliğinin ayarlanması

⚠ UYARI:

- Parmaklarınızın çalıştırma düğmesi üzerinde olmadığından ve akünün ve çivilerin makineden çıkartılmış olduğundan emin olun. (Şekil 7)

Daha sığ bir derinlik elde etmek için, ayar düğmesini şekilde gösterildiği gibi A yönüne çevirin. Daha yüksek bir derinlik elde etmek için ise ayar düğmesini B yönünde çevirin.

Ayar düğmesini çok fazla çevirmeyin, aksi takdirde ayar düğmesi sıkışabilir.

Lambanın açılması

⚠ DİKKAT:

- Lambaya veya ışık kaynağına doğrudan bakmayın. (Şekil 8)

Lambayı açık konuma getirmek için, çalıştırma düğmesine basın veya temas elemanını işparçasına dayayın. Kapatmak için ise çalıştırma düğmesini veya temas elemanını serbest bırakın.

Lamba, çalıştırma düğmesi serbest bırakıldıktan veya temas elemanı işparçasından ayrıldıktan 10 saniye sonra söner.

NOT:

- Lambanın lensindeki kiri silmek için kuru bir bez kullanın. Lensin çizilmemesine dikkat edin, aksi takdirde lambanın aydınlatma gücü azalır.
- Aküde çok az enerji kalsa bile lamba yanar, ancak çivi çakma makinesi çivi fırlatmayabilir. Bu durumda aküyü şarj edin.

KURULUM

⚠ DİKKAT:

- Çivi çakma makinesi üzerinde herhangi bir çalışma yapmadan önce parmağınızın çalıştırma düğmesi üzerinde olmadığından ve akünün ve çivilerin çıkartılmış olduğundan emin olun.

Çivilerin yüklenmesi ve boşaltılması

⚠ DİKKAT:

- Çivileri yüklemeye başlamadan önce, parmaklarınızın çalıştırma düğmesi üzerinde olmadığından ve akünün makineden çıkartılmış olduğundan emin olun.
- Çiviyle doluyken çivi çakma makinesinin sürgülü kapağını aniden hareket ettirmeyin. Çivilerin özellikle yüksek bir yerde çalışırken kazara dökülmesi yaralanmalara neden olabilir.
- Çivileri doğru yönde doldurun. Çivilerin yanlış yönde doldurulması, makinenin zamanından önce aşınmasına ve yıpranmasına ve diğer parçaların hasar görmesine neden olabilir.
- Makineye deforme olmuş ve kullanılmış çiviler takmayın. Bu kılavuzda belirtilen çivileri kullanın. Belirtilen çivilerden başka çivilerin kullanılması, çivilerin sıkışmasına ve çivi çakma makinesi parçalarının kırılmasına neden olabilir.

Kilitleme mandalına basın ve haznenin sürgülü kapağını açın. (Şekil 9)

Çivi şeridini, çivi uçları hazne boşluğunun tabanına temas edecek şekilde yerleştirin ve çivi şeridini fırlatma açıklığına doğru kaydırın.

Kilitleme mandalı kilitlene kadar sürgülü kapağı başlangıçtaki konumuna doğru çekin.

Çivileri çıkarmak için, kilitleme mandalına basın ve sürgülü kapağı kaydırın. Çivileri hazne boşluğundan çıkartın. (Şekil 10)

Uç adaptörü

⚠ DİKKAT:

- Uç adaptörünü takmadan önce, parmaklarınızın çalıştırma düğmesi üzerinde olmadığından ve akünün ve çivilerin makineden çıkartılmış olduğundan emin olun. (Şekil 11)

Kolay zarar görebilecek yüzeylere çivi çakarken uç adaptörü kullanın. Uç adaptörünü takmak için adaptörü, içerisindeki çıkıntı makine kılavuz kapağındaki yuvaya karşılık gelecek şekilde orta plaka üzerine yerleştirin. Kullanmadığınızda kaybetmemek için uç adaptörünü sürgülü kapağın arka ucundaki tutucuda muhafaza edin. Bu şekilde toplam iki adet uç adaptörü saklanabilir.

Kanca

⚠ DİKKAT:

- Kancayı kullanmaya başlamadan önce, parmaklarınızın çalıştırma düğmesi üzerinde olmadığından ve akünün ve çivilerin makineden çıkartılmış olduğundan emin olun.
- Makine kancasını kemerinize asmayın. Çivi çakma makinesinin, kancanın kazara yerinden çıkması sonucu yere düşmesi makinenin istem dışı çalışmasına ve dolayısıyla yaralanmalara neden olabilir. (Şekil 12)

Kanca, makinenin kısa süreli asılması için kullanılabilir.

Kanca makinenin her iki tarafına da takılabilir.

Kancayı takmak için, makine gövdesinin her iki tarafında bulunan yuvalardan birine kancayı yerleştirin ve vidayla sabitleyin. Kancayı çıkartmak için vidayı gevşetin ve kancayı çekerek çıkartın. (Şekil 13)

Alyan anahtarının saklanması (Şekil 14)

Alyan anahtarı kullanılmadığında, kaybolmaması için şekilde gösterildiği gibi saklanmalıdır.

ÇALIŞTIRMA

Açma/kapama işlevinin kontrolü

⚠ DİKKAT:

- Her çalışma öncesinde açma/kapama işlevinin sorunsuz çalıştığından emin olun. Aşağıda belirtilen sorunlarla karşılaşırsanız, onarım için Makita Yetkili Servis Merkezlerine danışın.
- Aküyü makineye takmadan önce, mutlaka çalışma düğmesinin kusursuz çalıştığını ve çalıştırma düğmesi bırakıldığında makinenin "OFF" (Kapalı) konuma döndüğünü kontrol edin.

Makine kesinlikle yalnızca çalıştırma düğmesine basılarak veya yalnızca temas elemanı işparçasına dayanılarak çalıştırılmamalıdır.

Çivi çakma

⚠ DİKKAT:

- Çalıştırma düğmesine basmadan önce öncelikle temas elemanının işparçasına dayandığından emin olun. "Çivi çakma modunun seçimi" başlıklı bölümde belirtildiği gibi, mod seçim düğmesine basarak çivi çakma modunu seçin.

Kesikli çivi çakma (sıralı mod) (Şekil 15)

Bir çivi çakmak için, kilitleme düğmesini "FREE" (Açık) konumuna getirin. Temas elemanını işparçasına dayayın ve ardından çalıştırma düğmesine basın. Her işlem sonrasında çalıştırma düğmesini serbest bırakın.

Devamlı/ kesikli çivi çakma (devamlı mod) (Şekil 16)

Makine, devamlı moda ayarlandığında, devamlı veya kesikli çivi çakma özelliğini seçebilirsiniz.

Bir çivi çakmak için, kilitleme düğmesini "FREE" (Açık) konumuna getirin.

- Devamlı çivi çakma için, öncelikle çalıştırma düğmesine basın ve ardından temas elemanını işparçasına dayayın. Bir sonraki işlem için, çalıştırma düğmesini serbest bırakmanıza gerek yoktur.
- Kesikli çivi çakma için, temas elemanını işparçasına dayayın ve ardından çalıştırma düğmesine basın. Bir sonraki işlem için, öncelikle çalıştırma düğmesini serbest bırakmanız gerekir.

NOT:

- Bu makine aşağıda sıralanan durumlarda otomatik olarak durur:
 - Makine işlemi tamamen bitirmeden önce çalıştırma düğmesinin serbest bırakılması veya temas elemanının işparçasından çekilmesi.
- Bu durumda makine, bekleme konumuna geçene kadar çalıştırma düğmesini basılı tutun.
- Yaklaşık 5 saniye boyunca başka bir işlem yapılmaksızın çalıştırma düğmesinin basılı tutulması veya temas elemanının işparçasına dayalı şekilde bırakılması.
- Bu durumda, çalışmayı yeniden başlatmak için çalıştırma düğmesini serbest bırakın veya temas elemanını işparçasından çekin.

Boş ateşleme önleme mekanizması

Bu makinede bir boş ateşleme önleme mekanizması mevcuttur. Kalan çiviler bittiğinde çivi çakma işlemi otomatik olarak durdurur. Bu durumda, çalışmaya devam edebilmek için daha fazla çivi yükleyin.

Sıkışan çivilerin çıkartılması

⚠ UYARI:

- Sıkışan çivileri çıkarmaya başlamadan önce çalıştırma düğmesinin serbest bırakıldığından ve akünün ve çivilerin çıkartıldığından emin olun.

Makine kılavuz kapağını sabitleyen altıgen civataları Alyan anahtarıyla sökün.

Ardından, sıkışan çivileri açığa çıkan çivi kılavuz yuvasından alın.

Makine kılavuz kapağını altıgen civataları doğru sırada takarak sabitleyin. Altıgen civataları A, B ve C sırasıyla sıkın. (Şekil 17)

NOT:

- Makine kılavuz kapağını sabitledikten sonra, makine kılavuz kapağının doğru şekilde yerine oturduğunu mutlaka kontrol edin. Doğru şekilde yerine oturmamışsa, altıgen civataları sökün ve makine kılavuz kapağını tekrar takın.

Çiviler (Şekil 18)

Çivileri ve kutularını dikkatli bir şekilde tutun ve taşıyın. Çiviler yanlış taşınırsa, şekilleri bozularak veya bağlantı yerleri kırılarak çivi besleme işlemi aksatılabilir.

Çivileri çok nemli ve sıcak veya doğrudan güneş ışığına maruz kalan yerlerde saklamayın. (Şekil 19)

BAKIM

⚠ DİKKAT:

- Makine üzerinde kontrol veya bakım işlemlerine başlamadan önce mutlaka makinenin kapalı ve akünün ve çivilerin çıkartılmış olduğundan emin olun.
- Kesinlikle gazolin, benzin, tiner, alkol veya benzeri bir madde kullanmayın. Aksi takdirde renk bozulması, deformasyon veya çatlaklar meydana gelebilir.

Haznenin temizlenmesi

Haznedeki itirici toz, kum, talaş veya yabancı maddeler nedeniyle sorunsuz şekilde hareket etmiyorsa, hazneyi temizleyin.

Sürgülü kapağı çıkarmak için, hazne üzerindeki altıgen civatayı gevşetin. (Şekil 20)

İtiriciyi sürgülü kapaktan çekin ve ardından durdurucuyu, bilezikleri ve yayları sökün.

Temizledikten sonra tüm parçaları sürgülü kapağı geri takın. Bu parçaları takmak için, aşağıdaki prosedürü takip edin. (Şekil 21)

- Büyük yayı sürgülü kapağa takın.
- Parçaları bilezik, küçük yay ve ardından durdurucu olmak üzere itiriciye doğru sırada takın.
- İtiriciyi diğer parçalarla birlikte sürgülü kapağa takın.

NOT:

- İtiriciyi sürgülü kapaktan dışarı çektiğinizde, sürgülü kapaktaki parçalar fırlayabilir.

- İttiriciyi diğer parçalarla birlikte sürgülü kapağa taktığınızda, ittirici ile bilezikler arasında küçük boşluklar meydana gelebilir.

Ürünün EMNİYETLİ ve GÜVENİLİR durumda kalmasını sağlamak için tüm onarımlar, bakım ve ayarlar Makita yetkili servisleri veya fabrika servis merkezleri tarafından Makita yedek parçaları kullanılarak yapılmalıdır.

OPSİYONEL AKSESUARLAR

⚠ DİKKAT:

- Bu kullanım kılavuzunda tanıtilan Makita marka makineyle aşağıdaki aksesuarların ve parçaların kullanılması önerilir. Bunların dışında başka aksesuarların veya parçaların kullanılması yaralanmalara yol açabilir. Aksesuarlar ve parçalar doğru şekilde ve öngöröldükleri işlevler için kullanılmalıdır.

Aksesuarlara ilişkin daha ayrıntılı bilgi almak için size en yakın yetkili Makita servisine başvurabilirsiniz.

- Çiviler
- Orijinal Makita aküsü ve şarj cihazı
- Koruyucu gözlük

NOT:

- Listedeki bazı parçalar makineyle birlikte standart aksesuar olarak verilebilir. Ürünle verilen aksesuarlar ülkeden ülkeye farklılıklar gösterebilir.

Gürültü ENG905-1
EN60745 uyarınca belirlenen tipik A ağırlıklı gürültü seviyesi:

Ses basıncı seviyesi (L_{pA}): 79 dB (A)
Belirsizlik (K): 3 dB (A)

Çalışma sırasında gürültü seviyesi 80 dB (A)'yı aşabilir.
Koruyucu kulaklık takın.

Titreşim ENG904-2
EN60745 uyarınca belirlenen toplam titreşim değeri:

Titreşim emisyonu (a_h): 2,5 m/san² veya daha düşük
Belirsizlik (K): 1,5 m/san²

ENG901-1

- Belirtilen titreşim emisyonu değeri, standart test yöntemine göre ölçülmüştür ve makinenin diğer makinelerle karşılaştırılması için kullanılabilir.
- Belirtilen titreşim emisyonu değeri ayrıca maruziyetin ön değerlendirilmesinde de kullanılabilir.

⚠ UYARI:

- Elektrikli aletin gerçek kullanımı sırasında ortaya çıkacak titreşim emisyonu, aletin kullanıma şekline bağlı olarak belirtilen emisyon değerinden farklı olabilir.
- Gerçek kullanım koşullarındaki maruziyeti tahmin ederek (örneğin, aletin açılma süresine ek olarak kapalı konuma getirildiği ve rölatide çalıştığı süreler gibi çalışma döngüsünün tüm bileşenlerini dikkate alın), kullanıcıyı korumak için gerekli güvenlik önlemlerinin alındığından emin olun.

Yalnızca Avrupa ülkeleri için

AT Uygunluk Beyanı

Makita aşağıdaki Makine(ler) ile ilgili şu hususları beyan eder:

Makinenin Adı:

Akülü Çivi Çakma Makinesi

Model Numarası/Tipi: DBN500

Şu Avrupa Yönergelerine uygundur:

2006/42/EC

Şu Standartlara veya standartlaştırılmış belgelere uygun olarak üretilmiştir:

EN60745, EN792

2006/42/EC'ye uygun Teknik dosyaya şu adresten ulaşılabilir:

Makita, Jan-Baptist Vinkstraat 2, 3070, Belçika

28. 4. 2015



Yasushi Fukaya
Müdür

Makita, Jan-Baptist Vinkstraat 2, 3070, Belçika

Makita Jan-Baptist Vinkstraat 2, 3070, Belgium
Makita Corporation Anjo, Aichi, Japan

885334A997

www.makita.com

ALA